

**MILBANK**<sup>®</sup>  
ENERGY AT WORK



# EVERGY SERVICE AREA

**Meter Mounting Equipment**



Meter mounting  
equipment approved  
for use within the Evergy  
utility service area.

# Milbank Overview

## Energy At Work Since 1927

Milbank designs and manufactures electrical solutions that move and manage power for the residential, commercial, industrial, utility and transportation sectors. With nearly a century of expertise in electrical engineering design and manufacturing, Milbank's portfolio includes metering equipment, enclosures and enclosed controls. Founded in 1927, Milbank is a family-owned, American manufacturer headquartered in Kansas City, Mo. For more information, please visit [milbankworks.com](http://milbankworks.com).



### Metering

Milbank has been a market leader in electrical metering equipment, setting the standard in quality, for 95 years and counting. There are hundreds of available configurations, including a range of sizes as well as various knockout, terminals and bypass options. Products also have a variety of selections for hubs, locks and connectors. Milbank has the socket you need with thousands of active products to meet your utility's requirements.



### Enclosures

Milbank's line of enclosures include commercial junction boxes, panel mount enclosures, transformer cabinets, wireways and troughs. Enclosures are designed to meet or exceed industry standards. Each one is constructed with high-quality materials and built with superior craftsmanship. Each unit is engineered to protect controls and equipment from dust, dirt and other harmful elements, based on various NEMA ratings.



### Enclosed Controls

Milbank doesn't just build empty enclosures, we can design and craft the entire package. Our enclosed controls are custom control equipment, engineered and built to your exact specifications. Milbank enclosed controls are an attractive, secure, easy-to-install and cost-effective solution. These units can replace unsightly and insufficient strut and backboard structures when underground remote site power distribution and control equipment is required.



Please consult serving utility for their requirements prior to ordering or installing. Specifications and approvals vary by utility, and may require local electrical inspector approval. All installations must be installed by a licensed electrician and must comply with all national and local codes, laws and regulations. Milbank reserves the right to make changes in specifications and features shown without notice or obligation.

## Air Conditioner & Hot Tub Disconnects

30-60 Amps AC Disconnects .....	6
60 Amps AC Disconnect with 20 Amps GFCI Receptacle.....	7
Hot Tub Disconnects.....	8

## Single Position Sockets

100 Amps, 4 Terminals, Ringless, Solar Sockets .....	9
100-200 Amps, 5 Terminals, Ringless .....	10
200 Amps, 5-7 Terminals, Lever Bypass, Ringless .....	11
320 Amps, 5-7 Terminals, Lever Bypass, Ringless.....	12

## Meter Mains

200 Amps, 5 Terminals, Lever Bypass, Ringless .....	13
150-200 Amps, 7 Terminals, Lever Bypass, Ringless .....	14

## Meter Mains with Lever Bypass

320 Amps, 4-7 Terminals, Lever Bypass, Ringless .....	15
320 Amps, 5 Terminals, Lever Bypass, Ringless.....	16
400 Amps, 7 Terminals, Lever Bypass, Ringless .....	17

## Meter Mains with Load Center

100-200 Amps, 5 Terminals, with Load Center, Horn Bypass, Ringless .....	18
100-200 Amps, 5 Terminals, with Load Center, Lever Bypass, Ringless.....	19
320 Amps, 5 Terminals, with Load Center, Lever Bypass, Ringless.....	20

## Cold Sequence Meter Mains

200 Amps, 4-7 Terminals, Ringless .....	22-23
---	-------

## Multi-Position Sockets

150-200 Amps, 5 Terminals, Ringless.....	24-25
--	-------

## Multi-Position Sockets with Lever Bypass

200 Amps, 5 Terminals, Ringless.....	26
200 Amps, 7 Terminals, Ringless.....	27

## Multi-Position Meter Mains

125-200 Amps, 5 Terminals, Ringless.....	28-29
200 Amps, 4 Terminals, Ringless, Lever Bypass .....	30-32

Please consult serving utility for their requirements prior to ordering or installing. Specifications and approvals vary by utility, and may require local electrical inspector approval. All installations must be installed by a licensed electrician and must comply with all national and local codes, laws and regulations. Milbank reserves the right to make changes in specifications and features shown without notice or obligation.



## Transformer Rated

Current Transformer Cabinets .....	33-34
------------------------------------	-------

## Pedestals

100-200 Amps, 5 Terminals, Meter Main with Load Center, Ringless .....	35
100-200 Amps, 5 Terminals, Meter Main with Load Center, Ringless .....	36

## Temporary Power Units

125 Amps, 4 Terminals, Ringless .....	37
---------------------------------------	----

## Tap Box

3 Phase .....	38-39
---------------	-------

## Surface and Pedestal Mount Power Outlets

125 Amps, 4 Terminals, Surface-Mount .....	40-41
Replacement Receptacle Parts .....	42
Lighting Accessories .....	43
Telecom and Pedestal Accessories .....	44
Pedestal Mounting Accessories .....	45
Metering and Receptacle Accessories .....	46

## Miscellaneous

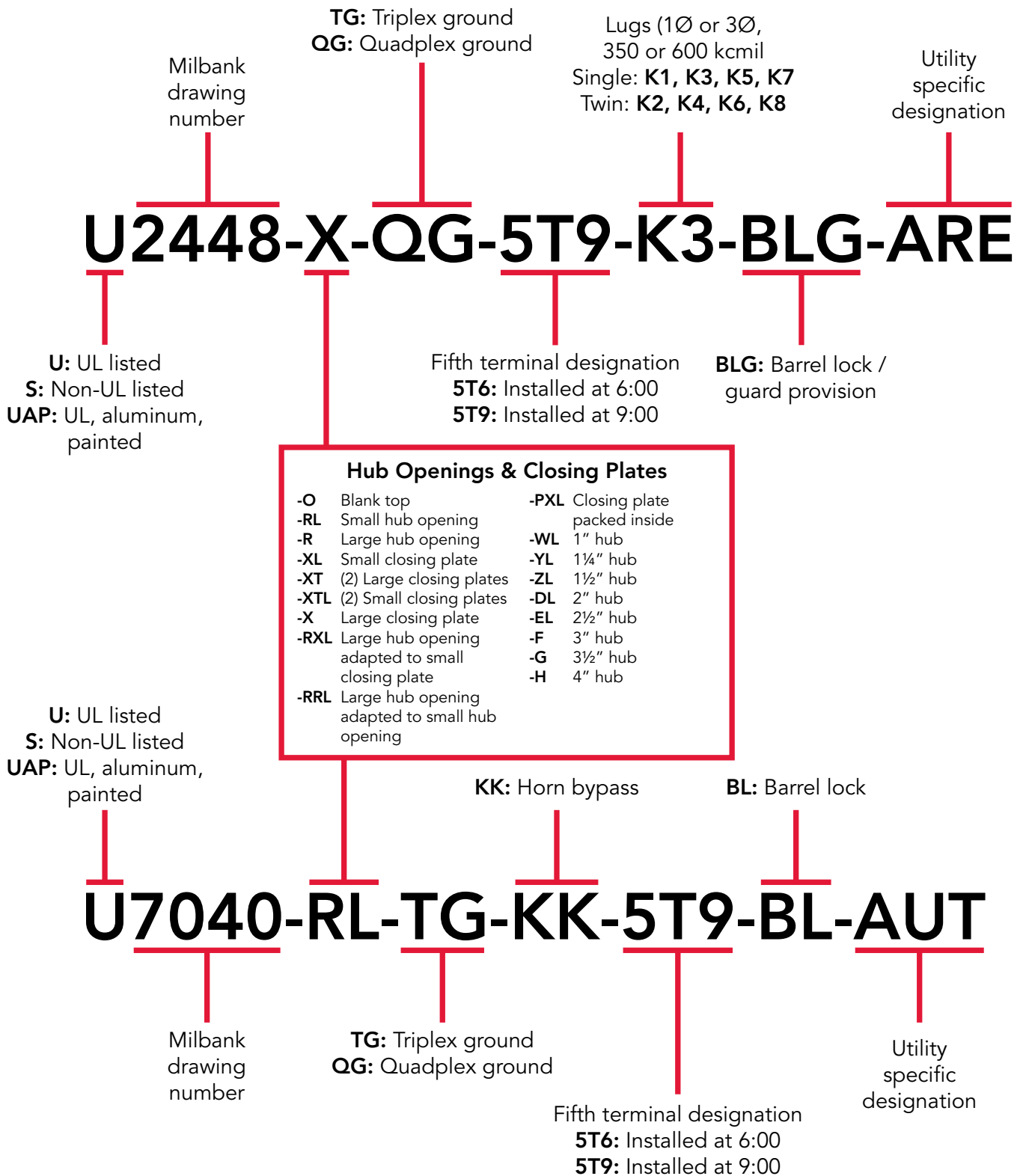
Replacement Parts for Millennium Series .....	47
Unmetered Load Centers .....	48
Breaker Enclosure .....	49
Circuit Breakers .....	50
Accessories .....	51-54
Meter Forms Reference Information .....	55
Conduit, Ampacity, and SCCR .....	56
Energization of Electrical Equipment .....	57
Materials and Finishes .....	58
Wathour Meter Forms .....	59
Standard NEMA Configurations .....	60
Enclosed Controls .....	61-70
NEMA Enclosures .....	71
Index .....	72-73



Please consult serving utility for their requirements prior to ordering or installing. Specifications and approvals vary by utility, and may require local electrical inspector approval. All installations must be installed by a licensed electrician and must comply with all national and local codes, laws and regulations. Milbank reserves the right to make changes in specifications and features shown without notice or obligation.

# Catalog Number Logic

How Product Catalog Numbers are Derived



Please consult serving utility for their requirements prior to ordering or installing. Specifications and approvals vary by utility, and may require local electrical inspector approval. All installations must be installed by a licensed electrician and must comply with all national and local codes, laws and regulations. Milbank reserves the right to make changes in specifications and features shown without notice or obligation.



# 6

# Air Conditioner Disconnects

30-60 Amps | Fusible and Non-Fusible



U3802



U3812



U3832

Milbank's air conditioner disconnect features a removable hinged cover for easy installation. Our compact design meets NEC wiring space requirements and also complies with NEC Article 440-14. To ensure safe working conditions, our disconnect pullers can be removed and reinstalled in the OFF position. Additionally, padlock provisions are included on the front cover. Like other Milbank products, our enclosure is constructed of G90U galvanized steel and electrostatically finished with an attractive, light gray baked powder coating. Our epoxy/polyester resin blend provides a durable and fade-resistant finish.

### 30-60 Amps | Air Conditioner Disconnects | 1Ø 240V

Catalog Number	Amps	Type	Max H.P.	Weight (lbs.)	Line/Load Wire Range		Ground Wire Range CU/AL	Dimensions			Wire Rating	
					CU	AL		D"	W"	H"	CU °C	AL °C
U3802	60	Non-Fusible	10	3.25	#14-#2	#12-#2	#14-4	2 1/2	5	7 1/2	60°/75°	60°/75°
U3812	60	Non-Auto	10	3.25	#14-#2	#12-#2	#14-4	2 1/2	5	7 1/2	60°/75°	60°/75°
U3832	30	Fusible	3	2.5	#14-#3	#14-#3	#14-3	2 1/8	5	7	60°/75°	60°/75°
U3862	60	Fusible	10	3.3	#14-#3	#14-#3	#14-3	2 1/8	5	9	60°/75°	60°/75°

### Notes

- UL-listed as Enclosed Pullout Switch
- NEMA 3R
- Weather-resistant
- One-inch concentric knockouts



Please consult serving utility for their requirements prior to ordering or installing. Specifications and approvals vary by utility, and may require local electrical inspector approval. All installations must be installed by a licensed electrician and must comply with all national and local codes, laws and regulations. Milbank reserves the right to make changes in specifications and features shown without notice or obligation.

# Air Conditioner Disconnects

60 Amps | With 20 Amps GFCI Receptacle



U3822-20GWR

## Specifications

- Meets NEC #406.8 requirements
- Meets NEC #210.63 requirements
- UL-listed as Power Outlet
- NEMA 3R
- In-use cover\*
- Duplex ground connector
- One-inch concentric knockouts
- 1Ø, 240V
- 60 Amps, non-fused
- 20 Amps GFCI receptacle
- Reset/test button
- Weather and tamper resistant

## 60 Amps | Air Conditioner Disconnect with 20 Amps GFCI Receptacle | 1Ø, 240V

Catalog Number	Type	Max H.P.	Weight (lbs.)	Line/Load Wire Range		Ground Wire Range CU/AL	Dimensions			Wire Rating	
				CU	AL		D"	W"	H"	CU °C	AL °C
U3822-20GWR	Non-Fusible	10	6	#14-#2	#12-#2	#14-4	4 <sup>4</sup> / <sub>5</sub>	5 <sup>1</sup> / <sub>4</sub>	7 <sup>3</sup> / <sub>5</sub>	60°/75°	60°/75°

## Notes

- **Disconnect pullouts:** To ensure the safest conditions, Milbank disconnect pullouts are reversible so they may be reinstalled in the OFF position.
  - **Padlock provision:** All units are designed with a padlock provision on the cover for security.
- \*Rated as an in-use cover (cover may be closed with cords plugged into receptacle).

Please consult serving utility for their requirements prior to ordering or installing. Specifications and approvals vary by utility, and may require local electrical inspector approval. All installations must be installed by a licensed electrician and must comply with all national and local codes, laws and regulations. Milbank reserves the right to make changes in specifications and features shown without notice or obligation.





U4881-O-50GB



U4881-O-60GB

### Specifications

- 240V ground fault protection
- UL-listed, NEMA 3R weather-resistant
- Two-pole, 50 or 60 Amps GFCI breaker protection
- Compact size
- Three or four wire installation
- 1Ø, 120/240V
- Standard package of 12
- Two extra one-pole breaker spaces
- 100 Amps overall rating
- Easy to install

### 100 Amps | Hot Tub Disconnect or Sub Panel Breaker Enclosure | NEMA 3R

Catalog Number	Breaker Amps	Type	Weight (lbs.)	Line/Load Wire Range		Ground Wire Range CU/AL	Dimensions		
				CU	AL		D"	W"	H"
U4881-O	-	Breaker Provision	7	#14-1/0	#14-1/0	#14-1/0	3 ¾	7 ½	8 ½
U4881-O-50GB	50	Breaker	8	#14-1/0	#14-1/0	#14-1/0	3 ¾	7 ½	8 ½
U4881-O-60GB	60	Breaker	8	#14-1/0	#14-1/0	#14-1/0	3 ¾	7 ½	8 ½



Please consult serving utility for their requirements prior to ordering or installing. Specifications and approvals vary by utility, and may require local electrical inspector approval. All installations must be installed by a licensed electrician and must comply with all national and local codes, laws and regulations. Milbank reserves the right to make changes in specifications and features shown without notice or obligation.

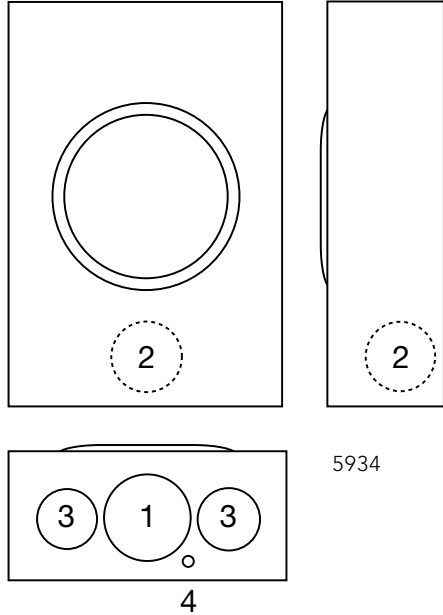


# Single Position Solar Socket

100 Amps | 4 Terminals | 600V



U5934-XL-BLG



100 Amps | 4 Terminals | Integral Isolated Neutral Option

Catalog Number	Socket Type	Service	Hub	Connectors CU/AL		Dimensions			Knockouts			
				Line	Load	D"	W"	H"	1	2	3	4
U5934-XL-BLG	Ringless	OH/UG	C.P.	#12-1/0	#12-1/0	3 <sup>5</sup> / <sub>16</sub>	8	11 <sup>1</sup> / <sub>2</sub>	2	1 <sup>1</sup> / <sub>2</sub>	1 <sup>1</sup> / <sub>4</sub>	1 <sup>1</sup> / <sub>4</sub>

Notes

- **-BLG:** Provision for barrel lock guard. Includes knockout and angle bracket.
- **Hubs:** Accepts standard meter socket hubs.
- **Construction:** Units are NEMA 3R for durable outdoor use, lockable and sealable.
- **Connectors:** Connectors will accept #12-1/0 conductors.

Please consult serving utility for their requirements prior to ordering or installing. Specifications and approvals vary by utility, and may require local electrical inspector approval. All installations must be installed by a licensed electrician and must comply with all national and local codes, laws and regulations. Milbank reserves the right to make changes in specifications and features shown without notice or obligation.

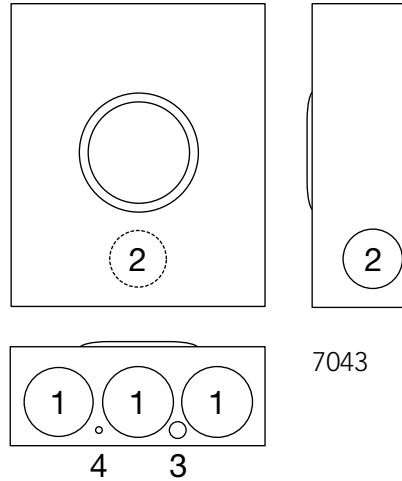


# Single Position Socket

100-200 Amps | 5 Terminals | Ringless | 240V



U7043-XL-TG-KK-IL-5T9W



7043

100-200 Amps | 5 Terminals | Horn Bypass | Residential

Catalog Number	Amps	Phase	Application	Connectors CU/AL	Dimensions			Knockouts			
					D"	W"	H"	1	2	3	4
U7043-XL-TG-KK-IL-5T9W	100	1Ø3W or 3Ø3W	OH/UG	#6-350	4 <sup>21</sup> / <sub>25</sub>	13	15 <sup>1</sup> / <sub>2</sub>	3	2 <sup>1</sup> / <sub>2</sub>	1 <sup>1</sup> / <sub>2</sub>	1 <sup>1</sup> / <sub>4</sub>
U7043-XL-TG-KK-IL-5T9W	200	1Ø3W or 3Ø3W	OH/UG	#6-350	4 <sup>21</sup> / <sub>25</sub>	13	15 <sup>1</sup> / <sub>2</sub>	3	2 <sup>1</sup> / <sub>2</sub>	1 <sup>1</sup> / <sub>2</sub>	1 <sup>1</sup> / <sub>4</sub>

## Notes

- **Hubs:** For proper hub selection, see the hub suffix chart on the accessories page.
- **Fifth terminal:** Factory-installed at 9 o'clock position.
- **Bypass:** The horn-type bypass is factory-installed. This permits changing and testing of the meter without interrupting customer service when used with utility-supplied jumpers.
- **480V services:** For all self-contained 480V services, please refer to Evergy Electric Service Standards for socket specifications.



Please consult serving utility for their requirements prior to ordering or installing. Specifications and approvals vary by utility, and may require local electrical inspector approval. All installations must be installed by a licensed electrician and must comply with all national and local codes, laws and regulations. Milbank reserves the right to make changes in specifications and features shown without notice or obligation.

# Single Position Lever Bypass

1 1

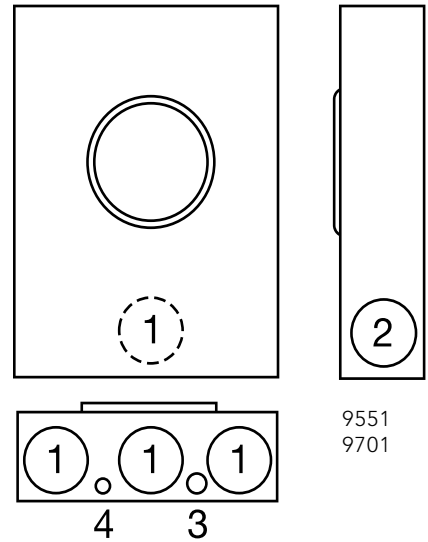
200 Amps | 5-7 Terminals | Ringless | 600V



U9551-RXL-5T9-IL



U9701-XL-IL



9551  
9701

200 Amps | 5-7 Terminals | Lever Bypass | Ringless | Commercial

Catalog Number	Terminal	Service	Hub	Connectors CU/AL	Phase	Dimensions			Knockouts			
						D"	W"	H"	1	2	3	4
U9551-RXL-5T9-IL	5	OH/UG	C.P.	#6-350	1Ø3W or 3Ø3W	4 <sup>21/25</sup>	13	19	3	2½	½	¼
U9701-XL-IL	7	OH/UG	C.P.	#6-350	3Ø4W	4 <sup>7/8</sup>	13	19	3	2½	¼, ½	¼

## Notes

- **Hubs:** For proper hub selection, see the hub suffix chart on the accessories page.
- **Connectors:** Extruded aluminum connectors are tin plated. See accessories page for lug kits.
- **Bypass:** The lever operates bypass device and supplies clamping action to meter spades.
- **480V services:** For all self-contained 480V services, please refer to Evergy Electric Service Standards for socket specifications.

\* U9551 unit includes removable bonding strap for isolated neutral.

Please consult serving utility for their requirements prior to ordering or installing. Specifications and approvals vary by utility, and may require local electrical inspector approval. All installations must be installed by a licensed electrician and must comply with all national and local codes, laws and regulations. Milbank reserves the right to make changes in specifications and features shown without notice or obligation.

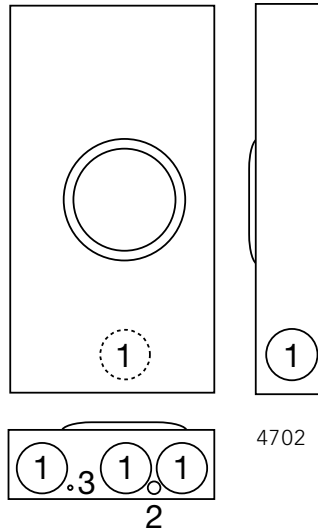


# Single Position Lever Bypass

320 Amps | 5-7 Terminals | Ringless | 600V



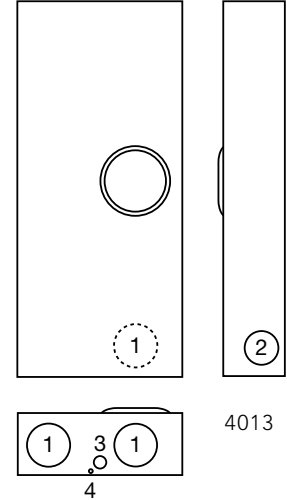
U4702-X-5T9-K3-K2-IL



4702



U4013-X-2/K7-IL



4013

320 Amps | 5 and 7 Terminals | Ringless | Lever Bypass | 600V | Residential and Commercial

Catalog Number	Terminals	Phase	Application	Connectors CU/AL		Dimensions			Knockouts			
				Line	Load	D"	W"	H"	1	2	3	4
U4702-X-5T9-K3-K2-IL*	5	1Ø3W or 3Ø3W	OH/UG	#4-600 or (2) 1/0-250MCM	Twin-#6-350	4 <sup>2</sup> / <sub>25</sub>	15	28 <sup>1</sup> / <sub>4</sub>	3	3	1 <sup>1</sup> / <sub>2</sub>	1 <sup>1</sup> / <sub>4</sub>
U4013-X-2/K7-IL	7	3Ø4W	OH/UG/SW	#4-600 or (2) 1/0-250MCM	#4-600 or (2) 1/0-250MCM	6 <sup>1</sup> / <sub>2</sub>	17 <sup>3</sup> / <sub>4</sub>	40 <sup>1</sup> / <sub>2</sub>	4	3	1	1 <sup>1</sup> / <sub>4</sub>

## Notes

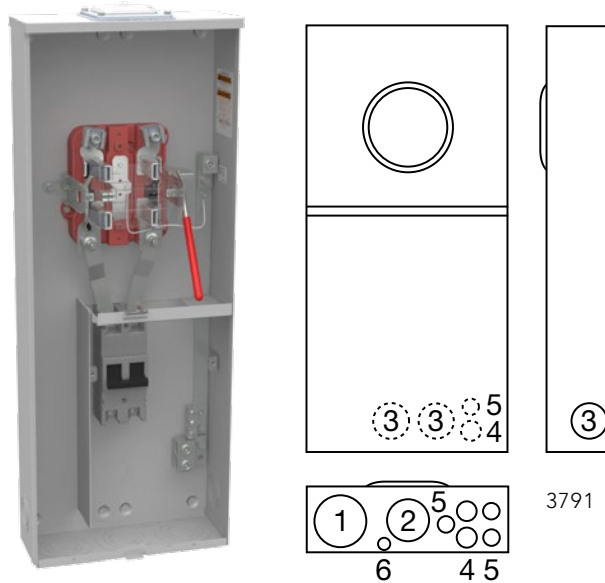
- **Hubs:** For proper hub selection, see the hub suffix chart on the accessories page.
  - **Connectors:** Extruded aluminum connectors are tin plated. See accessories page for lug kits.
  - **Bypass:** The lever operates bypass device and supplies clamping action to meter spades.
- \*For external breaker disconnect options for the **U4702**, see page 48.



Please consult serving utility for their requirements prior to ordering or installing. Specifications and approvals vary by utility, and may require local electrical inspector approval. All installations must be installed by a licensed electrician and must comply with all national and local codes, laws and regulations. Milbank reserves the right to make changes in specifications and features shown without notice or obligation.

# Meter Mains

200 Amps | 5 Terminals | Lever Bypass | Ringless | 240V  
 NEC 2020 Compliant



U3791NRXL200IL5T9WEVE

200 Amps | 5 Terminals | Lever Bypass | 120/240V | Commercial

Catalog Number	Service	Hub	Connectors CU/AL – Line	Load Side	Dimensions			Knockouts					
					D"	W"	H"	1	2	3	4	5	6
U3791NRXL100IL5T9WEVE	OH/UG	C.P.	#6-350	CB	4½	14⅛	30	3	2½	2	1	½,¾	¼,½
U3791NRXL150IL5T9WEVE	OH/UG	C.P.	#6-350	CB	4½	14⅛	30	3	2½	2	1	½,¾	¼,½
U3791NRXL200IL5T9WEVE	OH/UG	C.P.	#6-350	CB	4½	14⅛	30	3	2½	2	1	½,¾	¼,½

## Notes

- **Hubs:** For proper hub selection, see the hub suffix chart on the accessories page.
- **Bypass:** The lever bypass on the **U3791N** supplies clamping action on the meter spades and also operates the bypass device (heavy duty).
- **Connectors:** Extruded aluminum connectors are tin plated.

Please consult serving utility for their requirements prior to ordering or installing. Specifications and approvals vary by utility, and may require local electrical inspector approval. All installations must be installed by a licensed electrician and must comply with all national and local codes, laws and regulations. Milbank reserves the right to make changes in specifications and features shown without notice or obligation.

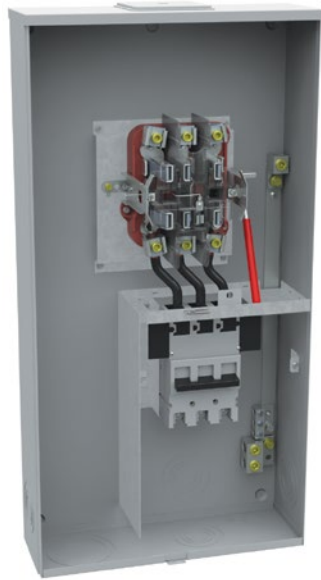


# 1 4

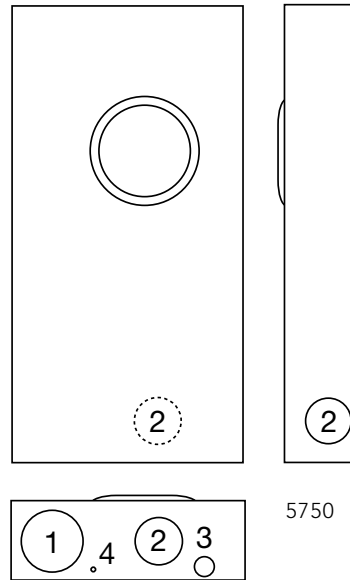
# Meter Mains

150-200 Amps | 7 Terminals | Lever Bypass | Ringless | 240V

NEC 2020 Compliant



U5750-RXL-200-IL-EVE



5750

150-200 Amps | 7 Terminals | Lever Bypass | 120/240V | Commercial

Catalog Number	Amps	OH/UG	Phase	Connectors CU/AL – Line	Dimensions			AIC	Knockouts			
					D"	W"	H"		1	2	3	4
U5750-RXL-150-IL-EVE	150	OH/UG	3Ø4W	#6-350	5¾	17¾	34	10K	4	1	1	¼
U5750-RXL-200-IL-EVE	200	OH/UG	3Ø4W	#6-350	5¾	¾	34	10K	4	1	1	¼

## Notes

- **Hubs:** For proper hub selection, see the hub suffix chart on the accessories page.
- **Bypass:** The heavy duty lever type bypass is factory installed and permits changing and testing of the meter without interrupting customer service when lever is in the raised position.



Please consult serving utility for their requirements prior to ordering or installing, as specifications and approvals vary by utility, and may require local electrical inspector approval. All installations must be installed by a licensed electrician and must comply with all national and local codes, laws and regulations. Milbank reserves the right to make changes in specifications and features shown without notice or obligation.

# Meter Mains with Lever Bypass

15

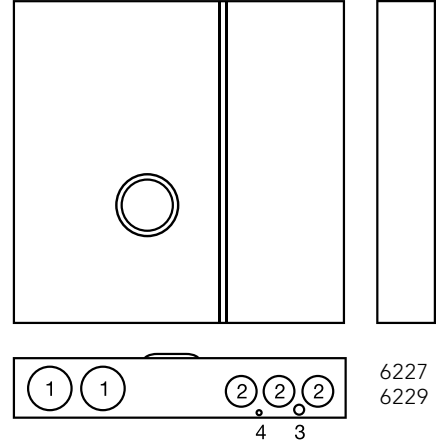
320 Amps | 4-7 Terminals | Ringless | 480V | *NEC 2020 Compliant*



U6227X400K3LIL5T9WEVE



U6229-X-400-K7L-IL-EVE



6227  
6229

## 320 Amps | 5 Terminals | Heavy Duty Lever Bypass | 480V | Commercial

Catalog Number	Amps	OH/UG	Phase	Breakers	Dimensions			Knockouts			
					D"	W"	H"	1	2	3	4
U6227X400K3LIL5T9WEVE	320	OH/UG	1Ø3W	400A	6	36¼	34	4	2½	½	¼

## 320 Amps | 7 Terminals | Heavy Duty Lever Bypass | 480V | Commercial

Catalog Number	Amps	OH/UG	Phase	Breakers	Dimensions			Knockouts			
					D"	W"	H"	1	2	3	4
U6229-X-400-K7L-IL-EVE	320	OH/UG	3Ø4W	400A	6	36¼	34	4	2½	½	¼

### Notes

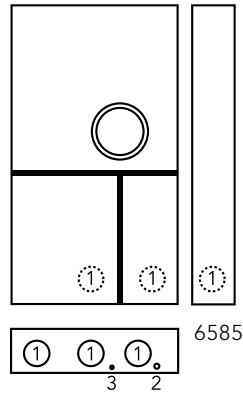
- **AIC rating:** 22K AIC at 240V; and 10K AIC at 480V.
- **Hubs:** For proper hub selection, see the hub suffix chart on the accessories page.
- **Bypass:** The heavy duty lever type bypass is factory-installed and permits changing and testing of the meter without interrupting customer service when lever is in the raised position.
- **300 Amp breaker:** Can be installed from the factory (upon request).

Please consult serving utility for their requirements prior to ordering or installing, as specifications and approvals vary by utility, and may require local electrical inspector approval. All installations must be installed by a licensed electrician and must comply with all national and local codes, laws and regulations. Milbank reserves the right to make changes in specifications and features shown without notice or obligation.

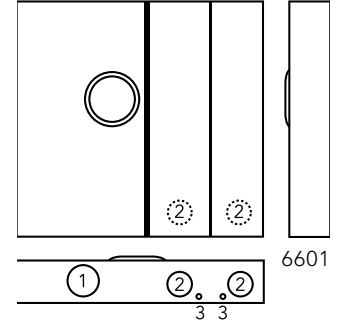


# Meter Mains with Lever Bypass

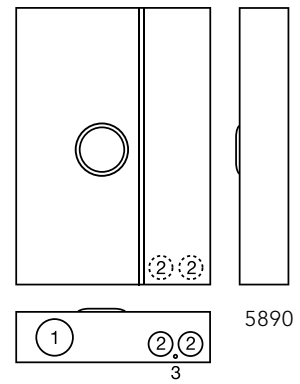
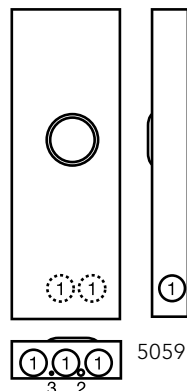
320 Amps | 5 Terminals | Ringless | 240V



U6585X2200K3L5T9WILEVE



U6601-X-2/200-K3L-5T9-EVE



**320 Amps | 5 Terminals | Heavy Duty Lever Bypass | 22K AIC**

Catalog Number	Service	Hub	Connectors CU/AL	Breakers	Dimensions			Knockouts		
			Line		D"	W"	H"	1	2	3
U5059X2200K3L5T9WEVE	OH/UG	C.P.	#4-600 or (2) 1/0-250MCM	(2) X 200A	4 <sup>7</sup> / <sub>8</sub>	15	42	3	1/2	1/4
U5890X2200K3L5T9WEVE	OH/UG	C.P.	#4-600 or (2) 1/0-250MCM	(2) X 200A	6	24 <sup>1</sup> / <sub>2</sub>	35	4	2 <sup>1</sup> / <sub>2</sub>	5/16

**320 Amps | 5 Terminal | Heavy Duty Lever Bypass | 22K AIC | NEC 2020 Compliant**

Catalog Number	Service	Hub	Connectors CU/AL	Breakers	Dimensions			Knockouts		
			Line		D"	W"	H"	1	2	3
U6585X2200K3L5T9WILEVE	OH/UG	C.P.	#4-600 or (2) 1/0-250MCM	(2) X 200A	4 <sup>27</sup> / <sub>32</sub>	20 <sup>1</sup> / <sub>4</sub>	45	2 <sup>1</sup> / <sub>2</sub>	1/2, 1/4	1/4
U6601-X-2/200-K3L-5T9-EVE	OH/UG	C.P.	#4-600 or (2) 1/0-250MCM	(2) X 200A	6	34 <sup>1</sup> / <sub>8</sub>	35	4	2 <sup>1</sup> / <sub>2</sub>	1/2, 1/4

**Notes**

- **Hubs:** For proper hub selection, see the hub suffix chart on the accessories page.
- **Breakers:** All units come with two, 200 Amps main breakers.
- **Short circuit current rating:** Rating is 22K AIC. Note, this rating is limited to the lowest interrupting capacity of any circuit breaker installed. Watthour meter not included in short circuit current rating.



Please consult serving utility for their requirements prior to ordering or installing, as specifications and approvals vary by utility, and may require local electrical inspector approval. All installations must be installed by a licensed electrician and must comply with all national and local codes, laws and regulations. Milbank reserves the right to make changes in specifications and features shown without notice or obligation.



# Meter Mains with Lever Bypass

17

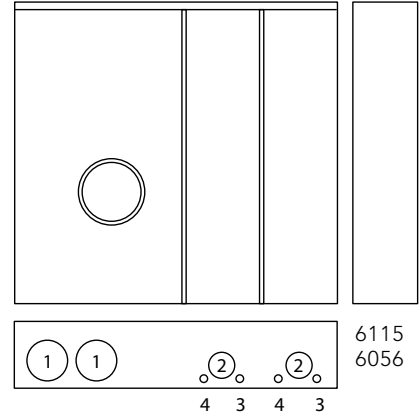
400 Amps | 7 Terminals | Ringless | 480V



U6115-X-2/200-K7L-IL-EVE



U6056-X-2/200-K7L-IL-EVE



6115  
6056

## 320 Amps | 7 Terminals | Heavy Duty Lever Bypass | Ringless

Catalog Number	Service	Hub	Connectors CU/AL	Breakers	Dimensions			Knockouts			
			Line		D"	W"	H"	1	2	3	4
U6115-X-2/200-K7L-IL-EVE	OH/UG	C.P.	#4-600 kcmil or (2) 1/0 - 250	(2) X 200A	7	37¼	34	4	2½	½	¼

## 320 Amps | 7 Terminals | Heavy Duty Lever Bypass | Ringless | NEC 2020 Compliant

Catalog Number	Service	Hub	Connectors CU/AL	Breakers	Dimensions			Knockouts			
			Line		D"	W"	H"	1	2	3	4
U6056-X-2/200-K7L-IL-EVE	OH/UG	C.P.	#4-600 kcmil or (2) 1/0 - 250	(2) X 200A	7	36¼	34	4	2½	½	¼

### Notes

- **Hubs:** For proper hub selection, please contact your local Milbank Manufacturers' Representative.
- **Bypass:** The lever supplies clamping action on meter spades and also operates the bypass devices.

Please consult serving utility for their requirements prior to ordering or installing. Specifications and approvals vary by utility, and may require local electrical inspector approval. All installations must be installed by a licensed electrician and must comply with all national and local codes, laws and regulations. Milbank reserves the right to make changes in specifications and features shown without notice or obligation.



# 18

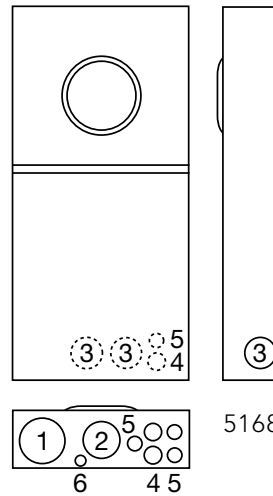
# Meter Mains with Load Center

100-200 Amps | 5 Terminals | Ringless | 120/240V

NEC 2020 Compliant



U5168XL100KKIL5T9WEVE



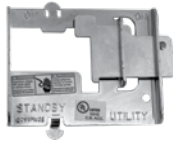
100-200 Amps | 5 Terminals | Horn Bypass | Ringless | OH/UG | 120/240V | Residential

Catalog Number	Amps	Hub	Connectors CU/AL – Line	Branch Circuits	Dimensions			Knockouts					
					D"	W"	H"	1	2	3	4	5	6
U5168XL100KKIL5T9WEVE	100	C.P.	#6-350	10	4½	14⅞	30	3	2½	2	1	½, ¾	¼, ½
U5168XL150KKIL5T9WEVE	150	C.P.	#6-350	8	4½	14⅞	30	3	2½	2	1	½, ¾	¼, ½
U5168XL200KKIL5T9WEVE	200	C.P.	#6-350	8	4½	14⅞	30	3	2½	2	1	½, ¾	¼, ½

## Notes

- **Hubs:** For proper hub selection, see the hub suffix chart on the accessories page.
- **AIC rating:** The **U5168** are rated 22K AIC when using Siemens **QPH** (100 Amps) or **QNH** (200 Amps) breakers.
- **Bypass:** The horn-type bypass is factory-installed. This permits changing and testing of the meter without interrupting customer service when lever is in the raised position.
- **Load side feed through lugs:** Included on load center.

## Generator Interlock (compatible with U5168)

	<b>K5815</b> Large <b>QN</b> with small frame <b>Q</b> .	<b>K5820</b> Large frame <b>QN</b> with large frame <b>QN</b> .	<b>K5830</b> Small frame <b>Q</b> to small frame <b>Q</b> .
---	---	--	--

## Branch Breaker Chart

AIC Rating	Amps	Siemens	Cutler Hammer	General Electric	Square D
10k	150-200	QNR	BR (150A only)	—	—
	≤ 125	QP	HQP, BR	THQL, THQL-GF	Homeline
22k	150-200	QNRH	—	—	—
	≤ 125	QPH	—	—	—



Please consult serving utility for their requirements prior to ordering or installing. Specifications and approvals vary by utility, and may require local electrical inspector approval. All installations must be installed by a licensed electrician and must comply with all national and local codes, laws and regulations. Milbank reserves the right to make changes in specifications and features shown without notice or obligation.

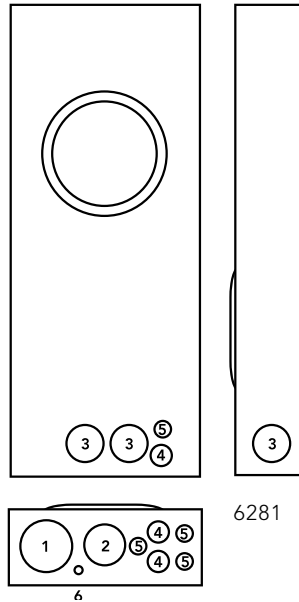
# Meter Mains with Load Center

19

100-200 Amps | 5 Terminals | Lever Bypass | Ringless | 120/240V  
 NEC 2020 Compliant



U6281-XL-100-IL-5T9W-EVE



100-200 Amps | 5 Terminals | Lever Bypass | Ringless | OH/UG | 120/240V | Commercial

Catalog Number	Amps	Hub	Connectors CU/AL – Line	Branch Circuits	Dimensions			Knockouts				
					D"	W"	H"	1	2	3	4	5
U6281-XL-100-IL-5T9W-EVE	100	C.P.	#6-350	10	4½	14⅞	34	3	2½	2½	1	¾
U6281-XL-150-IL-5T9W-EVE	150	C.P.	#6-350	8	4½	14⅞	34	3	2½	2½	1	¾
U6281-XL-200-IL-5T9W-EVE	200	C.P.	#6-350	8	4½	14⅞	34	3	2½	2½	1	¾

## Notes

- **Hubs:** For proper hub selection, see the hub suffix chart on the accessories page.
- **AIC rating:** The U6281 are rated 22K AIC when using Siemens QPH (100 Amps) or QNH (200 Amps) breakers.
- **Bypass:** The heavy duty lever type bypass is factory-installed. This permits changing and testing of the meter without interrupting customer service when used when lever is in the raised position.
- **Load side feed through lugs:** Included on load center.

## Generator Interlock (compatible with U6281)

	<p><b>K5815</b> Large QN with small frame Q</p>	<p><b>K5820</b> Large frame QN with large frame QN</p>	<p><b>K5830</b> Small frame Q to small frame Q</p>
--	---	--	--

Please consult serving utility for their requirements prior to ordering or installing. Specifications and approvals vary by utility, and may require local electrical inspector approval. All installations must be installed by a licensed electrician and must comply with all national and local codes, laws and regulations. Milbank reserves the right to make changes in specifications and features shown without notice or obligation.

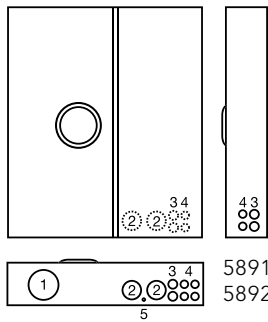


# Meter Mains with Load Center

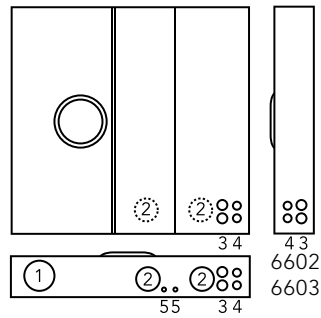
320 Amps | 5 Terminals | Ringless | 240V



U5891X2200K3LIL5T9WEVE



U6602-X-2/200-K3L-5T9-EVE



320 Amps | 5 Terminals | Lever Bypass | OH/UG | 1Ø3W | 240V

Catalog Number	Hub	Connectors CU/AL Line	Breakers	Load Centers	Dimensions			Knockouts				
					D"	W"	H"	1	2	3	4	5
U5891X2200K3LIL5T9WEVE	C.P.	#4-600 or (2) 1/0-250MCM	(2) X 200A	10 (with feed-through lugs)	6	29½	35	4	2½	1	½,¾	¼
U5892X2200K3LIL5T9WEVE	C.P.	#4-600 or (2) 1/0-250MCM	(2) X 200A	22 (with feed-through lugs)	6	29½	35	4	2½	1	½,¾	¼

320 Amps | 5 Terminals | OH/UG | 1Ø3W | NEC 2020 Compliant

Catalog Number	Hub	Connectors CU/AL Line	Breakers	Load Centers	Dimensions			Knockouts				
					D"	W"	H"	1	2	3	4	5
U6602-X-2/200-K3L-5T9-EVE	C.P.	#4-600 or (2) 1/0-250MCM	(2) X 200A	10 (with feed-through lugs)	6	38	41	4	2½	1	½,¾	¼
U6603-X-2/200-K3L-5T9-EVE	C.P.	#4-600 or (2) 1/0-250MCM	(2) X 200A	22 (with feed-through lugs)	6	38	41	4	2½	1	½,¾	¼

**Notes**

- **Hubs:** For proper hub selection, see the hub suffix chart on the accessories page.
- **Breakers:** All units come with two, 200 Amps main breakers. For branch breakers, please contact your local Milbank Manufacturers' Representative.
- **Short circuit current rating:** Rating is 22K AIC. Note, this rating is limited to the lowest interrupting capacity of any circuit breaker installed. Watthour meter not included in short circuit current rating.



Please consult serving utility for their requirements prior to ordering or installing. Specifications and approvals vary by utility, and may require local electrical inspector approval. All installations must be installed by a licensed electrician and must comply with all national and local codes, laws and regulations. Milbank reserves the right to make changes in specifications and features shown without notice or obligation.

# Cold Sequence Knife Switch

21

200 Amps | 4-7 Terminals | *Every Approved*



U6550

The U6550 requires less space than using a meter socket and disconnect. These are also more aesthetically pleasing with fewer components, allowing for faster installation.

## Features

- Easy installation
- All-in-one socket knife switch combo
- Durable enclosure
- NEMA 3R rated
- Standard enclosure: Powder-coated galvanized steel
- Optional enclosure materials: Stainless steel or aluminum
- Wide range of optional utility-specified components including:
  - Stainless steel hasp
  - Isolated neutral
  - Barrel lock
- SCCR rating of 10K
- UL-listed
- Manufactured in the USA

## 200 Amps | 4-7 Terminals | Cold Sequence Knife Switch

Catalog Number	Terminals	Phase	Dimensions			Knockout		
			D"	W"	H"	1	2	3
U6549-XL-200NF-5T9-IL-LG	4 or 5	1Ø3W and Network	5¾	15	33½	4	2½	½
U6615-XL-200NF-5T9-IL-LG (Delta)	5	3Ø3W	5¾	15	33½	4	2½	½
U6550-XL-200NF-IL-LG	7	3Ø4W	5¾	15	33½	4	2½	½

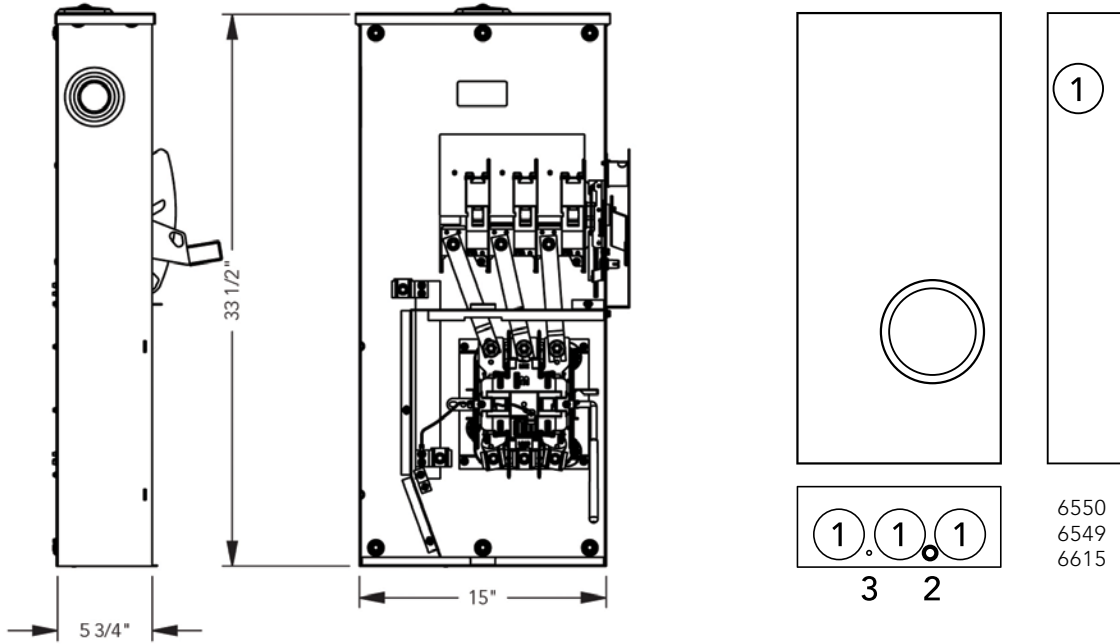
Please consult serving utility for their requirements prior to ordering or installing. Specifications and approvals vary by utility, and may require local electrical inspector approval. All installations must be installed by a licensed electrician and must comply with all national and local codes, laws and regulations. Milbank reserves the right to make changes in specifications and features shown without notice or obligation.



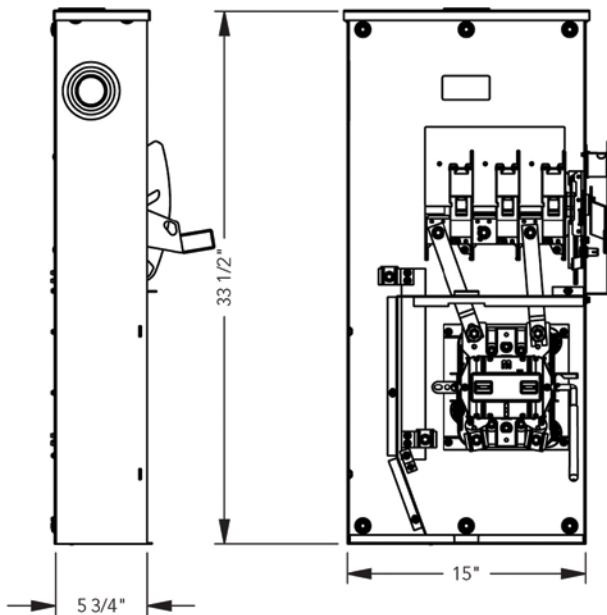
# Cold Sequence Knife Switch

200 Amps | 4-7 Terminals | *Energy Approved*

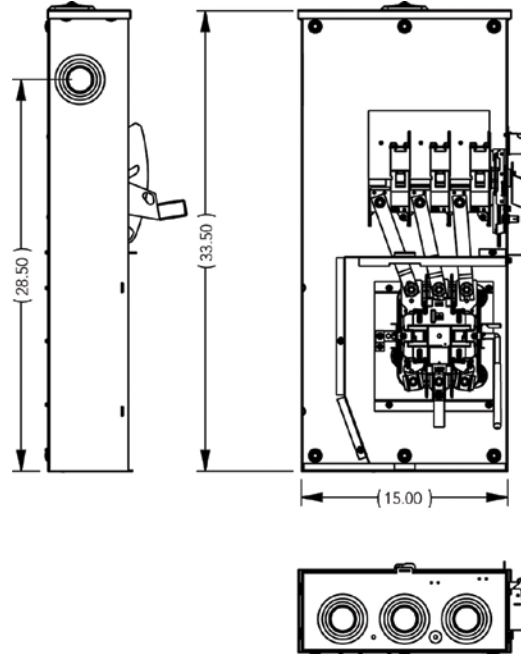
U6550



U6549



U6615



Please consult serving utility for their requirements prior to ordering or installing. Specifications and approvals vary by utility, and may require local electrical inspector approval. All installations must be installed by a licensed electrician and must comply with all national and local codes, laws and regulations. Milbank reserves the right to make changes in specifications and features shown without notice or obligation.

# Multi-Position Sockets

23

150-200 Amps | 5 Terminals | Ringless | 300V



U1232-X-5T-K1



U1252-X-5T-K1

150 Amps per Position | 5 Terminals | Multi-Position | Ringless | Residential

Catalog Number	Positions	Service	Hub	Connectors CU/AL		Dimensions		
				Line	Load	D"	W"	H"
U1232-X-5T-K1	2	OH/UG	H.O.	#6-350	#6-350	5 $\frac{1}{8}$	26 $\frac{1}{2}$	14
U1233-X-5T-K3	3	OH/UG	H.O.	#6-350	#6-350	5 $\frac{1}{8}$	34 $\frac{3}{4}$	14
U1234-X-5T-K3	4	OH/UG	C.P.	#6-350	#6-350	5 $\frac{1}{8}$	42 $\frac{7}{8}$	16

200 Amps per Position | 5 Terminals | Multi-Position | Ringless | Residential

Catalog Number	Positions	Service	Hub	Connectors CU/AL		Dimensions		
				Line	Load	D"	W"	H"
U1252-X-5T-K1	2	OH/UG	C.P.	#6-350	#6-350	5 $\frac{1}{8}$	26 $\frac{1}{8}$	14
U1253-X-5T-K1	3	OH/UG	C.P.	#6-350	#6-350	5 $\frac{1}{8}$	34 $\frac{3}{4}$	14
U1254-X-5T-K4	4	OH/UG	C.P.	4-600	#6-350	5 $\frac{1}{8}$	42 $\frac{7}{8}$	16
U1255-X-5T-K4	5	OH/UG	C.P.	4-600	#6-350	5 $\frac{1}{8}$	54 $\frac{5}{8}$	16
U1256-X-5T-K4	6	OH/UG	C.P.	4-600	#6-350	5 $\frac{1}{8}$	62 $\frac{5}{8}$	18

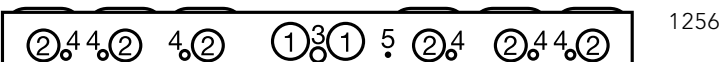
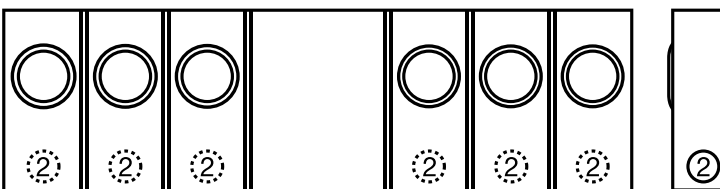
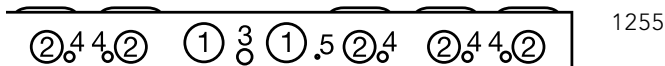
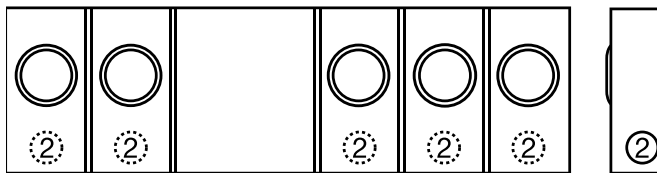
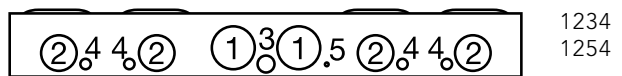
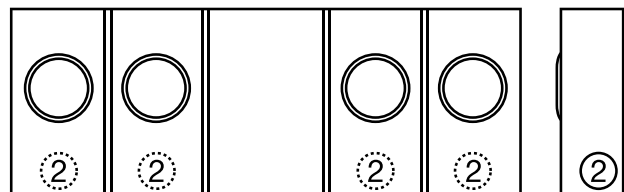
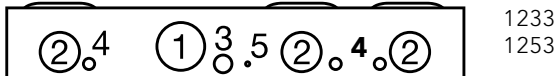
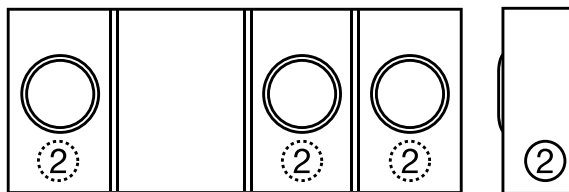
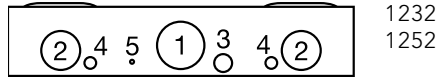
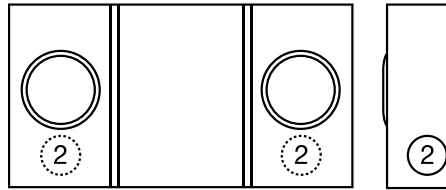
## Notes

- **Knockouts:** Knockouts are referenced on the following page.
- **Hubs:** For proper hub selection, refer to the hub suffix chart on the accessories page.
- **Connector kits:** For line side connector kits, see accessories page.

Please consult serving utility for their requirements prior to ordering or installing. Specifications and approvals vary by utility, and may require local electrical inspector approval. All installations must be installed by a licensed electrician and must comply with all national and local codes, laws and regulations. Milbank reserves the right to make changes in specifications and features shown without notice or obligation.



Knockouts				
1	2	3	4	5
3	2½	1	½	¼



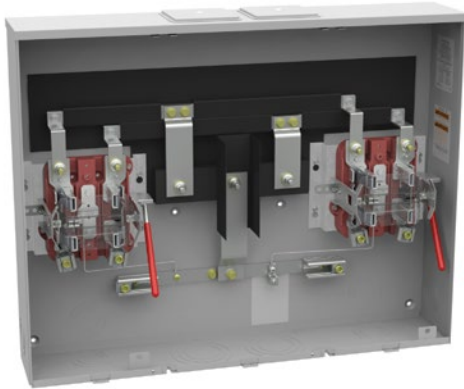
Please consult serving utility for their requirements prior to ordering or installing. Specifications and approvals vary by utility, and may require local electrical inspector approval. All installations must be installed by a licensed electrician and must comply with all national and local codes, laws and regulations. Milbank reserves the right to make changes in specifications and features shown without notice or obligation.



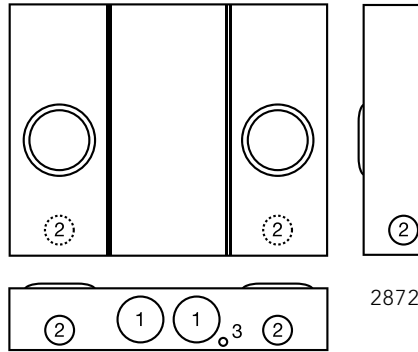
# Lever Bypass Multi-Position Sockets

25

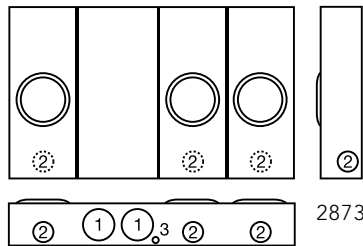
200 Amps | 5 Terminals | Ringless | 300V



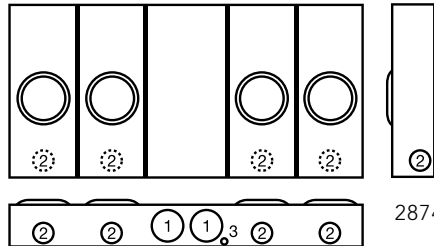
U2872-Xt-5T9



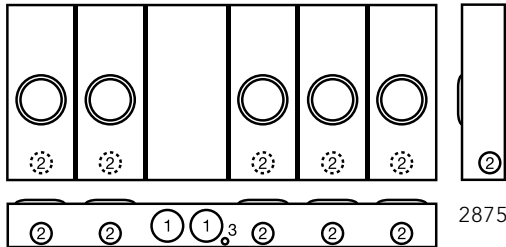
2872



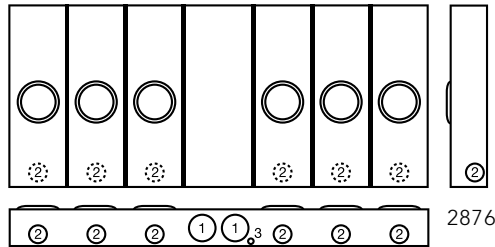
2873



2874



2875



2876

200 Amps per Position | 5 Terminals | Lever Bypass | Ringless | 300V | Commercial

Catalog Number	Positions	Service	Hub	Connectors CU/AL		Bypass	Dimensions			Knockouts		
				Line	Load		D"	W"	H"	1	2	3
U2872-Xt-5T9	2	OH/UG	(2) C.P.	3/8" x 16 Studs	#6-350	Lever	6	32 3/8	25 1/4	4	2 1/2	1 1/4, 1 1/2
U2873-Xt-5T9	3	OH/UG	(2) C.P.	3/8" x 16 Studs	#6-350	Lever	6	42 3/16	25 1/4	4	2 1/2	1 1/4, 1 1/2
U2874-Xt-5T9	4	OH/UG	(2) C.P.	3/8" x 16 Studs	#6-350	Lever	6	52 1/4	25 1/4	4	2 1/2	1 1/4, 1 1/2
U2875-Xt-5T9	5	OH/UG	(2) C.P.	3/8" x 16 Studs	#6-350	Lever	6	62 5/16	25 1/4	4	2 1/2	1 1/4, 1 1/2
U2876-Xt-5T9	6	OH/UG	(2) C.P.	3/8" x 16 Studs	#6-350	Lever	6	72 3/8	31 1/4	4	2 1/2	1 1/4, 1 1/2

## Notes

- **Hubs:** To order additional hubs, refer to the hub suffix chart on the accessories page.
- **Connector kits:** For line side connector kits, see accessories page.
- **Bypass:** The lever operates bypass device and supplies clamping action to meter spades..

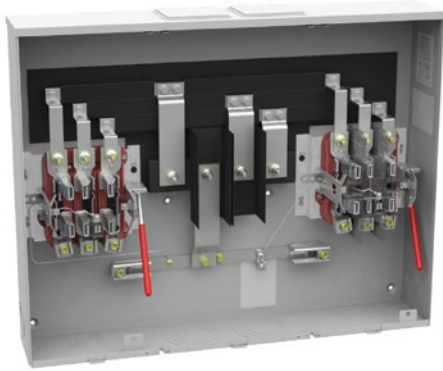
Please consult serving utility for their requirements prior to ordering or installing. Specifications and approvals vary by utility, and may require local electrical inspector approval. All installations must be installed by a licensed electrician and must comply with all national and local codes, laws and regulations. Milbank reserves the right to make changes in specifications and features shown without notice or obligation.



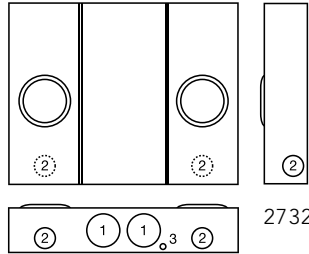
# 26

# Lever Bypass Multi-Position Sockets

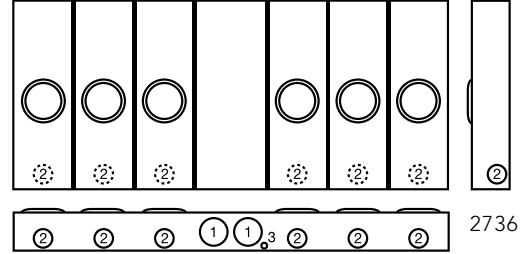
200 Amps | 7 Terminals | Ringless | 300V



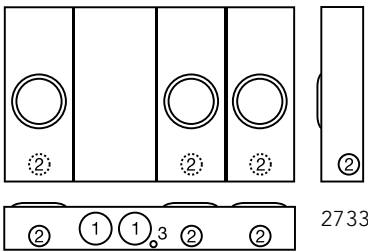
U2732-XT



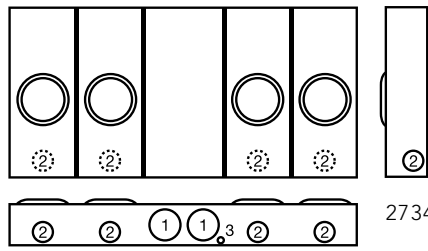
2732



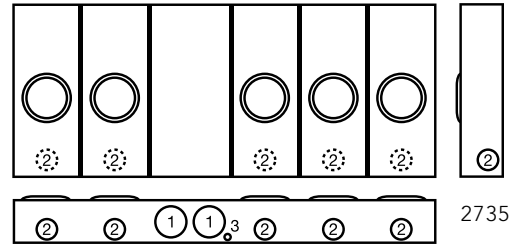
2736



2733



2734



2735

200 Amps per Position | 7 Terminals | Lever Bypass | Ringless | 300V | **Commercial**

Catalog Number	Positions	Service	Hub	Connectors CU/AL		Dimensions			Knockouts		
				Line	Load	D"	W"	H"	1	2	3
U2732-XT	2	OH/UG	(2) C.P.	3/8" x 16 Studs	#6-350	6	32 1/8	25 1/4	4	2 1/2	1/4, 1/2
U2733-XT	3	OH/UG	(2) C.P.	3/8" x 16 Studs	#6-350	6	42 3/16	25 1/4	4	2 1/2	1/4, 1/2
U2734-XT	4	OH/UG	(2) C.P.	3/8" x 16 Studs	#6-350	6	52 1/4	25 1/4	4	2 1/2	1/4, 1/2
U2735-XT	5	OH/UG	(2) C.P.	3/8" x 16 Studs	#6-350	6	62 5/16	25 1/4	4	2 1/2	1/4, 1/2
U2736-XT	6	OH/UG	(2) C.P.	3/8" x 16 Studs	#6-350	6	72 3/8	25 1/4	4	2 1/2	1/4, 1/2

## Notes

- **Hubs:** Units supplied with two closing plates. To order additional hubs, refer to the hub suffix chart on the accessories page.
- **Connector kits:** For line side connector kits, see accessories page.
- **Bypass:** The lever operates bypass device and supplies clamping action to meter spades.



Please consult serving utility for their requirements prior to ordering or installing. Specifications and approvals vary by utility, and may require local electrical inspector approval. All installations must be installed by a licensed electrician and must comply with all national and local codes, laws and regulations. Milbank reserves the right to make changes in specifications and features shown without notice or obligation.

# Multi-Position Meter Mains

125-200 Amps | 5 Terminals | Ringless | 120/240V

NEC 2020 Compliant



U5902-X-KK-K3-5T-KCPL



U5882-X-KK-K3-5T-KCPL

## Breaker Chart

Rating kAIC	Circuit Breakers 125 Amps
10	Siemens: QP. Cutler Hammer: BR, HQP, QPGF Square D/Homeline: GE (50 Amps max) THQL, THQL-GF
22	Siemens: QPH
Rating kAIC	150-200 Amps
10	Siemens: QN
22	Siemens: QNH

125 Amps per Position | 5 Terminals | Ringless | 120/240V | 22K AIC | Residential

Catalog Number	Positions	Service	Hub	Connectors CU/AL	Dimensions			Weight (lbs.)
				Line	D"	W"	H"	
U5902-X-KK-K3-5T-KCPL	2	OH/UG	C.P.	#4-600MCM or (2)1/0 250MCM	5 1/8	26 1/2	30	58
U5903-X-KK-K3-5T-KCPL	3	OH/UG	C.P.	#4-600MCM or (2)1/0 250MCM	5 1/8	34 5/9	30	88
U5904-X-KK-K3-5T-KCPL	4	OH/UG	C.P.	#4-600MCM or (2)1/0 250MCM	5 1/8	41 4/5	30	107
U5905-X-KK-K3-5T-KCPL	5	OH/UG	C.P.	#4-600MCM or (2)1/0 250MCM	5 1/8	51 1/20	30	128
U5906-X-KK-K3-5T-KCPL	6	OH/UG	C.P.	#4-600MCM or (2)1/0 250MCM	5 1/8	59 3/10	30	146

200 Amps per Position | 5 Terminals | Ringless | 120/240V | 22K AIC | Residential

Catalog Number	Positions	Service	Hub	Connectors CU/AL	Dimensions			Weight (lbs.)
				Line	D"	W"	H"	
U5882-X-KK-K3-5T-KCPL	2	OH/UG	C.P.	#4-600MCM or (2)1/0 250MCM	5 1/8	26 1/2	30	58
U5883-X-KK-K3-5T-KCPL	3	OH/UG	C.P.	#4-600MCM or (2)1/0 250MCM	5 1/8	34 5/9	30	88
U5884-X-KK-K3-5T-KCPL	4	OH/UG	C.P.	#4-600MCM or (2)1/0 250MCM	5 1/8	41 4/5	30	107
U5885-X-KK-K3-5T-KCPL	5	OH/UG	C.P.	#4-600MCM or (2)1/0 250MCM	5 1/8	51 1/20	30	128
U5886-X-KK-K3-5T-KCPL	6	OH/UG	C.P.	#4-600MCM or (2)1/0 250MCM	5 1/8	59 3/10	30	146

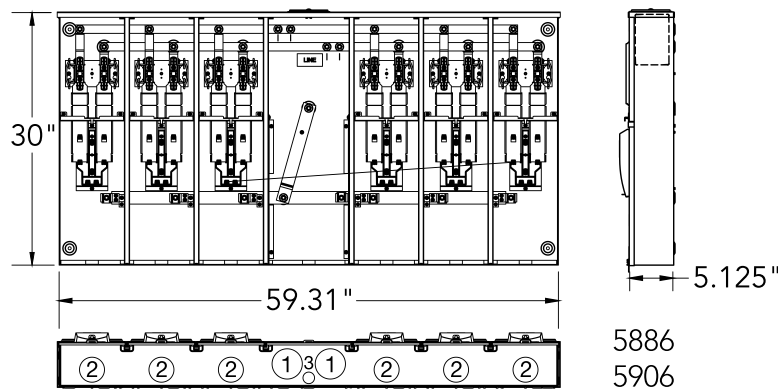
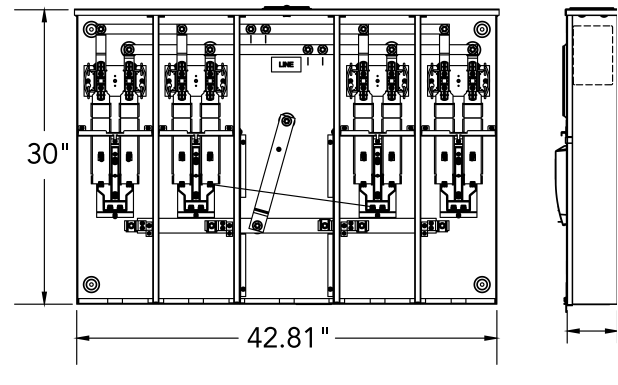
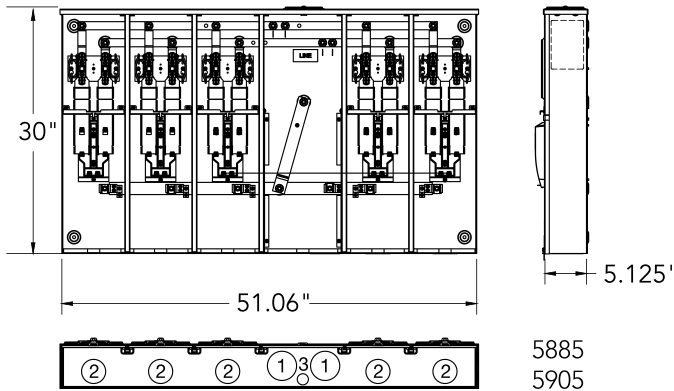
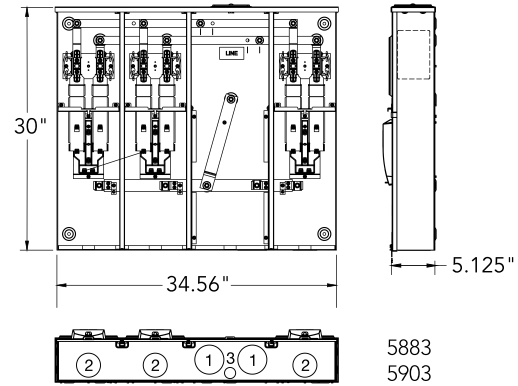
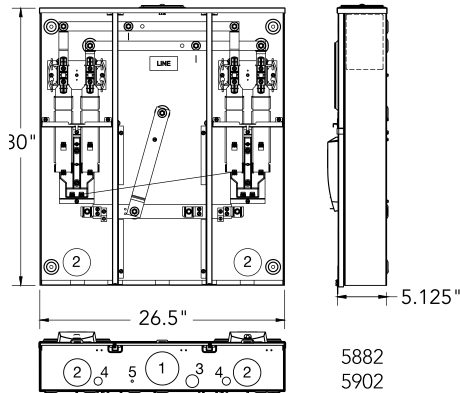
## Notes

- **AIC rating:** Rating is 22K AIC. Note, this rating is limited to the lowest interrupting capacity of any circuit breaker installed. Watthour meter not included in short circuit current rating.
- **Hub:** Units supplied with one closing plate. To order hubs separately, please contact your local Representative.
- **Line side connectors:** Socket is supplied with 3/8" - 16 hex head nuts with Belleville washers. Separate lug kits are required for line side.
- **Load side connectors:** Dependant upon field-installed breaker.
- **Bypass:** The horn-type bypass is factory-installed. This permits changing and testing of the meter without interrupting customer service when used with utility-supplied jumpers.

Please consult serving utility for their requirements prior to ordering or installing. Specifications and approvals vary by utility, and may require local electrical inspector approval. All installations must be installed by a licensed electrician and must comply with all national and local codes, laws and regulations. Milbank reserves the right to make changes in specifications and features shown without notice or obligation.



Knockouts				
1	2	3	4	5
3	2½	1	7/8	1/4



Please consult serving utility for their requirements prior to ordering or installing. Specifications and approvals vary by utility, and may require local electrical inspector approval. All installations must be installed by a licensed electrician and must comply with all national and local codes, laws and regulations. Milbank reserves the right to make changes in specifications and features shown without notice or obligation.

# Multi-Position Meter Mains

200 Amps | Lever Bypass | 240V | *NEC 2020 Compliant*



U5972-Xt-5T9-BL

### Breaker Chart

Rating kAIC	Circuit Breakers 125 Amps
10	Siemens: QP. Cutler Hammer: BR, HQP, QPGF Square D/Homeline: GE (50 Amps max) THQL, THQL-GF
22	Siemens: QPH
Rating kAIC	150-200 Amps
10	Siemens: QN
22	Siemens: QNH

200 Amps | 5 Terminals | Ringless | Lever Bypass | **Commercial**

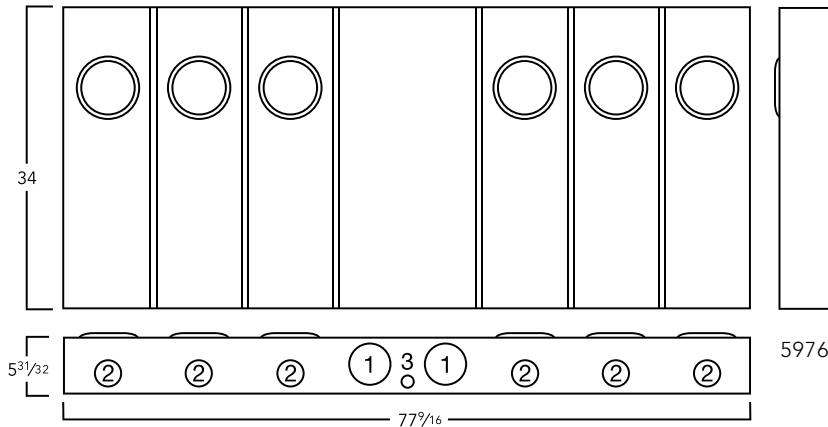
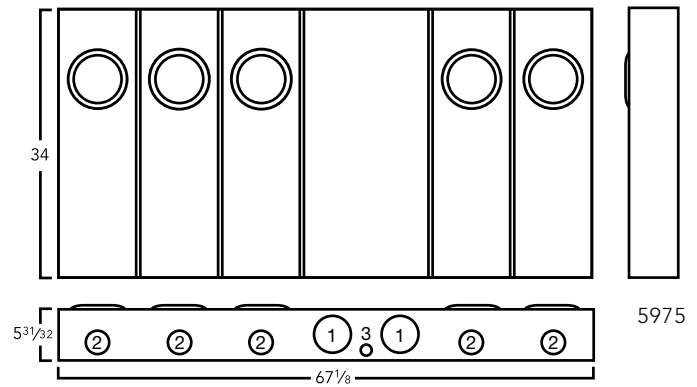
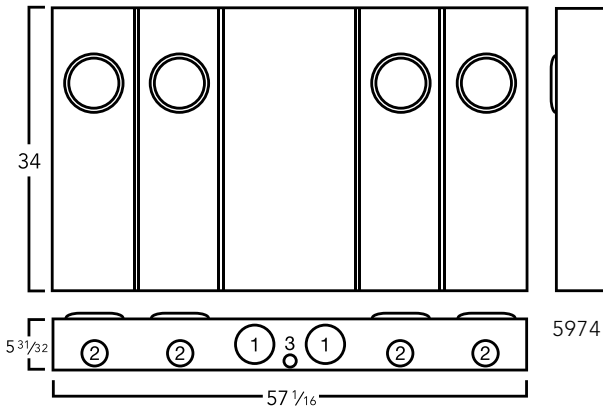
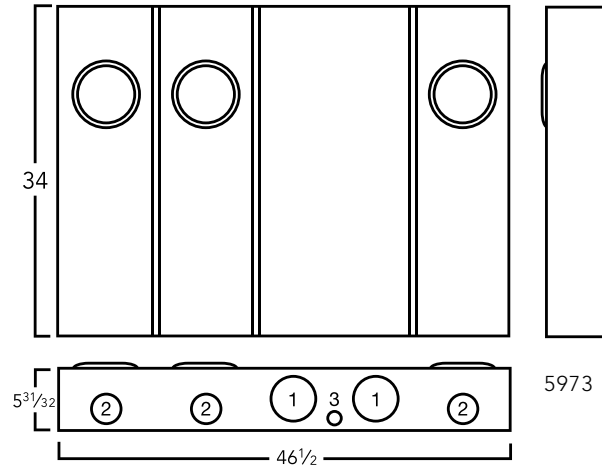
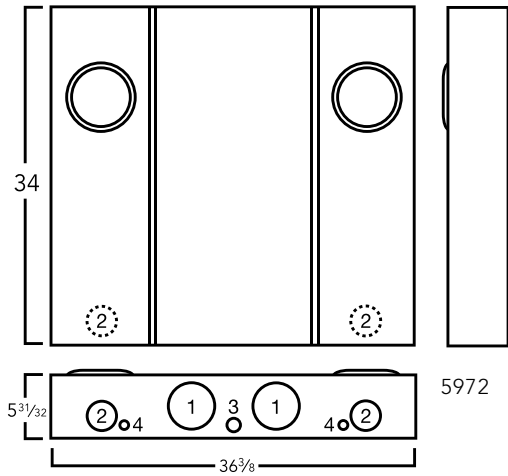
Catalog Number	Positions	Service	Main Bus Rating	Hub	Connectors CU/AL	Dimensions			Knockouts			
					Line	D"	W"	H"	1	2	3	4
U5972-Xt-5T9-BL	2	OH/UG	320 Amps	(2) C.P.	3/8" x 16 Studs	5 <sup>31</sup> / <sub>32</sub>	36 <sup>3</sup> / <sub>8</sub>	34	4	2 <sup>1</sup> / <sub>2</sub>	1	1/2
U5973-Xt-5T9-BL	3	OH/UG	480 Amps	(2) C.P.	3/8" x 16 Studs	5 <sup>31</sup> / <sub>32</sub>	46 <sup>1</sup> / <sub>2</sub>	34	4	2 <sup>1</sup> / <sub>2</sub>	1	—
U5974-Xt-5T9-BL	4	OH/UG	640 Amps	(2) C.P.	3/8" x 16 Studs	5 <sup>31</sup> / <sub>32</sub>	57 <sup>1</sup> / <sub>16</sub>	34	4	2 <sup>1</sup> / <sub>2</sub>	1	—
U5975-Xt-5T9-BL	5	OH/UG	640 Amps	(2) C.P.	3/8" x 16 Studs	5 <sup>31</sup> / <sub>32</sub>	67 <sup>1</sup> / <sub>8</sub>	34	4	2 <sup>1</sup> / <sub>2</sub>	1	—
U5976-Xt-5T9-BL	6	OH/UG	640 Amps	(2) C.P.	3/8" x 16 Studs	5 <sup>31</sup> / <sub>32</sub>	77 <sup>9</sup> / <sub>16</sub>	34	4	2 <sup>1</sup> / <sub>2</sub>	1	—

### Notes

- **Knockouts:** See drawings on following page.
- **Short circuit current rating:** All models are rated 22K AIC when used with approved breakers rated at 22K.
- **Bypass:** These units have locking jaw lever bypass.
- **Hubs:** Units supplied with two closing plate. To order separately, see the hub suffix chart on the accessories page.
- **Fifth terminal:** Fifth terminals are factory-installed in the 9 o'clock position.
- **-BL:** Barrel lock provision.
- **Line side connectors:** Socket is supplied with 3/8" - 16 hex head nuts with Belleville washers. Separate lug kits are required for line side.
- **Load side connectors:** Dependant upon field-installed breaker.

Please consult serving utility for their requirements prior to ordering or installing. Specifications and approvals vary by utility, and may require local electrical inspector approval. All installations must be installed by a licensed electrician and must comply with all national and local codes, laws and regulations. Milbank reserves the right to make changes in specifications and features shown without notice or obligation.





Knockouts			
1	2	3	4
4	2½	1	½
4	2½	1	—
4	2½	1	—
4	2½	1	—
4	2½	1	—



Please consult serving utility for their requirements prior to ordering or installing. Specifications and approvals vary by utility, and may require local electrical inspector approval. All installations must be installed by a licensed electrician and must comply with all national and local codes, laws and regulations. Milbank reserves the right to make changes in specifications and features shown without notice or obligation.

# Current Transformer Cabinets

*Evergy Approved*



## Highlights and Features

- **Three-point latching handle and locking mechanism:**
  - Padlocking handle with three-point latching system allows for easy locking and securing of the unit.
- **Lugs:**
  - Tin plated aluminum, suitable for aluminum or copper conductors and rated for 90°. Lugs are sized for #4-600 MCM. If additional or different size lugs are required, please contact your local Milbank Manufacturers' Representative.
- **Potential tap:**
  - Included on buss
- **Grounding lug:**
  - Single position, 350 kcmil.
- **Wind-stop latch**
- **Aluminum shell enclosure**
- **UL-listed**
- **NEMA Type 3R**
- **Aluminum piano-hinged doors**
- **Includes CT supports and wall-mount brackets.**

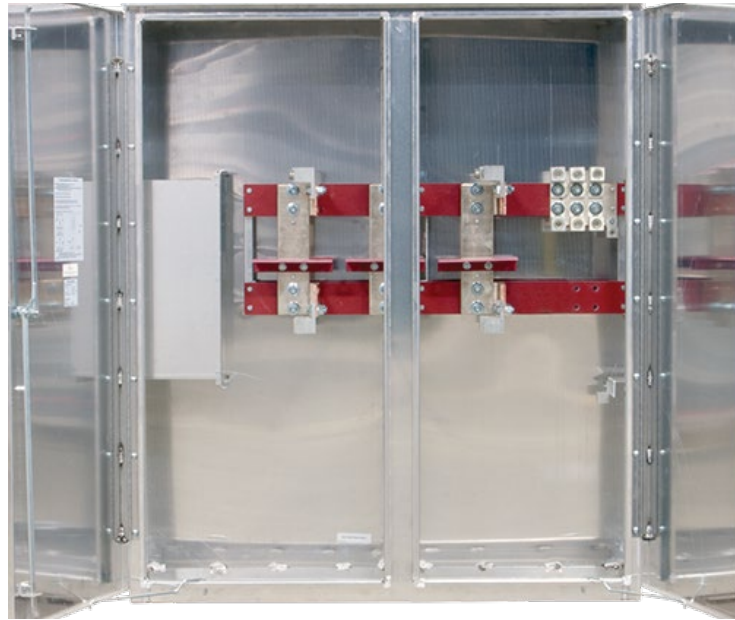
### Current Transformer Cabinets | Overhead Service Entry

Catalog Number	Amps	Voltage	Service	Phase	Fault Current Rating	# of Lugs		Dimensions			Hinged Doors
						Line	Load	H"	W"	D"	
KCPLM-813	800	600	OH	1Ø3W	65,000 Amps	3	3	42	24	8½	Single
KCPLM-833	800	600	OH	3Ø3W	65,000 Amps	3	3	42	24	8½	Single
KCPLM-834	800	600	OH	3Ø4W	65,000 Amps	3	3	42	24	8½	Single
KCPLM-1233	1200	600	OH	3Ø3W	85,000 Amps	4	4	48	36	14½	Single
KCPLM-1234	1200	600	OH	3Ø4W	85,000 Amps	4	4	48	36	14½	Single
KCPLM-1633	1600	600	OH	3Ø3W	85,000 Amps	5	5	60	38	16½	Single
KCPLM-1634	1600	600	OH	3Ø4W	85,000 Amps	5	5	60	38	16½	Single
KCPLM-2033	2000	600	OH	3Ø3W	85,000 Amps	6	6	66	42	14½	Double
KCPLM-2034	2000	600	OH	3Ø4W	85,000 Amps	6	6	66	42	14½	Double
KCPLM-2533	2500	600	OH	3Ø3W	85,000 Amps	7	7	72	42	20½	Double
KCPLM-2534	2500	600	OH	3Ø4W	85,000 Amps	7	7	72	42	20½	Double
KCPLM-3033	3000	600	OH	3Ø3W	85,000 Amps	8	8	72	42	20½	Double
KCPLM-3034	3000	600	OH	3Ø4W	85,000 Amps	8	8	72	42	20½	Double

Please reach out to your Milbank Manufacturers' representative for more information on Milbank's Evergy-approved combination CT cabinet / disconnect units.

Please consult serving utility for their requirements prior to ordering or installing. Specifications and approvals vary by utility, and may require local electrical inspector approval. All installations must be installed by a licensed electrician and must comply with all national and local codes, laws and regulations. Milbank reserves the right to make changes in specifications and features shown without notice or obligation.





### Current Transformer Cabinets | Underground Service Entry | Underground Exit

Catalog Number	Amps	Voltage	Service	Phase	Fault Current Rating	# of Lugs		Dimensions			Hinged Doors
						Line	Load	H"	W"	D"	
KCPLM-813UGBX	800	600	UG	1Ø3W	65,000 Amps	3	3	48	36	14 <sup>11</sup> / <sub>16</sub>	Single
KCPLM-833UGBX	800	600	UG	3Ø3W	65,000 Amps	3	3	48	36	14 <sup>11</sup> / <sub>16</sub>	Single
KCPLM-834UGBX	800	600	UG	3Ø4W	65,000 Amps	3	3	48	36	14 <sup>11</sup> / <sub>16</sub>	Single
KCPLM-1233UGBX	1200	600	UG	3Ø3W	85,000 Amps	4	4	54	45 <sup>3</sup> / <sub>4</sub>	14 <sup>11</sup> / <sub>16</sub>	Double
KCPLM-1234UGBX	1200	600	UG	3Ø4W	85,000 Amps	4	4	54	45 <sup>3</sup> / <sub>4</sub>	14 <sup>11</sup> / <sub>16</sub>	Double
KCPLM-1633UGBX	1600	600	UG	3Ø3W	85,000 Amps	5	5	66	54	14 <sup>11</sup> / <sub>16</sub>	Double
KCPLM-1634UGBX	1600	600	UG	3Ø4W	85,000 Amps	5	5	66	54	14 <sup>11</sup> / <sub>16</sub>	Double
KCPLM-2033UGBX	2000	600	UG	3Ø3W	85,000 Amps	6	6	66	54	14 <sup>11</sup> / <sub>16</sub>	Double
KCPLM-2034UGBX	2000	600	UG	3Ø4W	85,000 Amps	6	6	66	54	14 <sup>11</sup> / <sub>16</sub>	Double
KCPLM-2533UGBX	2500	600	UG	3Ø3W	85,000 Amps	7	7	72	50	20 <sup>11</sup> / <sub>16</sub>	Double
KCPLM-2534UGBX	2500	600	UG	3Ø4W	85,000 Amps	7	7	72	50	20 <sup>11</sup> / <sub>16</sub>	Double
KCPLM-3033UGBX	3000	600	UG	3Ø3W	85,000 Amps	8	8	72	50	20 <sup>11</sup> / <sub>16</sub>	Double
KCPLM-3034UGBX	3000	600	UG	3Ø4W	85,000 Amps	8	8	72	50	20 <sup>11</sup> / <sub>16</sub>	Double

Please reach out to your Milbank Manufacturers' representative for more information on Milbank's Energy-approved combination CT cabinet / disconnect units.

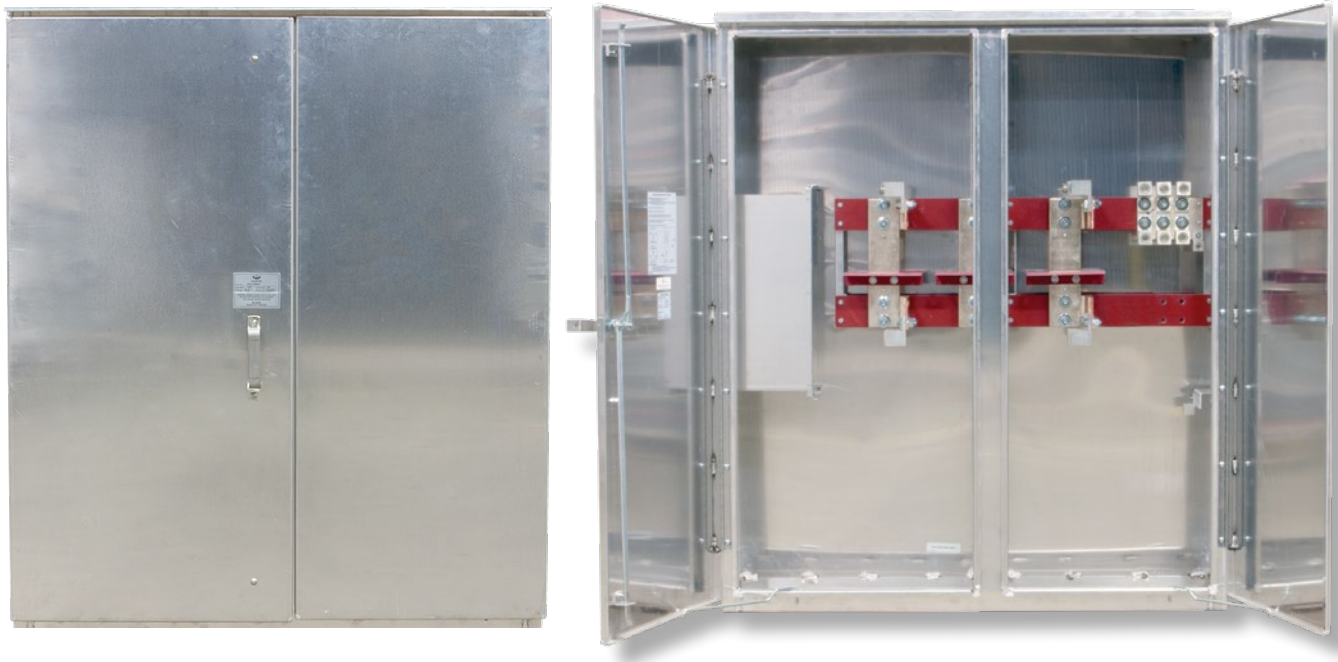


Please consult serving utility for their requirements prior to ordering or installing. Specifications and approvals vary by utility, and may require local electrical inspector approval. All installations must be installed by a licensed electrician and must comply with all national and local codes, laws and regulations. Milbank reserves the right to make changes in specifications and features shown without notice or obligation.



# Current Transformer Cabinets

*Evergy Approved*



## Current Transformer Cabinets | Pad-Mounted

Catalog Number	Amps	Voltage	Service	Phase	Fault Current Rating	# of Lugs		Dimensions			Hinged Doors
						Line	Load	H"	W"	D"	
KCPLM-813PM	800	600	UG	1Ø3W	65,000 Amps	3	3	58	36	14 <sup>11</sup> / <sub>16</sub>	Single
KCPLM-833PM	800	600	UG	3Ø3W	65,000 Amps	3	3	58	36	14 <sup>11</sup> / <sub>16</sub>	Single
KCPLM-834PM	800	600	UG	3Ø4W	65,000 Amps	3	3	58	36	14 <sup>11</sup> / <sub>16</sub>	Single
KCPLM-1233PM	1200	600	UG	3Ø3W	85,000 Amps	4	4	64	45 <sup>3</sup> / <sub>4</sub>	14 <sup>11</sup> / <sub>16</sub>	Double
KCPLM-1234PM	1200	600	UG	3Ø4W	85,000 Amps	4	4	64	45 <sup>3</sup> / <sub>4</sub>	14 <sup>11</sup> / <sub>16</sub>	Double
KCPLM-1633PM	1600	600	UG	3Ø3W	85,000 Amps	5	5	66	54	14 <sup>11</sup> / <sub>16</sub>	Double
KCPLM-1634PM	1600	600	UG	3Ø4W	85,000 Amps	5	5	66	54	14 <sup>11</sup> / <sub>16</sub>	Double
KCPLM-2033PM	2000	600	UG	3Ø3W	85,000 Amps	6	6	66	54	14 <sup>11</sup> / <sub>16</sub>	Double
KCPLM-2034PM	2000	600	UG	3Ø4W	85,000 Amps	6	6	66	54	14 <sup>11</sup> / <sub>16</sub>	Double
KCPLM-2533PM	2500	600	UG	3Ø3W	85,000 Amps	7	7	72	50	20 <sup>11</sup> / <sub>16</sub>	Double
KCPLM-2534PM	2500	600	UG	3Ø4W	85,000 Amps	7	7	72	50	20 <sup>11</sup> / <sub>16</sub>	Double
KCPLM-3033PM	3000	600	UG	3Ø3W	85,000 Amps	8	8	72	50	20 <sup>11</sup> / <sub>16</sub>	Double
KCPLM-3034PM	3000	600	UG	3Ø4W	85,000 Amps	8	8	72	50	20 <sup>11</sup> / <sub>16</sub>	Double

Please reach out to your Milbank Manufacturers' representative for more information on Milbank's Evergy-approved combination CT cabinet / disconnect units.

Please consult serving utility for their requirements prior to ordering or installing. Specifications and approvals vary by utility, and may require local electrical inspector approval. All installations must be installed by a licensed electrician and must comply with all national and local codes, laws and regulations. Milbank reserves the right to make changes in specifications and features shown without notice or obligation.



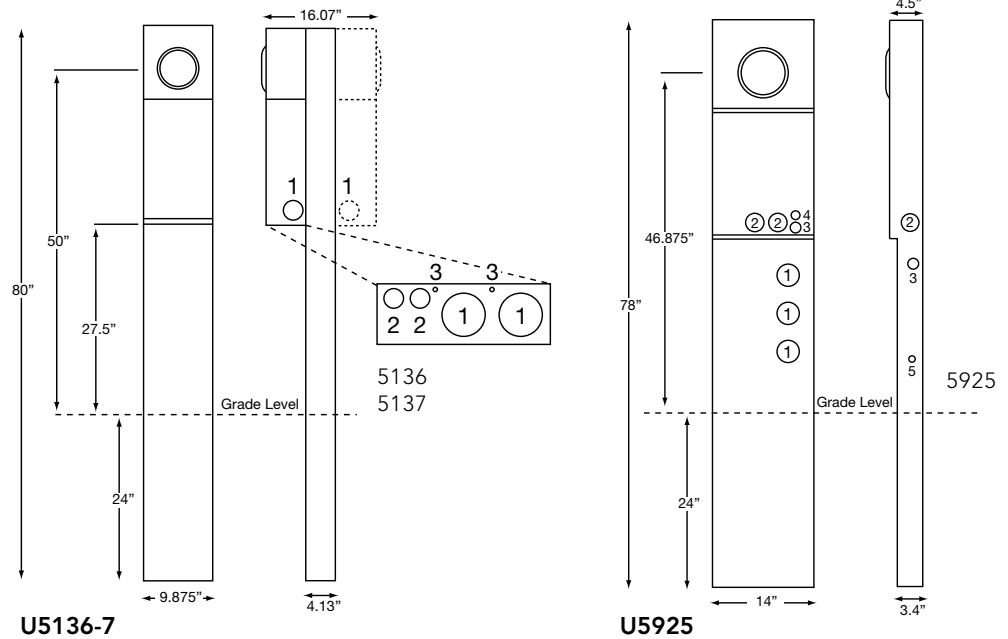
# 34 Meter Main with Load Center Pedestals

200 Amps | 5 Terminals | Horn Bypass | Ringless | 120/240V

NEC 2020 Compliant



U5136-O-200S-IL-5T9W-EVE



100-200 Amps | 5 Terminals | Ringless | Horn Bypass | 120/240V | Residential

Catalog Number	Amps	Phase	Load Center	Application	Dimensions			Knockouts		
					D"	W"	H"	1	2	3
U5136-O-100S-IL-5T9W-EVE*	100	1Ø3W	4	UG	4 <sup>1</sup> / <sub>8</sub>	9 <sup>1</sup> / <sub>16</sub>	80	2	1/2, 3/4	1/4
U5136-O-200S-IL-5T9W-EVE*	200	1Ø3W	4	UG	4 <sup>1</sup> / <sub>8</sub>	9 <sup>1</sup> / <sub>16</sub>	80	2	1/2, 3/4	1/4
U5137-O-100S-IL-5T9W-EVE	100 each (double head)	1Ø3W	4	UG	4 <sup>1</sup> / <sub>8</sub>	9 <sup>1</sup> / <sub>16</sub>	80	2	1/2, 3/4	1/4
U5137-O-200S-IL-5T9W-EVE	200 each (double head)	1Ø3W	4	UG	4 <sup>1</sup> / <sub>8</sub>	9 <sup>1</sup> / <sub>16</sub>	80	2	1/2, 3/4	1/4

100-200 Amps | 5 Terminals | Ringless | Horn Bypass | 120/240V | Residential

Catalog Number	Amps	Phase	Load Center	Application	Dimensions			Knockouts						
					D"	W"	H"	1	2	3	4	5		
U5925O100KKIL5T9EVE	100	1Ø3W	10	UG	3 <sup>7</sup> / <sub>16</sub>	14	78	2 1/2	2	1	3/4	1/2		
U5925O200KKIL5T9EVE	200	1Ø3W	8	UG	3 <sup>7</sup> / <sub>16</sub>	14	78	2 1/2	2	1	3/4	1/2		

## Notes

- **Stabilizer Foot:** For field-installable stabilizer foot, order **K5415**.
  - **Receptacles:** Consult factory for installed receptacle assemblies.
  - **Short circuit current rating:** 22K AIC. However, this rating is limited to the lowest interrupting capacity of any circuit breaker installed. Watthour meter not included in SCCR.
  - **Receptacle bridge:** Order separately, part **K5400-BRIDGE-2POS**.
  - **Extension:** For 18-inch stake wireway extension for **U5925** pedestals, order **K6417**.
  - **Bypass:** The horn-type bypass is factory-installed. This permits changing and testing of the meter without interrupting customer service when used with utility-supplied jumpers.
- \*Pad-mount version also available as **U5138-O-(AMP)S-IL-5T9W-EVE**.



Please consult serving utility for their requirements prior to ordering or installing. Specifications and approvals vary by utility, and may require local electrical inspector approval. All installations must be installed by a licensed electrician and must comply with all national and local codes, laws and regulations. Milbank reserves the right to make changes in specifications and features shown without notice or obligation.

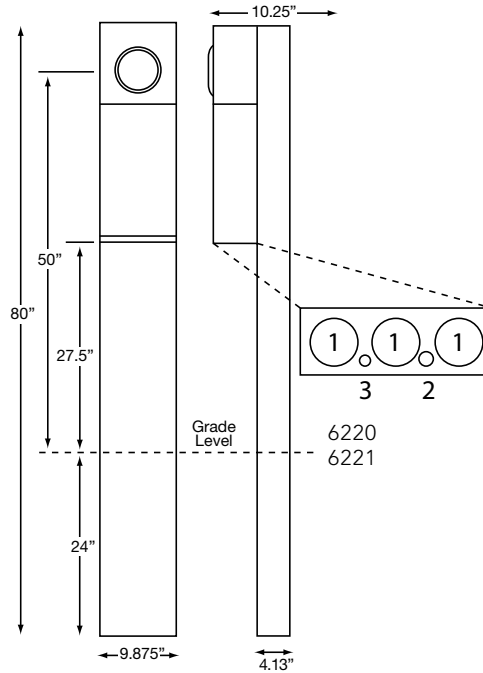
# Meter Main with Load Center Pedestals

# 35

100-200 Amps | 5 Terminals | Ringless | 120/240V



**U6220O200KKIL5T9WEVE**



## Breaker Chart

Rating kAIC	Circuit Breakers 125 Amps
10	Siemens: QP. Cutler Hammer: BR, HQP, QPGF Square D/Homeline: GE (50 Amps max) THQL, THQL-GF
22	Siemens: QPH
Rating kAIC	150-200 Amps
10	Siemens: QN
22	Siemens: QNH

\*Up to three receptacles can be factory installed.  
Consult Milbank to have receptacles installed.

## 100-200 Amps | 5 Terminals | Horn Bypass | 120/240V | Residential

Catalog Number	Amps	Phase	Load Center	Application	Dimensions			AIC
					D"	W"	H"	
U6220O100KKIL5T9WEVE	100	1Ø3W	10	UG	4 1/8	9 11/16	80	22K
U6220O200KKIL5T9WEVE	200	1Ø3W	8	UG	4 1/8	9 11/16	80	22K

## 100-200 Amps | 5 Terminals | Heavy Duty Lever Bypass | 120/240V | Commercial

Catalog Number	Amps	Phase	Load Center	Application	Dimensions			AIC
					D"	W"	H"	
U6221-O-100-IL-5T9W-EVE	100	1Ø3W	10	UG	4 3/4	9 11/16	80	22K
U6221-O-200-IL-5T9W-EVE	200	1Ø3W	8	UG	4 3/4	9 11/16	80	22K

## Notes

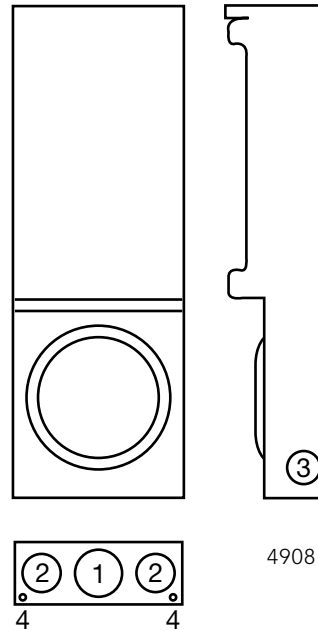
- **Stabilizer foot:** For field-installable stabilizer foot, order **K5415**.
- **Receptacles:** Factory installation available, contact your local Manufacturers' Representative for more information.
- **Pad-mount:** For Pad-mount version contact your local Manufacturers' Representative for more information.

Please consult serving utility for their requirements prior to ordering or installing. Specifications and approvals vary by utility, and may require local electrical inspector approval. All installations must be installed by a licensed electrician and must comply with all national and local codes, laws and regulations. Milbank reserves the right to make changes in specifications and features shown without notice or obligation.



# Temporary Power Units

125 Amps | 4 Terminals | Ringless | 120/240V



U4908-O-11GB-KCPL

125 Amps | 4 Terminals | Ringless

Catalog Number	Service	Hub	Phase	Connectors CU/AL		Dimensions			Knockouts			
				Line	Load	D"	W"	H"	1	2	3	4
U4908-O-11GB-KCPL*	UG	Blank	1Ø3W	#6-2/0	#6-2/0	5 <sup>3</sup> / <sub>16</sub>	9	25 <sup>15</sup> / <sub>16</sub>	2	1 <sup>1</sup> / <sub>2</sub>	1 <sup>1</sup> / <sub>4</sub>	1 <sup>1</sup> / <sub>4</sub>

### Notes

- **Interior:** Six circuit plated copper interior accepts standard plug-in type circuit breakers.
- **Receptacle bridge:** Three position self-grounded receptacle bridge accepts most standard NEMA receptacles with mounting plates.

\*Includes two 20 Amps duplex receptacles with ground fault circuit breakers.



Please consult serving utility for their requirements prior to ordering or installing. Specifications and approvals vary by utility, and may require local electrical inspector approval. All installations must be installed by a licensed electrician and must comply with all national and local codes, laws and regulations. Milbank reserves the right to make changes in specifications and features shown without notice or obligation.

# Multi-Position Tap Box

37

Three Phase | Aluminum Construction | Wall- or Pad-Mountable



If penta-bolt locking cover is required call your local Manufacturers Representative..

## Features

- **Safe and Secure**
  - Padlockable, three-point latching mechanism comes standard with all units.
  - Optional (factory-installed) penta-bolt locking mechanism to further protect against power theft.
- **Easy Installation**
  - Wall- or pad-mount installation options.
  - Stainless steel hardware kit included for pad-mount installation.
  - Lightweight aluminum enclosure.
  - Select models have a smaller footprint; ideal for applications with limited space.
- **NEMA 3R Rated**
- **Aluminum powder coated**
- **Multi-port ground lugs**

## Terminals Boxes

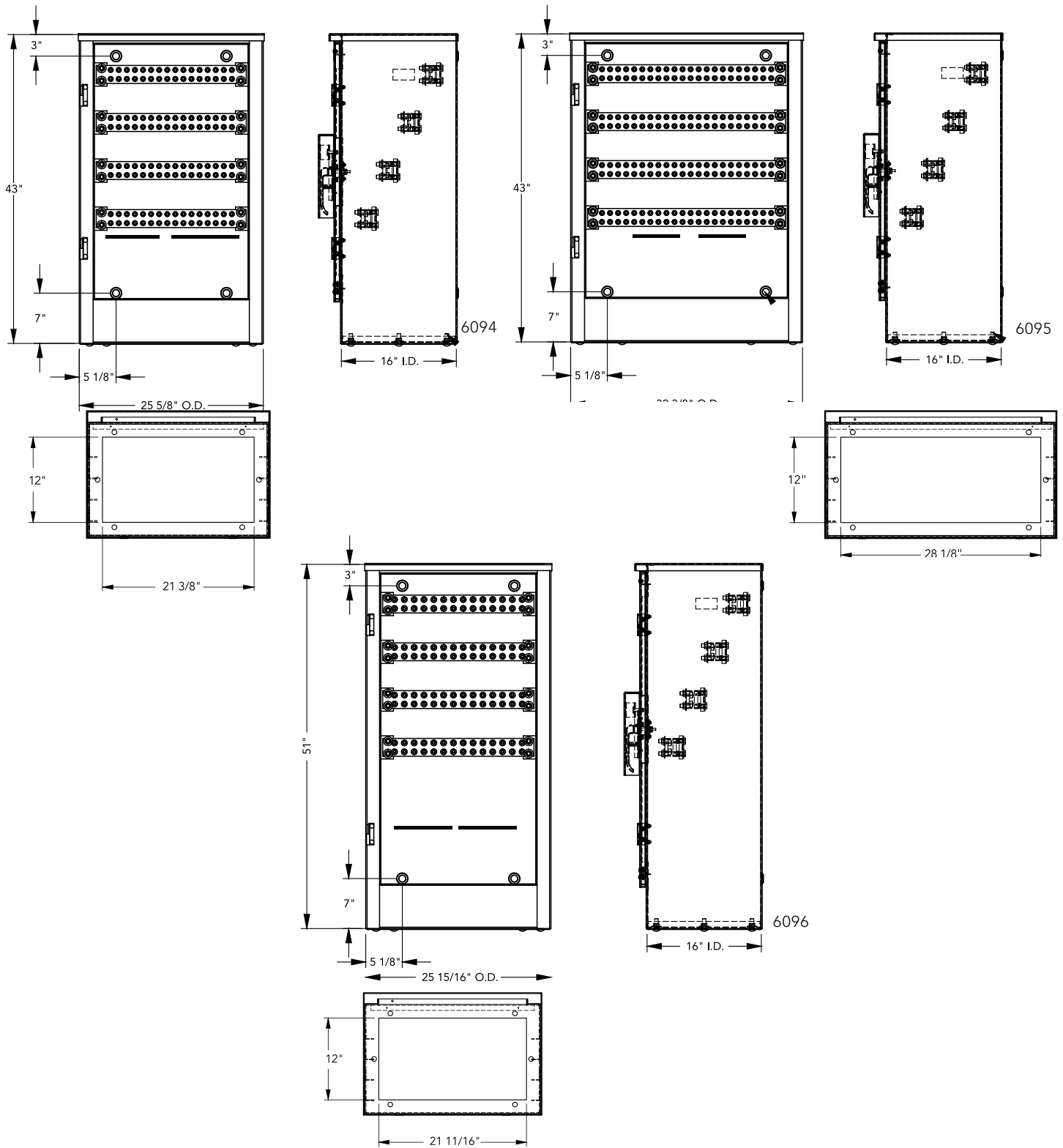
Catalog Number	Phase	Position Lugs	Maximum Wire Size	Maximum Amperage	Dimensions		
					D"	W"	H"
UAP6094-O	3	16	500 kcmil	3000 Amps	16	25 <sup>5</sup> / <sub>8</sub>	43
UAP6095-O	3	22	500 kcmil	4000 Amps	16	32 <sup>3</sup> / <sub>8</sub>	43
UAP6096-O	3	14	750 kcmil	3300 Amps	16	25 <sup>15</sup> / <sub>16</sub>	51

Stainless steel pad-mount spacing brackets included.

Please consult serving utility for their requirements prior to ordering or installing. Specifications and approvals vary by utility, and may require local electrical inspector approval. All installations must be installed by a licensed electrician and must comply with all national and local codes, laws and regulations. Milbank reserves the right to make changes in specifications and features shown without notice or obligation.



Three Phase | Aluminum Construction | Wall- or Pad-Mountable



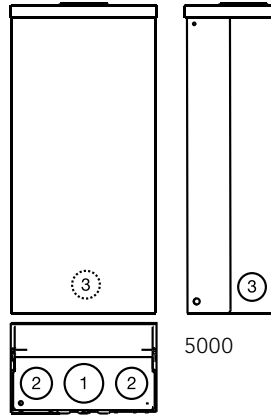
Please consult serving utility for their requirements prior to ordering or installing. Specifications and approvals vary by utility, and may require local electrical inspector approval. All installations must be installed by a licensed electrician and must comply with all national and local codes, laws and regulations. Milbank reserves the right to make changes in specifications and features shown without notice or obligation.

# Surface Mount RV and Power Outlets

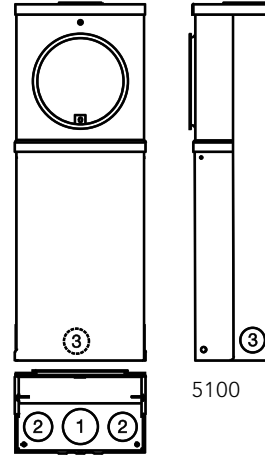
Millennium Series | 120/240V



U5000-XL-75



U5100-XL-75



## 125 Amps | 120/240V | Surface Mount Power Outlets

Catalog Number	Metered/Unmetered	Receptacle Configuration	Circuit Breaker Configuration	Loop Feed	Connectors Line	Dimensions			Knockouts		
						D"	W"	H"	1	2	3
U5000-XL	Unmetered	—	—	Yes	(2) 1/0-#12	5½	9⅛	19¼	2	1½	1¼
U5000-XL-41	Unmetered	A	X	Yes	(2) 1/0-#12	5½	9⅛	19¼	2	1½	1¼
U5000-XL-55	Unmetered	B	Y	Yes	(2) 1/0-#12	5½	9⅛	19¼	2	1½	1¼
U5000-XL-75	Unmetered	C	Z	Yes	(2) 1/0-#12	5½	9⅛	19¼	2	1½	1¼
U5100-XL	Metered	—	—	No	#6-250	5½	9⅛	25	2	1½	1¼
U5100-XL-41	Metered	A	X	No	#6-250	5½	9⅛	25	2	1½	1¼
U5100-XL-55	Metered	B	Y	No	#6-250	5½	9⅛	25	2	1½	1¼
U5100-XL-75	Metered	C	Z	No	#6-250	5½	9⅛	25	2	1½	1¼

### Receptacle Configurations

A	B	C
(1) TT30R, (1) 5-20R GFI	(1) 14-50R, (1) 5-20R GFI	(1) 14-50R, (1) TT30R, (1) 5-20R GFI

**NOTE**

These units are typically used for submetering applications.

Contact factory for additional configurations not shown here.

### Circuit Breaker Configurations

X	Y	Z
(1) 30A, 1P, 120V (1) 20A, 1P, 120V	(1) 50A, 2P, 120/240V (1) 20A, 1P, 120V	(1) 50A, 2P, 120/240V (1) 30A, 1P, 120V (1) 20A, 1P, 120V

**DISCLAIMER**

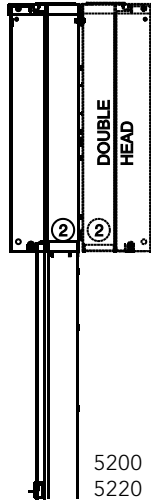
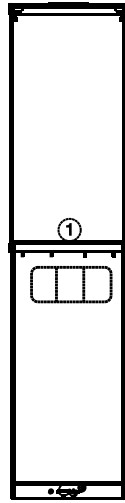
Not meant for utility metered installations.

Please consult serving utility for their requirements prior to ordering or installing. Specifications and approvals vary by utility, and may require local electrical inspector approval. All installations must be installed by a licensed electrician and must comply with all national and local codes, laws and regulations. Milbank reserves the right to make changes in specifications and features shown without notice or obligation.





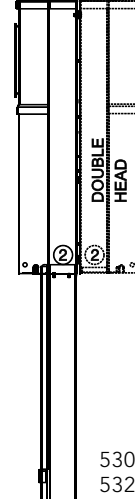
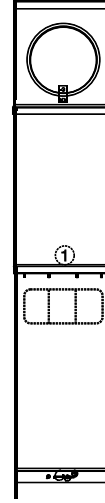
U5200-XL-75



5200  
5220



U5300-O-75



5300  
5320

## 125 Amps | 120/240V | Power Outlet Pedestals

Catalog Number	Double Head Catalog Number	Metered/Unmetered	Receptacle Configuration	Circuit Breaker Configuration	Dimensions			Mounting Type
					D"	W"	H"	
U5200-XL	U5220-XL	Unmetered	—	—	5 <sup>9</sup> / <sub>16</sub>	9 <sup>1</sup> / <sub>8</sub>	64 <sup>1</sup> / <sub>2</sub>	Direct Burial
U5200-XL-41	U5220-XL-41	Unmetered	A	X	5 <sup>9</sup> / <sub>16</sub>	9 <sup>1</sup> / <sub>8</sub>	64 <sup>1</sup> / <sub>2</sub>	Direct Burial
U5200-XL-55	U5220-XL-55	Unmetered	B	Y	5 <sup>9</sup> / <sub>16</sub>	9 <sup>1</sup> / <sub>8</sub>	64 <sup>1</sup> / <sub>2</sub>	Direct Burial
U5200-XL-75	U5220-XL-75	Unmetered	C	Z	5 <sup>9</sup> / <sub>16</sub>	9 <sup>1</sup> / <sub>8</sub>	64 <sup>1</sup> / <sub>2</sub>	Direct Burial
U5300-O	U5320-O	Metered	—	—	5 <sup>9</sup> / <sub>16</sub>	9 <sup>1</sup> / <sub>8</sub>	70 <sup>1</sup> / <sub>4</sub>	Direct Burial
U5300-O-41	U5320-O-41	Metered	A	X	5 <sup>9</sup> / <sub>16</sub>	9 <sup>1</sup> / <sub>8</sub>	70 <sup>1</sup> / <sub>4</sub>	Direct Burial
U5300-O-55	U5320-O-55	Metered	B	Y	5 <sup>9</sup> / <sub>16</sub>	9 <sup>1</sup> / <sub>8</sub>	70 <sup>1</sup> / <sub>4</sub>	Direct Burial
U5300-O-75	U5320-O-75	Metered	C	Z	5 <sup>9</sup> / <sub>16</sub>	9 <sup>1</sup> / <sub>8</sub>	70 <sup>1</sup> / <sub>4</sub>	Direct Burial

### Receptacle Configurations

A	B	C
(1) TT30R, (1) 5-20R GFI	(1) 14-50R, (1) 5-20R GFI	(1) 14-50R, (1) TT30R, (1) 5-20R GFI

### Circuit Breaker Configurations

X	Y	Z
(1) 30A, 1P, 120V (1) 20A, 1P, 120V	(1) 50A, 2P, 120/240V (1) 20A, 1P, 120V	(1) 50A, 2P, 120/240V (1) 30A, 1P, 120V (1) 20A, 1P, 120V

### NOTE

These units are typically used for submetering applications.

Contact factory for additional configurations not shown here.

### DISCLAIMER

Not meant for utility metered installations.

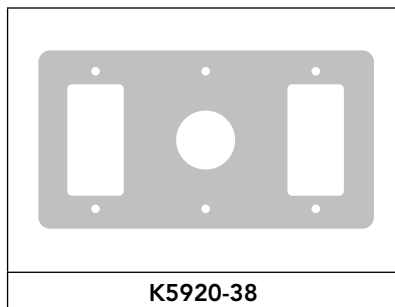
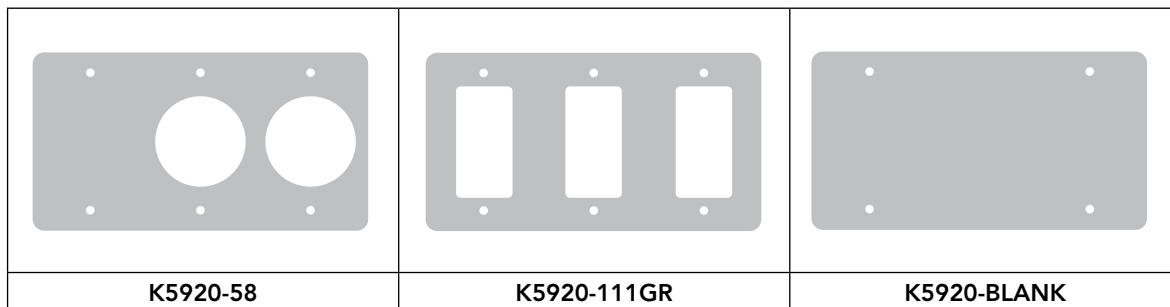
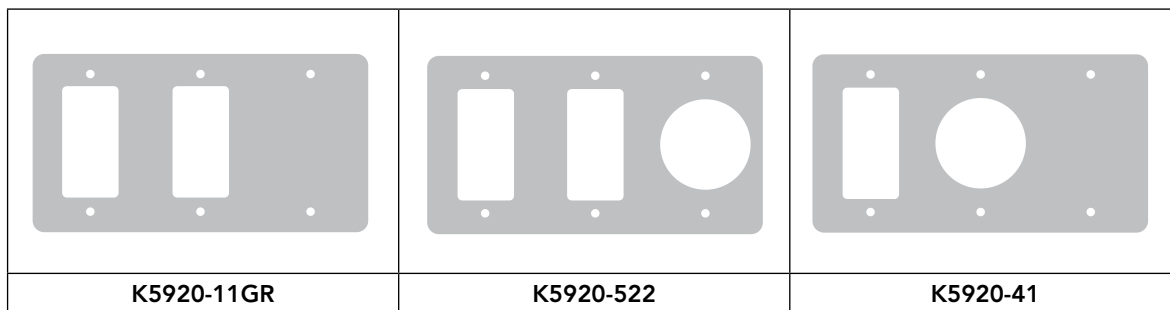
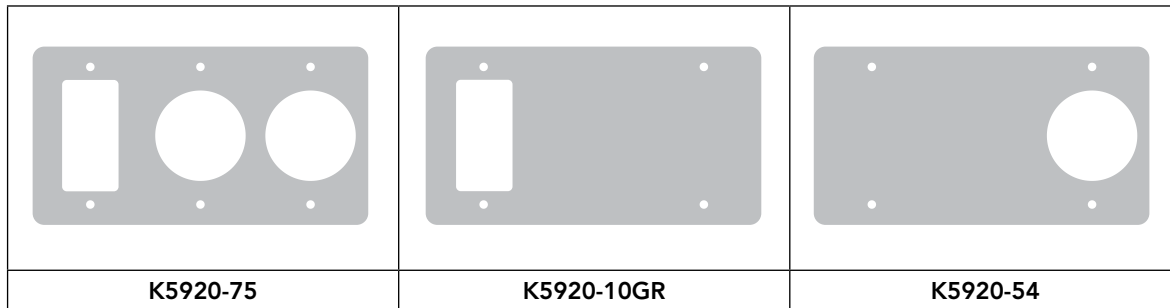


Please consult serving utility for their requirements prior to ordering or installing. Specifications and approvals vary by utility, and may require local electrical inspector approval. All installations must be installed by a licensed electrician and must comply with all national and local codes, laws and regulations. Milbank reserves the right to make changes in specifications and features shown without notice or obligation.



# Replacement Receptacle Plates

For Millennium Series RV Products





Consult factory for application details.

Please consult serving utility for their requirements prior to ordering or installing. Specifications and approvals vary by utility, and may require local electrical inspector approval. All installations must be installed by a licensed electrician and must comply with all national and local codes, laws and regulations. Milbank reserves the right to make changes in specifications and features shown without notice or obligation.




### Internal Light Kits for Metered Power Outlets (U5100 and U5300)

<b>Application</b>	Internal light kit for metered power outlets.	
<b>LED Features</b>	Includes new LED light, lamp shield and opaque hinge cover lens. Factory wired to 20 Amps GFI circuit. May be wired to separate 20 Amps circuit breaker. Order <b>Q120</b> separately.  Cover on metered power outlet is 15¼" in height.	
<b>Ordering</b>	Order with <b>-LD</b> suffix (after catalog number) for factory-installed.  Order catalog number <b>K6213</b> for field-installed.	

<b>Application</b>	Internal light kit for metered power outlets.	
<b>Fluorescent Features</b>	Includes 5-watt fluorescent lamp socket, ballast, lamp shield and opaque hinge cover lens. Factory-wired to 20 Amps GFI circuit. May be wired to separate 20 Amps circuit breaker. Order <b>Q120</b> separately.  Cover on metered power outlet is 15¼" in height.	
<b>Ordering</b>	Order with <b>-L</b> suffix (after catalog number) for factory-installed.  Order catalog number <b>K5412</b> for field-installed.	

### Photoelectric Light Control Kit

<b>Application</b>	Photoelectric light control kit for <b>K5412</b> light kits.	
<b>Features</b>	2.5 Amps, 120 volt photo electrical control wired in series with <b>K5412</b> light kits.	
<b>Ordering</b>	Order with <b>-LPC</b> suffix for factory-installed light and PE control.  Order catalog number <b>K5413</b> for field-installed.	


### WARNING!

Always disconnect power prior to installing these devices.




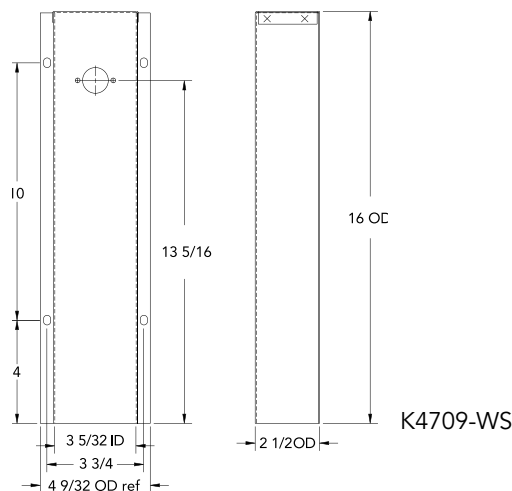
Please consult serving utility for their requirements prior to ordering or installing. Specifications and approvals vary by utility, and may require local electrical inspector approval. All installations must be installed by a licensed electrician and must comply with all national and local codes, laws and regulations. Milbank reserves the right to make changes in specifications and features shown without notice or obligation.

### Telephone and Cable TV Kit

<b>Application</b>	Mounts to rear of pedestal series <b>U5200</b> and <b>U5300</b> . May also be adaptable to a wooden or similar structure.	
<b>Features</b>	<p>Single: 16" galvanized raceway, (1) RJ11 telephone jack and (1) Type F coaxial CATV jack.</p> <p>Dual: 16" galvanized raceway, (2) RJ11 telephone jacks and (1) Type F coaxial CATV jack.</p> <p>Includes mounting hardware and instructions.</p>	
<b>Ordering</b>	Single line telephone and cable TV kit order <b>K4709-02</b> .	
<b>Note</b>	Confirm acceptability with Cable TV and Telephone provider before ordering or installing these devices.	
		<b>K4709-02-3R</b> <b>K4709-02</b>

### Water Shroud with Hardware

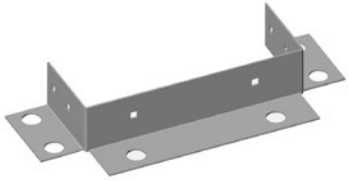
<b>Application</b>	Used to cover water pipe and provide means to mount hose bib to rear of pedestal.	
<b>Features</b>	<p>Includes mounting hardware and instructions.</p> <p>Matches <b>K4709</b> kits when mounted side-by-side.</p>	
<b>Ordering</b>	Order catalog number <b>K4709-WS</b> .	
		<b>K4709-WS</b>



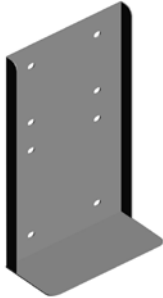
Please consult serving utility for their requirements prior to ordering or installing, as specifications and approvals vary by utility, and may require local electrical inspector approval. All installations must be installed by a licensed electrician and must comply with all national and local codes, laws and regulations. Milbank reserves the right to make changes in specifications and features shown without notice or obligation.




### Field-Installed Pad-Mount Kit

<b>Application</b>	Field-installed pad-mount kit with (6) 3/4" mounting holes.	
<b>Features</b>	Includes 1/4-20 stainless steel hardware to attach pad-mount base to post.  Anchor bolt kit sold separately (order catalog number <b>K5421</b> ).	
<b>Ordering</b>	Order catalog number <b>K5410</b> .	

### Stabilizer Foot with Hardware

<b>Application</b>	Stabilizes direct burial type posts in unstable soil conditions.	
<b>Features</b>	Includes 1/4-20 hardware to attach to <b>U5200</b> and <b>U5300</b> pedestals.	
<b>Ordering</b>	Order catalog number <b>K5415</b> .	

### Anchor Bolt Kit


<b>Application</b>	Concrete anchor bolt kit designed to attach pad-mount base to concrete.	
<b>Features</b>	(4) sets of zinc-plated 5/8-11 x 10" bolt with 2" toe.  Includes nut and flat washer.	
<b>Ordering</b>	Order catalog number <b>K5421</b> .	




Please consult serving utility for their requirements prior to ordering or installing, as specifications and approvals vary by utility, and may require local electrical inspector approval. All installations must be installed by a licensed electrician and must comply with all national and local codes, laws and regulations. Milbank reserves the right to make changes in specifications and features shown without notice or obligation.

## For Millennium Series Products


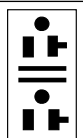


### Field-Installed Meter Kits

<b>Application</b>	Field-installed meter kit for <b>U5000</b> and <b>U5200</b> power outlets.	 <p><b>K4800-D</b> Digital</p>
<b>Features</b>	100 Amps cast meter socket, <b>CL-200D</b> E-Z Read Meter, sealing ring, security seal, 1" Milbank hub, nipple and mounting screws.  See <b>CL200-D</b> for Watthour meter specification.	
<b>Ordering</b>	Order catalog number or <b>K4800-D</b> digital meter kit.	

### E-Z Read Watthour Meter

<b>Application</b>	200 Amps E-Z read watthour meter designed to be field-installed on the <b>U5100</b> and <b>U5300</b> metered power outlets.	 <p><b>CL200-D</b> Digital</p>
<b>Features</b>	200 Amps form 2S 120/240 volt.  Numeric readout in full kilowatt increments. No "tenths" dial; digital readout option available.  Remanufactured within 1% accuracy.	
<b>Ordering</b>	Order catalog number <b>CL200-D</b> .	

### Single Receptacle Only Power Outlet





<b>Application</b>	Overhead/underground power outlet receptacle, suitable for RV, temporary service, campground, marina and boatyard equipment.			 <p><b>P-10GWR</b></p>
<b>Features</b>	Type 3R, 120/240 volt single phase.  Lockable cover.  Breaker not included (in receptacle box).			
<b>Ordering</b>	Order catalog number from chart below.			
<b>Receptacle Options</b>	 <b>P-10GWR</b> 20A 5-20GR 120V GFI	 <b>P-13</b> 30A TT-30R 120V	 <b>P-54</b> 50A 14-50R 120/240V	



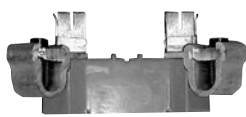

### WARNING!




Always disconnect power prior to installing these devices.



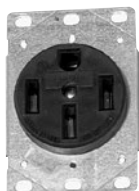
Please consult serving utility for their requirements prior to ordering or installing, as specifications and approvals vary by utility, and may require local electrical inspector approval. All installations must be installed by a licensed electrician and must comply with all national and local codes, laws and regulations. Milbank reserves the right to make changes in specifications and features shown without notice or obligation.



			
<b>Q120</b> 20 Amps, 1 pole circuit breaker	<b>708784-MO</b> 20 Amps, 1 pole GFI circuit breaker	<b>Q130</b> 30 Amps, 1 pole circuit breaker	<b>Q250</b> 50 Amps, 2 pole circuit breaker

			
<b>Z918466-AC</b> Lug landing base	<b>Z917602-AC</b> Circuit breaker base (6-circuit)	<b>Z915141-AC</b> Left or right meter block assembly	<b>Z1002769</b> Ground assembly for unmetered version

		
<b>Z918449-AC</b> (19" unmetetered) <b>Z918447-AC</b> (15" metetered) Hinge cover	<b>Z818052-SC</b> (19" unmetetered) <b>Z818480-SC</b> (15" metetered) Deadfront	<b>MR-2</b> Snap action sealing ring

		
<b>Z708080-MO</b> 20 Amps GFI receptacle NEMA 5-20GR	<b>Z701776-MO</b> 30 Amps receptacle NEMA TT-30	<b>Z708767-MO</b> 50 Amps receptacle NEMA 14-50R



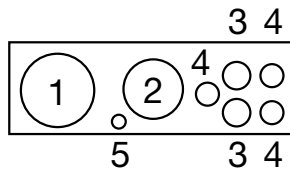
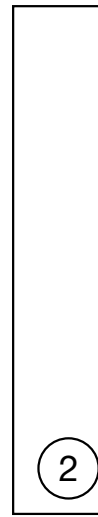
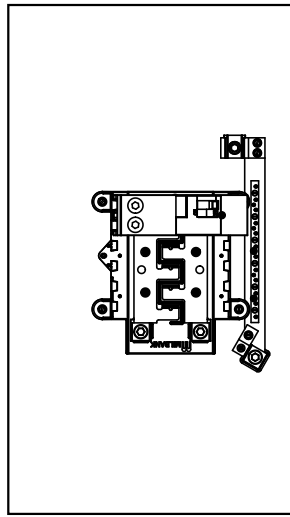
Please consult serving utility for their requirements prior to ordering or installing, as specifications and approvals vary by utility, and may require local electrical inspector approval. All installations must be installed by a licensed electrician and must comply with all national and local codes, laws and regulations. Milbank reserves the right to make changes in specifications and features shown without notice or obligation.

# Unmetered Load Centers

200 Amps | 120/240V



U5971-XL-200



5971

### Breaker Chart

Rating kAIC	Circuit Breakers 125 Amps
10	Siemens: QP. Cutler Hammer: BR, HQP, QPGF Square D/Homeline: GE (50 Amps max) THQL, THQL-GF
Rating kAIC	150-200 Amps
10	Siemens: QN

### 100-200 Amps | 120/240V | Unmetered Load Center with Main Breaker

Catalog Number	Main Breaker Amps	Circuits	Service	Hub	Dimensions			Knockouts				
					D"	W"	H"	1	2	3	4	5
U5971-XL-100	100	10	OH/UG	C.P.	4½	14⅞	25 1/16	3	2	1	1½, ¾	¼, ½
U5971-XL-150	150	8	OH/UG	C.P.	4½	14⅞	25 1/16	3	2	1	1½, ¾	¼, ½
U5971-XL-200	200	8	OH/UG	C.P.	4½	14⅞	25 1/16	3	2	1	1½, ¾	¼, ½

### Notes

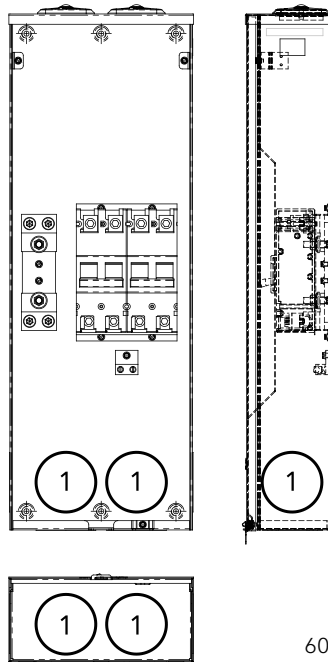
- **AIC rating:** This units are rated 10K AIC.
- **Breaker interlock:** U5971 accepts breaker interlock kits. Order **K5815** for large **QN** with small frame **Q**, **K5820** for large frame **QN** with large frame **QN** or **K5830** for small frame **Q**.

Please consult serving utility for their requirements prior to ordering or installing. Specifications and approvals vary by utility, and may require local electrical inspector approval. All installations must be installed by a licensed electrician and must comply with all national and local codes, laws and regulations. Milbank reserves the right to make changes in specifications and features shown without notice or obligation.





U6064-XTL-200-200



6064



U6064-XTL-200-200

## Specifications

- 120/240V, 1Ø applications
- UL-listed
- Available for two **UQFB** style breakers in any combo of 100, 150, 200 Amps
- 10K AIC rated
- Removable front cover and deadfront
- Type 3R 16-gauge G90 galvanized steel shell
- Light gray polyester powder coat finish

### 100-200 Amps | Breaker Enclosures | 120/240V | 1Ø

Catalog Number	Service	Hub	Dimensions			Knockouts
			D"	W"	H"	
U6064-XTL-100-100	OH	(2) C.P.	4 <sup>27</sup> / <sub>32</sub>	11	31	3
U6064-XTL-150-150	OH	(2) C.P.	4 <sup>27</sup> / <sub>32</sub>	11	31	3
U6064-XTL-200-200	OH	(2) C.P.	4 <sup>27</sup> / <sub>32</sub>	11	31	3

### 100-200 Amps | Circuit Breakers

10K AIC Bolt-On	Amps	Wire Range	
		CU	AL
UQFB-100	100	#3-#1	#1-1/0
UQFB-150	150	1/0-300	2/0-300
UQFB-200	200	1/0-300	2/0-300

### 100-200 Amps | Breaker Enclosures | 120/240V | 1Ø

Catalog Number	Service	Hub	Dimensions			Knockouts
			D"	W"	H"	
U4569-XL-100	OH	CP	4 <sup>27</sup> / <sub>32</sub>	11	31	3
U4569-XL-150	OH	CP	4 <sup>27</sup> / <sub>32</sub>	11	31	3
U4569-XL-200	OH	CP	4 <sup>27</sup> / <sub>32</sub>	11	31	3

## Notes

- **Application:** To be used in conjunction with 320 Amps, single phase meter sockets or when the utility requires a separate enclosure for the meter socket and main breaker.



Please consult serving utility for their requirements prior to ordering or installing. Specifications and approvals vary by utility, and may require local electrical inspector approval. All installations must be installed by a licensed electrician and must comply with all national and local codes, laws and regulations. Milbank reserves the right to make changes in specifications and features shown without notice or obligation.





UQFP  
UQFPH



UQFP-M  
UQFPH-M



UQFB-X1



UQFBH

### 100-200 Amps Frame | 120/240V | Plug-In | 10K AIC and 22K AIC | 2-Pole - Common Trip

Amps	10K AIC Plug-In	22K AIC Plug-In	10K AIC Plug-In	22K AIC Plug-In	Wire Range	
					CU	AL
100	UQFP-100	UQFPH-100	UQFP-M-100	UQFPH-M-100	#3-#1	#1-1/0
125	UQFP-125	UQFPH-125	UQFP-M-125	UQFPH-M-125	#3-#1	#1-1/0
150	UQFP-150	UQFPH-150	UQFP-M-150	UQFPH-M-150	1/0-300	2/0-300
200	UQFP-200	UQFPH-200	UQFP-M-200	UQFPH-M-200	1/0-300	2/0-300

### 100-200 Amps Frame | 120/240V | Bolt-On | 10K AIC and 22K AIC | 2-Pole - Common Trip

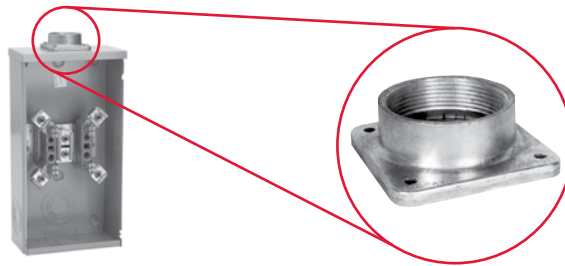
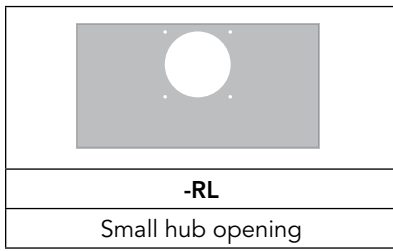
Amps	10K AIC Bolt-On	22K AIC Bolt-On	10K AIC Bolt-On	22K AIC Bolt-On	Wire Range	
					CU	AL
100	UQFB-100	UQFBH-100	UQFB-100-X1	UQFBH-M-100	#3-#1	#1-1/0
125	UQFB-125	UQFBH-125	UQFB-125-X1	UQFBH-M-125	#3-#1	#1-1/0
150	UQFB-150	UQFBH-150	UQFB-150-X1	UQFBH-M-150	1/0-300	2/0-300
200	UQFB-200	UQFBH-200	UQFB-200-X1	UQFBH-M-200	1/0-300	2/0-300

### Notes

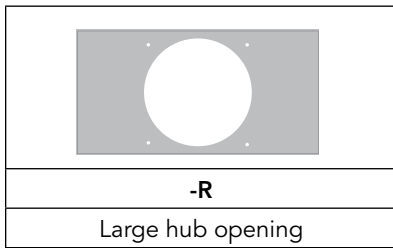
- **UL-listed:** For use with 60°C or 75°C wire.
- **UQFP:** For parallel main circuit breaker applications.
- **UQFP-M:** For series main circuit breaker applications Split load tab features allow for feed-through capability.
- **UQFB:** (Two) 1/0-300 lugs provided on load and line side (cable-in, cable-out).
- **UQFB3:** Three-pole available. Consult factory.
- **UQFB-X:** (Two) 1/0-300 lugs provided on load side and (two) line bar bus connections on line side.
- **UQFB-M:** For series main circuit breaker applications. Split load tab features allow for feed-through capability.

Please consult serving utility for their requirements prior to ordering or installing. Specifications and approvals vary by utility, and may require local electrical inspector approval. All installations must be installed by a licensed electrician and must comply with all national and local codes, laws and regulations. Milbank reserves the right to make changes in specifications and features shown without notice or obligation.





<b>-WL</b>   <b>A7514</b>	<b>-YL</b>   <b>A7515</b>	<b>-ZL</b>   <b>A7516</b>	<b>-DL</b>   <b>A7517</b>	<b>-EL</b>   <b>A7518</b>	<b>-XL</b>   <b>A7551</b>
1" hub	1 1/4" hub	1 1/2" hub	2" hub	2 1/2" hub	Small closing plate



<b>-F</b>   <b>A8110</b>	<b>-G</b>   <b>A8111</b>	<b>-H</b>   <b>A8112</b>	<b>-X</b>   <b>A9064</b>	<b>-RRL</b>   <b>S8324</b>	<b>-RXL</b>   <b>S8324</b>   <b>A7551</b>
3" hub	3 1/2" hub	4" hub	Large closing plate	Large hub opening adapted to small hub opening	Large hub opening adapted to small closing plate

### Notes

- **Suffix:** Add to catalog number for factory installation of hub.
- **Packaging:** Individually packed units for field installation.
- **Abbreviations:** H.O. (hub opening), C.P. (closing plate).



Please consult serving utility for their requirements prior to ordering or installing. Specifications and approvals vary by utility, and may require local electrical inspector approval. All installations must be installed by a licensed electrician and must comply with all national and local codes, laws and regulations. Milbank reserves the right to make changes in specifications and features shown without notice or obligation.

## Connector Kits and Closing Kits

### Connector Kits — For Use with 3/8"-16 Stud Type Units Only

Single			Twin		
Suffix	Part #	(3 per set) - 1Ø	Suffix	Part #	(3 per set) - 1Ø
K1	<b>K1539</b>	6-350	K2	<b>K1350</b>	6-350
K3	<b>K1540</b>	4-600 or (2) 1/0-250*	K2L	<b>K1350L</b>	6-350 (non-rotating)
K3L	<b>K1540L</b>	4-600 or (2) 1/0-250* (non-rotating)	K4	<b>K1541</b>	4-600
Suffix	Part #	(4 per set) - 3Ø	Suffix	Part #	(4 per set) - 3Ø
K5	<b>K3082</b>	6-350	K6	<b>K3442</b>	6-350
K7	<b>K3441</b>	4-600 or (2) 1/0-250*	K8	<b>K3083</b>	4-600

\*For (two) 1/0-250, conductors must be of same size.

### ANSI-61-Gray



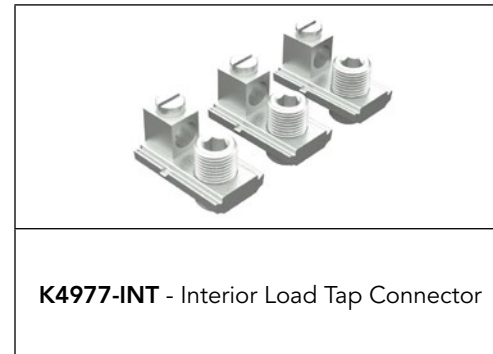
**A-GP**

12 oz. spray can of gray paint

### Closing Covers

Meter Closing Plate (Ring Type/Ringless)	Metal Closing Plate (For Ringless Sockets)
<b>6003</b> - Gray Plastic	<b>CP-21</b>
<b>6116</b> - Clear Plastic	
<b>6002</b> - Clear Plastic	

### Tap Connector



### Disconnect Sleeve



### Bypass Link



### Note



Consult factory for proper connector kits for studded meter sockets.

Please consult serving utility for their requirements prior to ordering or installing. Specifications and approvals vary by utility, and may require local electrical inspector approval. All installations must be installed by a licensed electrician and must comply with all national and local codes, laws and regulations. Milbank reserves the right to make changes in specifications and features shown without notice or obligation.



## Fifth Terminals, Isolated Neutrals and Anti-Inversion Clip

### Fifth Terminals


	
<b>K5T</b> - 200 Amps (Block with square hole)	<b>K3865</b> - Heavy duty jaw clamping ( <b>K3866</b> without neutral wire)

\*Consult factory for correct fifth terminal.

### Isolated Neutral Kit

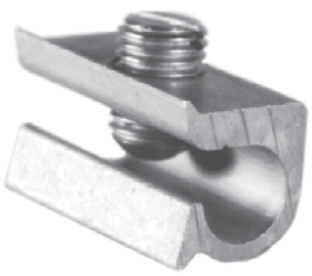

<b>K1047*</b>

### Anti-Inversion Clip


<b>K4802</b>

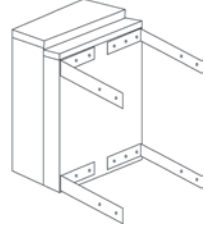
\*Isolated neutrals are specific to the meter socket. Consult factory for correct isolated neutral.

### Triplex Ground


<b>K1190</b> (For factory-installed triplex ground, add suffix -TG to catalog number)

### Pole Hanger Kit


850 comes with four pole hangers

	
Catalog Number	Description of Pole Hanger Brackets
<b>830</b>	One Pair (two pieces) with mounting hardware.
<b>850</b>	Two pair (4 pieces) with mounting hardware.

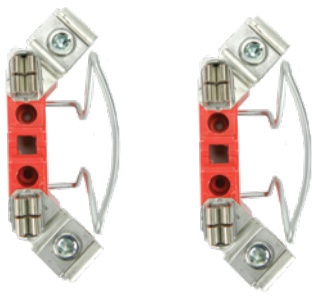


Please consult serving utility for their requirements prior to ordering or installing. Specifications and approvals vary by utility, and may require local electrical inspector approval. All installations must be installed by a licensed electrician and must comply with all national and local codes, laws and regulations. Milbank reserves the right to make changes in specifications and features shown without notice or obligation.

### 100 Amps Blocks (Single Sockets Only)

	
<b>BL7474</b> - Block assembly	
<b>BL7499</b> - Horn bypass block assembly	
<b>Z904486-AO</b> - Slotted nut assembly	
<b>Z903274-AO</b> - Horn bypass nut assembly	
<b>Z802965-AC</b> - Neutral without nut	
<b>Z901925-AC</b> - Hex nut set screw	

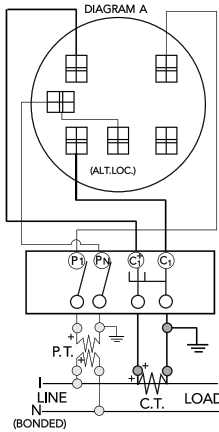
### 200 Amps Blocks (Single Sockets Only)

	
<b>K4527</b> - Internal hex block assembly (with meter support)	
<b>K4528</b> - External hex block assembly (with meter support)	
<b>K4529</b> - Internal hex horn bypass block assembly with meter support)	
<b>K4530</b> - External hex horn bypass block assembly (with meter support)	
<b>Z916265-AO</b> - Internal nut assembly	
<b>Z916264-AO</b> - External nut assembly	
<b>Z814898-AC</b> - Neutral without nut	

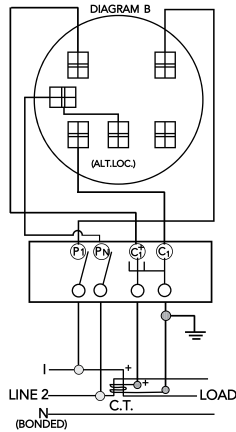
Please consult serving utility for their requirements prior to ordering or installing. Specifications and approvals vary by utility, and may require local electrical inspector approval. All installations must be installed by a licensed electrician and must comply with all national and local codes, laws and regulations. Milbank reserves the right to make changes in specifications and features shown without notice or obligation.



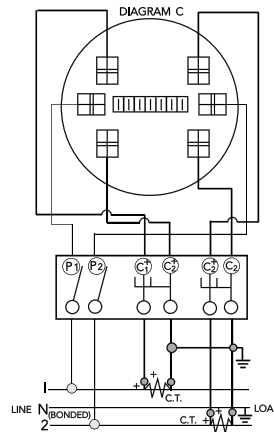
**DIAGRAM A**  
 1Ø2W with 1 P.T. and 1 C.T.  
 Single Stator Meter (2W1Ø) - Form 3S  
 5T Socket, Test Switch #TS04-0101



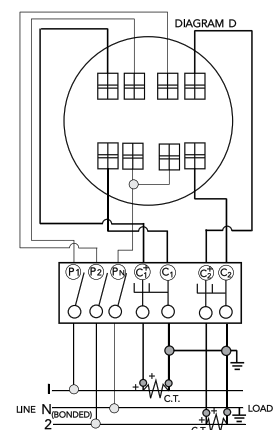
**DIAGRAM B**  
 1Ø3W with 1 C.T.  
 Single Stator Meter (2W1Ø) - Form 3S  
 5T Socket, Test Switch #TS04-0101



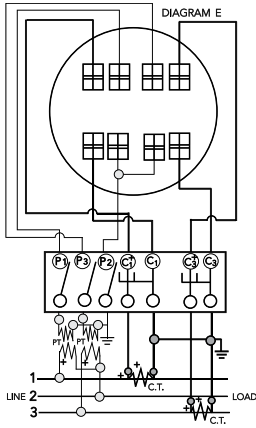
**DIAGRAM C**  
 1Ø3W with 2 C.T.'s  
 Single Stator Meter (3W1Ø) - Form 4S  
 6T Socket, Test Switch #TS07-0105



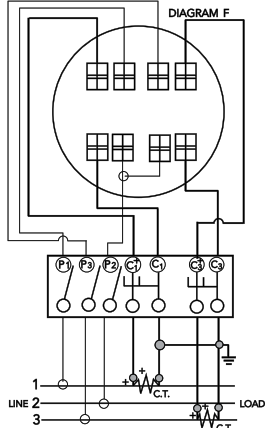
**DIAGRAM D**  
 1Ø3W or 3W Network with 2 C.T.'s  
 2 Stator Meter - Form 5S  
 8T Socket, Test Switch #TS07-0105



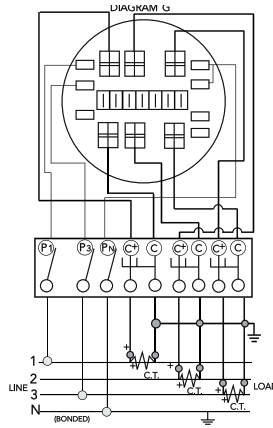
**DIAGRAM E**  
 3Ø3W "Δ" with 2 P.T.'s and 2 C.T.'s  
 2 Stator Meter - Form 5S  
 8T Socket, Test Switch #TS07-0105



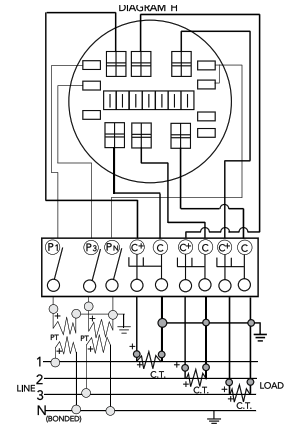
**DIAGRAM F**  
 3Ø3W "Δ" with 2 C.T.'s  
 2 Stator Meter - Form 5S  
 8T Socket, Test Switch #TS07-0105



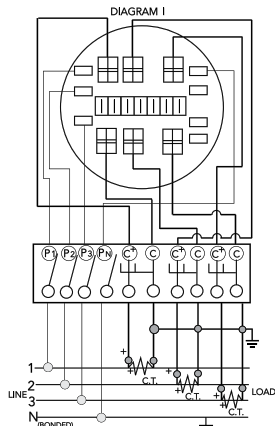
**DIAGRAM G**  
 3Ø3W "Y" with 3 C.T.'s  
 2 1/2 Stator Meter - Form 6S  
 13T Socket, Test Switch #TS10-0109



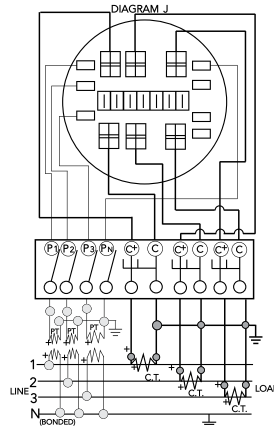
**DIAGRAM H**  
 3Ø4W "Y" with 2 P.T.'s and 3 C.T.'s  
 2 1/2 Stator Meter - Form 6S  
 13T Socket, Test Switch #TS10-0109



**DIAGRAM I**  
 3Ø4W "Y" or "Δ" with 3 C.T.'s  
 "Y" 3 Stator Meter - Form 9S  
 "Δ" 2 Stator Meter - Form 8S  
 13T Socket, Test Switch #TS10-0109



**DIAGRAM J**  
 3Ø4W "Y" with 3 P.T.'s and 3 C.T.'s  
 3 Stator Meter - Form 9S  
 13T Socket, Test Switch #TS10-0109



### Prewiring

If standard factory prewiring is required, refer to wiring diagrams on this page. Determine appropriate diagram and send a copy with order. If custom factory prewiring is required, specify on order. Be sure to include meter socket catalog number, test switch make and catalog number, meter form number and provide a copy of your wiring diagram.



Please consult serving utility for their requirements prior to ordering or installing. Specifications and approvals vary by utility, and may require local electrical inspector approval. All installations must be installed by a licensed electrician and must comply with all national and local codes, laws and regulations. Milbank reserves the right to make changes in specifications and features shown without notice or obligation.

## Reference Information

### MAXIMUM NUMBER OF CONDUCTORS IN CONDUIT

Table from 2008 NEC Code Reference: Rigid Metal Conduit

Type	Conductor Size (AWG/kcmil)	Conduit Trade Sizes (Inches)									
		1/2	3/4	1	1 1/4	1 1/2	2	2 1/2	3	3 1/2	4
THHN, THWN, THWN-2	12	9	16	26	46	62	102	146	225	301	387
	10	6	10	17	29	39	64	92	142	189	244
	8	3	6	9	16	22	37	53	82	109	140
	6	2	4	4	12	16	27	38	59	79	101
	4	1	2	4	7	10	16	23	36	48	62
	3	1	1	3	6	8	14	20	31	41	53
	2	1	1	3	5	7	11	19	26	34	44
	1	1	1	1	4	5	8	12	19	25	35
	1/0	1	1	1	3	4	7	10	16	21	27
	2/0	0	1	1	2	3	6	8	13	18	23
XHH, XHHW, XHHW-2	3/0	0	1	1	1	3	5	7	11	15	19
	4/0	0	1	1	1	2	4	6	9	12	16
	4	1	2	4	7	10	16	24	37	49	63
	2	1	1	3	5	7	12	17	26	35	45
	1/0	1	1	1	3	4	7	10	16	22	28
	2/0	0	1	1	2	3	6	9	13	18	23
	4/0	0	1	1	1	2	4	6	9	12	16
	250	0	0	1	1	1	3	5	7	10	13
350	0	0	1	1	1	2	3	6	7	10	
500	0	0	0	1	1	1	2	4	5	7	
750	0	0	0	0	1	1	1	3	4	5	

This table is for concentric stranded conductors only. For cables with compact conductors refer to NEC. Refer to latest NEC Code or Local Codes for updated requirements.

### SAMPLE RATING LABEL

CATALOG NUMBERS U5952 & U5953  
100A MAXIMUM, 120/240 VAC SINGLE PHASE, THREE WIRE  
RAINPROOF NEMA TYPE 3R

SHORT CIRCUIT CURRENT RATING IS 10,000 RMS SYMMETRICAL AMPERE AT 240 VAC MAXIMUM, BUT IS LIMITED TO THE LOWEST SHORT CIRCUIT CURRENT RATING OF ANY INSTALLED CIRCUIT BREAKER. WATTHOUR METER NOT INCLUDED IN SHORT CIRCUIT CURRENT RATING. REPLACEMENT CIRCUIT BREAKER MUST BE THE SAME TYPE AND RATING. USE SIEMENS QP, QT; CUTLER-HAMMER QP, BD, BR; SQUARE D HOMELINE; G.E. TQ, THQ, THL.

SUITABLE FOR USE AS RECREATIONAL VEHICLE SITE SUPPLY EQUIPMENT

UNDERGROUND FEED ONLY

ON TRIP OFF

TO RESET BREAKER MOVE TO "OFF" THEN TO "ON"

**DANGER**  
HAZARD OF ELECTRICAL SHOCK OR BURN  
**TURN OFF POWER**  
SUPPLYING THIS EQUIPMENT BEFORE WORKING INSIDE

WIRE TERMINAL INFORMATION USE AL-CU CONDUCTORS		
TERMINAL	WIRE RANGE	TORQUE LB-IN
LINE AND LINE NEUTRAL	350 kcmil - # 6	250
GROUND CONNECTOR	2/0 AWG - #14 AWG	120
LOAD NEUTRAL SLOTTED HEAD (LARGE HOLE)	14 - 10 8 6 - 4 3 - 1/0	35 40 45 50
LOAD NEUTRAL SLOTTED HEAD (SMALL HOLE)	14 - 10 8 6	20 25 35

SHIPPING TENDS TO LOOSEN BOLTED CONNECTIONS. CHECK AND TIGHTEN ALL HARDWARE BEFORE ENERGIZING UNIT.

SIZE OF FIELD INSTALLED CONDUCTORS SHALL BE 60° OR 75° C SIZED TO 80° C RATING FOR 110 AMPS OR LESS AND 75° C SIZED TO 75° C FOR 125 AMPS AND ABOVE.

### \* ALLOWABLE AMPACITIES OF INSULATED COPPER & \*\* ALUMINUM CONDUCTORS (3W IN CONDUIT) 75° C (167° F)

A		AL or **CU-Clad AL	
A	B	A	B
18	—	—	—
16	—	—	—
14	20†	—	—
12	25†	12	20†
10	35†	10	30†
8	50	8	40
6	65	6	50
4	85	4	65
3	100	3	75
2	115	2	90
1	130	1	100
1/0	150	1/0	120
2/0	175	2/0	135
3/0	200	3/0	155
4/0	230	4/0	180
250	255	250	205
300	285	300	230
350	310	350	250
400	335	400	270
500	380	500	310
600	420	600	340
700	460	700	375
750	475	750	385

A = Size: AWG/MCM  
 \*B = Ampere Rating for Insulation Types:  
**FEPW, RH, RHW, THW, THWN, XHHW, USE, 2W.**  
 \*\*C = Ampere Rating for Insulation Types:  
**RH, RHW, THW, THWN, XHHW, USE (Per NEC table 310-16)**

### AMPACITY CORRECTION FACTORS

Ambient Temp. C°	Correction Factor	Ambient Temp. F°
21 - 25	1.05	70 - 77
25 - 30	1.00	78 - 86
31 - 35	.94	87 - 95
36 - 40	.88	96 - 104
41 - 45	.82	105 - 113
46 - 50	.75	114 - 122
51 - 55	.67	123 - 131
56 - 60	.58	132 - 140
61 - 65	.33	141 - 158

### GANG SOCKET OVERALL AMPACITIES

# of Meter Pos.	100A/Pos. Ampacity	125A/Pos. Ampacity	150A/Pos. Ampacity	200A/Pos. Ampacity
2	200A	200A	200A	200A #
3	200A	225A	225A	270A
4	200A	250A	270A	360A
5	225A	285A	338A	450A
6	270A	330A	396A	528A

Overall Ampere ratings of UL-listed Milbank multiple position meter sockets are based on **2008 NEC Handbook Article 220-84** and **ANSI / UL-414** (except where restricted by line connector size). These requirements provide for a diversity factor / demand factor being utilized in determining the overall (main bus / lug) rating of a gang socket. All Milbank UL-listed gang sockets meet or exceed these diversity factor/demand and factor requirements. Standard overall Ampacity ratings for UL-listed and non-UL-listed gang sockets are as shown in the chart below. Ampere ratings of meter sockets are based on the meter socket being wired with 75° C insulated wire conductor, sized in accordance with **Table 310-16** of the **National Electric Code**.

† Unless otherwise permitted elsewhere in the Code, the overcurrent protection for conductor types marked with an obelisk (†) shall not exceed 15 Amps for 14 AWG, 20 Amps for 12 AWG, and 30 Amps for 10 AWG copper; or 15 Amps for 12 AWG and 25 Amps for 10 AWG aluminum and copper-clad aluminum after any correction factors for ambient temperature and number of conductors have been applied.

# Some constructions are rated at 400 Amps overall (1252). Contact your sales representative for more information. Refer to latest NEC Code or Local Codes for updated requirements.

Please consult serving utility for their requirements prior to ordering or installing. Specifications and approvals vary by utility, and may require local electrical inspector approval. All installations must be installed by a licensed electrician and must comply with all national and local codes, laws and regulations. Milbank reserves the right to make changes in specifications and features shown without notice or obligation.



### Important Note

In addition to national and local electrical codes, many utilities have specific requirements for metering equipment. Always consult the serving utility for their specifications and requirements prior to ordering or installing Milbank meter mounting equipment.

### Before Energizing

1. Give equipment a thorough visual examination to determine that:
  - a) no shipping or installation damage exists.
  - b) proper clearances have been maintained.
  - c) all connections have been made.
  - d) equipment is clean and dry.
2. Make a thorough examination to:
  - a) verify tightness of all bolted connections (see table below).
  - b) manually operate all circuit breakers, switches, relays, etc.
  - c) check rigidity of all mountings, bus bars and components.
  - d) use test equipment to check continuity of circuitry and integrity of insulation.
3. All switches and circuit breakers should be in the OFF position.
4. Verify that manual meter bypass (if applicable) is in non-bypass position.
5. Install cover and/or close doors.
6. If installation is not being energized at this time, follow "after-energizing" steps listed below. These steps will secure the installation in case of accidental energization.

### When Energizing

1. Use caution and follow established safety procedures:
  - a) wear safety apparel.
  - b) use safety equipment.
  - c) take action to prevent injury to yourself and others in the event of failure of the installation.
  - d) take action to prevent/decrease damage to property in the event of failure of the installation.
  - e) if you are unsure how to safely energize the installation, get someone who is knowledgeable to do it.

### After Energizing

1. Secure the installation:
  - a) to prevent accidental contact with energized parts, cover all openings with approved filler devices.
  - b) to prevent unauthorized access, secure all covers and/or doors with approved security devices.
  - c) attach/post information to advise others of potential hazards associated with the installation.

### Recommended Torque for General Applications\*

Nominal Size	Joint Description		Head Type	Torque (Inch Lbs.)
	Screw	Nut		
10	Brass	Brass nut or extruded hole	All	20-25 inch lbs.
10	Steel	Copper or aluminum busbar ≤ 1/8"	All	25-30 inch lbs.
10	Steel	Steel nut or extruded hole; CU or AL busbar > 1/8"	All	30-35 inch lbs.
12	Steel	Aluminum extruded hole	All	30-35 inch lbs.
12	Steel	Steel nut or extruded hole	All	40-50 inch lbs.
1/4	Steel	Aluminum extruded hole	All	40-50 inch lbs.
1/4	Steel	Steel nut or extruded hole; CU or AL busbar	All	50-60 inch lbs.
5/16	Steel	Aluminum extruded hole	Hex	60-70 inch lbs.
5/16	Steel	Steel nut or extruded hole; CU or AL busbar	Hex	100-150 inch lbs.
3/8	Steel	Steel nut	Hex	150-200 inch lbs.
1/2	Steel	Steel nut	Hex	200-250 inch lbs.

\* Interior labels typically indicate the required torque for wire connectors and studs, and should be referenced first.  
CU: Copper  
AL: Aluminum



Please consult serving utility for their requirements prior to ordering or installing. Specifications and approvals vary by utility, and may require local electrical inspector approval. All installations must be installed by a licensed electrician and must comply with all national and local codes, laws and regulations. Milbank reserves the right to make changes in specifications and features shown without notice or obligation.



## Reference Information

### Materials

#### Steel Quality

---

The meter equipment listed in this catalog is made of galvanized steel (AISI\* G90) to maximize weather resistance.

\*American Iron and Steel Institute.

#### Steel Sheet

---

16-gauge, galvanized, sheet: 1 1/4 oz./ sq.ft. class zinc-coated. (AISI G90)

14-gauge, galvanized, sheet: 1 1/4 oz./ sq.ft. class zinc-coated.

#### Aluminum Extrusion

---

**Wire-terminals:** Alloy; 6061-T6, tin-plated for CU/AL wire.

**Bus bar:** Alloy; 6101-O and 6063-O

#### Aluminum Sheet

---

3000 series aluminum sheet, H14, or 5052 series aluminum sheet, H32. Where applicable thicknesses range from .064 – .125.

#### Copper Sheet and Bus

---

Electrolytic copper with tin plating in most applications.

#### Insulating Materials

---

- In most units, support bases for current-carrying components are molded from fiberglass reinforced high-strength, track resistant thermoset polyester molding compounds.
- Clear or black safety shields and polarity barriers are molded from high-strength, track resistant, polycarbonate molding compounds.
- Various sheet insulating materials, as appropriate for the application are utilized in the fabrication of flat, formed and punched component parts and barriers.

### Finish

#### Process

---

Light gray state-of-the-art electrostatically applied powder paint offers a durable, non-fading finish. For further information concerning the chemical analysis of the weather-resistant finish, please contact your local Milbank Manufacturers' Representative.

#### Metal Fasteners

---

Zinc-coated with a chromate dip.

### Ratings and Compliance

#### Ratings and Compliance

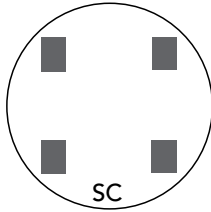
---

All Milbank electrical enclosures in this catalog are rated NEMA Type 3R enclosure unless otherwise specified on individual product pages. All enclosures with a UL designation are constructed per the appropriate UL standard and may be installed per the National Electric Code. UL procedure files associated with the UL Standards are listed as follows: Meter Sockets (UL 414, File E30202), Test Switches (UL 414, File E62531), Power Outlets (UL 231, File E90945), Panelboards (UL 67, File E32628) and Pullout Switches (UL 1429, File E133062). Additional standards are utilized as applicable: Meter Sockets (ANSI C12.7), Test Switches (ANSI C12.9) and Panelboards (NEMA PB-1).

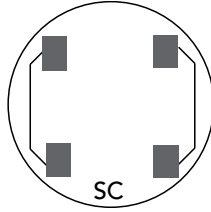
Please consult serving utility for their requirements prior to ordering or installing. Specifications and approvals vary by utility, and may require local electrical inspector approval. All installations must be installed by a licensed electrician and must comply with all national and local codes, laws and regulations. Milbank reserves the right to make changes in specifications and features shown without notice or obligation.



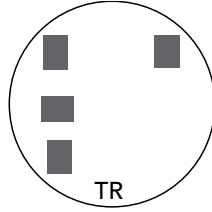
Standard Forms | Transformer Rated or Self-Contained



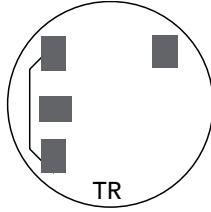
2 and 3-WIRE FORMS 1S & 2S



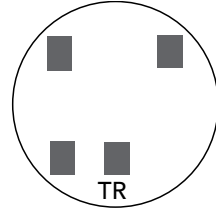
2 and 3-WIRE FORMS 1S & 2S with bypass



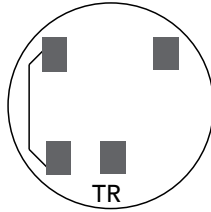
2-WIRE FORM 3S 5th Term. 9 o'clock



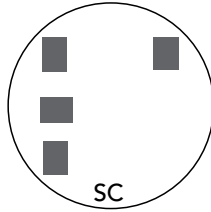
2-WIRE FORM 3S with bypass



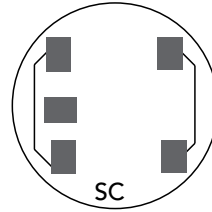
2-WIRE FORM 3S 5th Term. 6 o'clock



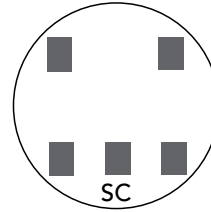
2-WIRE FORMS 3S with bypass



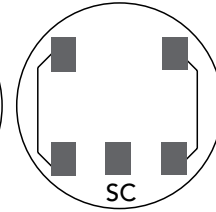
2 ELEMENT 3-WIRE NETWORK FORM 12S 5th Term. 9 o'clock



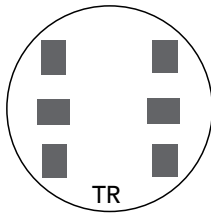
2 ELEMENT 3-WIRE NETWORK FORM 12S 5th Term. 9 o'clock



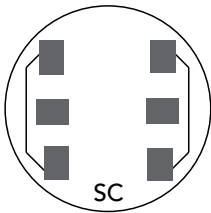
2 ELEMENT 3-WIRE NETWORK FORM 12S 5th Term. 6 o'clock



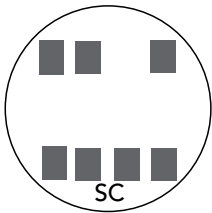
2 ELEMENT 3-WIRE NETWORK FORM 12S with bypass 5th Term. 6 o'clock



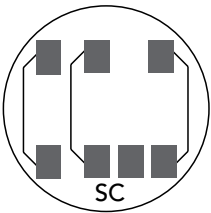
3-WIRE FORMS 4S



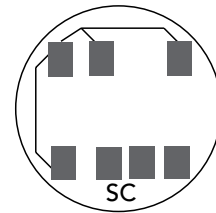
3-WIRE FORM 4S with bypass



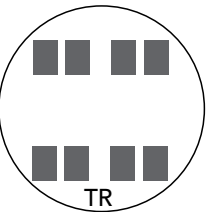
2 or 3 ELEMENT 3Ø4W Y or Δ Y FORM 14S



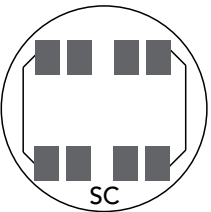
2 or 3 ELEMENT 3Ø4W Y or Δ with bypass



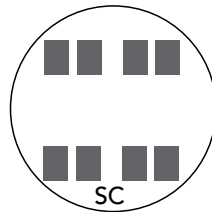
2 ELEMENT 3Ø4W Y or ΔY FORM 7S Δ FORM 24S with bypass



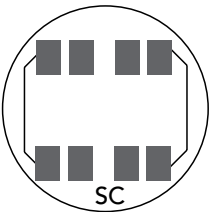
2 ELEMENT 2Ø3W, 2Ø4W, 3Ø3W FORM 5S



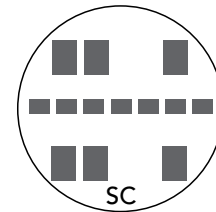
2 ELEMENT 2Ø3W, 2Ø4W, 3Ø3W FORM 5S with bypass



2 ELEMENT 2Ø3W, 2Ø4W, 3Ø3W FORM 13S

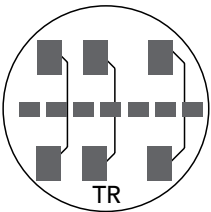


2 or 3 ELEMENT 2Ø3W, 2Ø4W, 3Ø3W FORM 13S with bypass

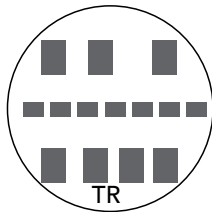


2 or 3 ELEMENT 3Ø4W Y or ΔY FORM 9S Δ FORM 8S

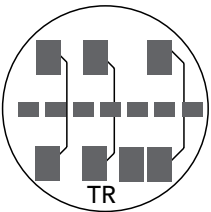
TR= Transformer Rated  
SC= Self-Contained



2 or 3 ELEMENT 3Ø3W, Y or Δ FORM 8S & 9S with bypass



2 ELEMENT 3Ø4W Y FORM 6S



2 ELEMENT 3Ø4W Y FORM 6S with bypass



Please consult serving utility for their requirements prior to ordering or installing. Specifications and approvals vary by utility, and may require local electrical inspector approval. All installations must be installed by a licensed electrician and must comply with all national and local codes, laws and regulations. Milbank reserves the right to make changes in specifications and features shown without notice or obligation.

# Standard NEMA Configurations

## Reference Information Only

### 2 Pole | 3 Wire | Grounding Receptacles

Straight Blade Wiring Devices					Twist-Lock Wiring Devices			
Volts	Code	15 Amps	20 Amps	30 Amps	50 Amps	15 Amps	20 Amps	30 Amps
125V	5							
		5-15R	5-20R	5-30R	5-50R	L5-15R	L5-20R	L5-30R
250V	6							
		6-15R	6-20R	6-30R	6-50R	L6-15R	L6-20R	L6-30R
277V	7							
		7-15R	7-20R	7-30R	7-50R	L7-15R	L7-20R	L7-30R

### 3 Pole | 3 Wire | Special Applications

Straight Blade Wiring Devices			Twist-Lock Wiring Devices			
Volts	Code	20 Amps	30 Amps	50 Amps	20 Amps	30 Amps
125V 250V	10					
		10-20R	10-30R	10-50R	L10-20R	L10-30R

### 3 Pole | 4 Wire | Grounding

Straight Blade Wiring Devices					Twist-Lock		
Volts	Code	15 Amps	20 Amps	30 Amps	50 Amps	20 Amps	30 Amps
125V 250V	14						
		14-15R	14-20R	14-30R	14-50R	L14-20R	L14-30R

### 2 Pole | 3 Wire | Grounding | NEMA Trailer

Straight Blade Wiring Devices		
Volts	Code	30 Amps
125V	TT	

Please consult serving utility for their requirements prior to ordering or installing, as specifications and approvals vary by utility, and may require local electrical inspector approval. All installations must be installed by a licensed electrician and must comply with all national and local codes, laws and regulations. Milbank reserves the right to make changes in specifications and features shown without notice or obligation.



Attractive | Easy-to-Install | Secure | Cost-Effective

**Milbank enclosed controls** are an alternative to unsightly and inefficient strut and backboard structures. Enclosed controls are an attractive, secure, easy-to-install and cost-effective solution for underground remote site power distribution. Cabinets are weather-resistant enclosures that can be crafted to suit any environment with various mounting options. Each individual unit features a utility pull section with an optional meter socket and a separate customer section with distribution and control equipment.



Strut and Backboard

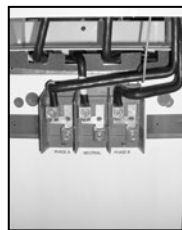


Commercial Pedestal

## UL Listed as Industrial Control Equipment (File E113855)

### Standard Features

- NEMA Type 3R rain-resistant, vandal-resistant cabinet of polyurethane powder coated steel (aluminum or stainless steel also available).
- UL-listed as enclosed industrial control equipment (UL508A).
- Isolated lockable and sealable utility metering and lug landing sections.
- Lockable customer section for distribution and control equipment with internal deadfront.
- Print pocket inside customer section door contains wiring schematics and installation instructions.
- Load centers are UL-listed for use with various manufacturers' circuit breakers.
- All stainless steel external hardware (screws, bolts, hinges, handles, hasps and sealing screws).



Please consult serving utility for their requirements prior to ordering or installing. Specifications and approvals vary by utility, and may require local electrical inspector approval. All installations must be installed by a licensed electrician and must comply with all national and local codes, laws and regulations. Milbank reserves the right to make changes in specifications and features shown without notice or obligation.

# Enclosed Controls

61

Attractive | Easy-to-Install | Secure | Cost-Effective



## Applications

These units are ideal for controlling and metering:

- Traffic signals and street lighting for municipalities.
- Power distribution for electric vehicle charging stations.
- Communication equipment such as cell towers and telephone vaults.
- Event power for fairgrounds, outdoor markets, portable offices, holiday lights, etc.
- Outdoor lighting for athletic fields, tennis and basketball courts, parking lots, landscaping and subdivision entrances.

## Available Factory-Installed Options

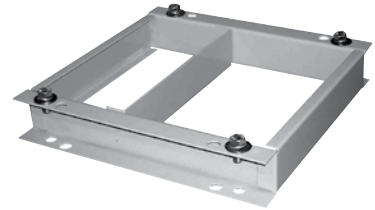
- Meter sockets: ring type or ringless, up to 400 Amps
- Main and branch breakers or T fuses
- Distribution: copper load centers and panelboards
- Clocks, timers and relays
- Photoelectric cells and controls
- Various power receptacles: pin and sleeve, twist lock or straight blade
- Contactors: lighting, definite purpose, motor starters
- Surge protection and lightning arresters
- Generator inlets with interlocked breakers
- Push button controls
- Thermostat controls, fans and heating strips
- Power blocks and Terminals blocks
- Steel, aluminum and plywood backboards
- Transformers
- Interlock devices for circuit breakers

## Options

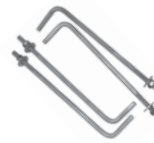
- Available in steel, aluminum (raw painted or anodized) or stainless steel construction with powder coated finish available in eight standard colors or special-ordered RAL colors.
- Available for applications up to 400 Amps, 120V, 208V, 240V, 277V, 480V - 1Ø or 3Ø.

Please consult serving utility for their requirements prior to ordering or installing. Specifications and approvals vary by utility, and may require local electrical inspector approval. All installations must be installed by a licensed electrician and must comply with all national and local codes, laws and regulations. Milbank reserves the right to make changes in specifications and features shown without notice or obligation.

## Accessories



Pad-mount bases available for all pedestal sizes, inquire with your representative for details.



### CP-ABK5/8

Anchor bolt kit (includes four 5/8 - 13 x 18" anchor bolts)



### 105J

Fifth Terminals kit for use with ring type meter sockets



### K3865

Fifth Terminals kit for use with ringless meter sockets



### CP-TC7D

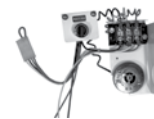
7-day time clock kit

### CP-TC24H

24-hour time clock kit

### CP-TCWIRE

Male 4-pin connector and wiring harness for use with time clocks other than above



### CP-PE-HOA-3POS

HOA switch for field installation



*Application: Remote site service for multiple loads*

**Milbank Main Load Center Commercial Pedestals** are designed to handle the vast majority of all requirements in a standard, stocked configuration.

- All units feature a load center with a plug-on, back-fed main breaker.
- Standard units are equipped with with a 16 circuit load center in the 100 Amps or 24 circuit load center in 200 Amps models.
- Sub-feed lugs to allow feeding an external panel.

If your application requires turning loads on based on “dusk-to-dawn” requirements, be sure to see the Milbank Switched Load Center Commercial Pedestal products on the following page.

## Features

These units include everything required for remote site service:

- Expandable: load centers allow for future expansion without costly modifications.
- All units feature a 200 Amps meter socket with optional field-installable fifth Terminals kit available.
- 22K Amps interrupting capacity (AIC) standard.
- Optional mounting base can be embedded in concrete for fast, easy installation.
- Separate sealable and lockable utility termination section.
- Separate sealable and lockable metering section.
- Separate sealable and lockable customer section with a load center for “always on” loads that include a main circuit breaker, 20 (125 or 200 Amps model) or 14 (100 Amps model) blank breaker spaces and a circuit directory to document configuration.



*Every utility requires an exposed meter in all units.*



Please consult serving utility for their requirements prior to ordering or installing. Specifications and approvals vary by utility, and may require local electrical inspector approval. All installations must be installed by a licensed electrician and must comply with all national and local codes, laws and regulations. Milbank reserves the right to make changes in specifications and features shown without notice or obligation.

# Enclosed Controls

## Switched Load Center Commercial Pedestals

### Switched Load Center Commercial Pedestals

1Ø3 wire 120/240V or 208Y/120V

Designed not only to provide power for various loads, but also to switch specific loads on and off under certain conditions. A photoelectric cell is used for these controlled loads, and an optional time clock is also available.

#### Features

These units include everything required for remote site service:

- Expandable: load centers allow for future expansion without costly modifications.
- All units feature a 200 Amps meter socket with optional field-installable fifth Terminals kit available.
- 22K Amps interrupting capacity (AIC) standard.
- Optional mounting base can be embedded in concrete for fast, easy installation.
- Separate sealable and lockable utility termination section.
- Separate sealable and lockable metering section.
- Separate sealable and lockable customer section with a control circuit including PE receptacle, Lexan® window, glare shield, Hand-Off-Auto (HOA) switch, contractor controlling a 16-circuit load center for controlled loads, a pre-mounted DIN rail and pre-wired connector to add an optional "plug-and-play" time clock kit for PE on and TC off operation and a circuit directory to document configuration.
- A load center for "always on" loads that includes a main circuit breaker, a control power circuit breaker, a switched load center main breaker, nine (125 or 200 Amps model) or 11 (100 Amps model) blank breaker spaces and a circuit directory to document configuration.

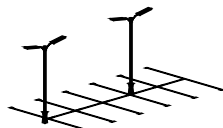


Ringless Lever Bypass shown

#### Applications



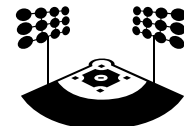
Traffic Signals



Parking Lots



Highways



Athletic Field Lighting

Please consult serving utility for their requirements prior to ordering or installing. Specifications and approvals vary by utility, and may require local electrical inspector approval. All installations must be installed by a licensed electrician and must comply with all national and local codes, laws and regulations. Milbank reserves the right to make changes in specifications and features shown without notice or obligation.





Designed to provide a weather- and vandal-resistant metered enclosure for various loads and distribution. Each pedestal has been designed to handle a wide range of applications using standard, stocked configurations including:

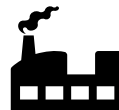
- Choice of a single main breaker or twin service disconnect breakers gives flexibility to the pedestal design.
- Optional distribution with feed-through lugs below the service disconnect breakers allows the pedestal to handle numerous applications.
- Typical applications include remote homes where the metering is best located at the curb side or other remote area. The pedestal can also provide power to a secondary residence, on-site business, workshop, irrigation, lighting, security or other secondary load.

### Features

These units include everything required for remote service:

- Main circuit breaker or dual service disconnects.
- Expandable: load center units that allow for future expansion without costly modifications.
- Optional mounting base can be embedded in concrete for fast, easy installation.
- Separate sealable and lockable utility termination section with lug termination.
- Separate sealable and lockable metering section.
- Separate sealable and lockable customer section with a circuit directory and a print pocket to hold all documentation.
- Meter socket options include ring type with bypass studs, ringless with heavy duty lever bypass, or K-type bolt-on.

### Applications



Commercial Job Sites



Remote Site for  
Residential and  
Commercial Job Sites



Please consult serving utility for their requirements prior to ordering or installing. Specifications and approvals vary by utility, and may require local electrical inspector approval. All installations must be installed by a licensed electrician and must comply with all national and local codes, laws and regulations. Milbank reserves the right to make changes in specifications and features shown without notice or obligation.



## Surface-Mount Compact Design

### Surface-Mount Enclosed Controls

Originally developed for small cellular communications, the surfacemount enclosed control offers the flexibility of larger enclosed controls products with a smaller footprint and several mounting options.

#### Features

- Mounting options allow for easy installation.
- Overhead and underground entry and exit, all in one unit.
- Meter and components in one enclosure.
- Custom component configurations and UL-listing covers all internal components on the UL508A and UL891.
- Can be mounted on multiple surfaces including:
  - walls.
  - poles (narrow profile will have minimal extension past sides).
  - H frames (strut).
- Multiple bypass options available.
- Monitoring options available.
- Optional powder coating in Milbank standard EC color or custom color.



#### Benefits

- Smaller footprint
- Flood resistant
- Eliminates need for connecting components
  - Wire in - Wire Out

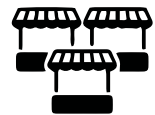
#### Applications



Communications  
Power Distribution



Lighting  
Control



Streetscape  
Power Distribution

Please consult serving utility for their requirements prior to ordering or installing. Specifications and approvals vary by utility, and may require local electrical inspector approval. All installations must be installed by a licensed electrician and must comply with all national and local codes, laws and regulations. Milbank reserves the right to make changes in specifications and features shown without notice or obligation.



# Enclosed Controls

## Battery Backup Commercial Pedestals



Every utility requires a  
exposed meter in all units

This product is specifically designed to provide battery backup power to a variety of loads and to conditionally switch specific loads on and off. It can use a photoelectric cell or time clock to control lighting circuits. Battery backup pedestals have options for both metered and unmetered power distribution. These pedestals are highly versatile and can handle the vast majority of today's backup power requirements. Its 19" rack design allows for easy adjustment of shelves to accommodate batteries, DC to AC inverters, transfer switches and other related equipment.

### Features

- Works with 100 through 320 Amps meter sockets with the option of either a ring type socket (conforms to EUSERC 308) with or without test/bypass blocks or a heavy duty ringless socket with lever bypass.
- Separate sealable utility termination compartment.
- An isolated separate customer section with service disconnects, power distribution options and power control.
- 19" wide rack in customer compartment for easy layout of equipment.
- Includes trays to accommodate required batteries.
- Thermostat with cooling fan.
- Filtered louvers for heat rise flow through ventilation.
- Three point door latch (key or padlockable).

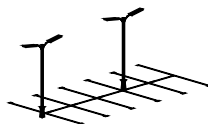
### Note

- May require customization based on regional requirements.

### Applications



Camera and Security  
Locations



Parking Lots



Traffic Signals



Communications  
Power Distribution

### Options

- Manual bypass switch
- Transfer switch for generator power backup
- Generator inlet receptacles 30 Amps through 200 Amps
- Pad-lockable provision for receptacles
- Police access door
- Metered load center distribution
- Unmetered load center distribution
- Photo electric controls (for street lighting)
- Time clocks
- HOA switches
- Contactors
- GFCI duplex receptacles
- Thermostat for heating control
- Heating pads or elements
- Roll out shelves for batteries
- Surge arresters and lighting arresters



Please consult serving utility for their requirements prior to ordering or installing. Specifications and approvals vary by utility, and may require local electrical inspector approval. All installations must be installed by a licensed electrician and must comply with all national and local codes, laws and regulations. Milbank reserves the right to make changes in specifications and features shown without notice or obligation.

# Enclosed Controls

## Power Transfer Commercial Pedestals



Power transfer commercial pedestals provide metered or unmetered AC power, distribution, surge suppression, mechanical interlock and standby generator receptacles — in one compact pedestal.

### Features

- 120/240V 1Ø3W through 277/480V 3Ø4W ratings
- Metered or unmetered units
- Choice of EUSERC ring type or ringless meter sockets
- 60 Amps through 400 Amps ratings
- Pad-lockable, isolated utility compartments
- 20 Amps GFCI convenience receptacle
- Lockable recessed generator receptacle door
- Utility and generator indicator light options
- All stainless steel hardware
- Galvanized steel, aluminum or stainless steel cabinet options
- Custom designs available

### Note

- May require customization based on regional requirements.

### Applications



Traffic Signals



Pump and Lift Stations



Communications Power Distribution



*Every utility requires a exposed meter in all units.*

Please consult serving utility for their requirements prior to ordering or installing. Specifications and approvals vary by utility, and may require local electrical inspector approval. All installations must be installed by a licensed electrician and must comply with all national and local codes, laws and regulations. Milbank reserves the right to make changes in specifications and features shown without notice or obligation.





*Every utility requires an exposed meter in all units.*

Designed to be used where a smaller service package would be a better choice over larger switchgear equipment. These pedestals have amperage ratings of 400 to 800 Amps at voltages up through 480V three phase.

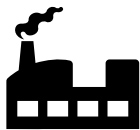
### Features

- Available configurations up to 800 Amps.
- All utility equipment is isolated in separate padlockable and sealable compartments.
- Separate customer compartment designed to hold distribution and control equipment.
- Deadfront customer construction for enhanced safety measures.
- A mounting base option for various applications.
- Optional construction in steel, aluminum and stainless steel.

### Note

- May require customization based on regional requirements.

### Applications



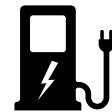
Commercial &  
Industrial Control  
Systems



Pump and Lift  
Stations



Water Treatment  
Plants



Electric Vehicle  
Charging Stations



Please consult serving utility for their requirements prior to ordering or installing. Specifications and approvals vary by utility, and may require local electrical inspector approval. All installations must be installed by a licensed electrician and must comply with all national and local codes, laws and regulations. Milbank reserves the right to make changes in specifications and features shown without notice or obligation.

# Enclosed Controls

## Slimline Commercial Pedestals



Provides a sleeker, smaller footprint with wireway access on the side of the unit, rather than the back. This allows maximum flexibility to install the pedestal anywhere physical space is at a premium.

Providing unmetered AC power, distribution, surge suppression, mechanical interlock and standby generator receptacle — all in a neat, compact pedestal.

### Features

- Available for 100 or 200 Amps.
- Vandal-resistant, secure and attractive design.
- Customer compartment with distribution and control equipment with swing deadfront door, secured with both a hasp/latch and draw latch outer door.
- Utility metering compartment protected with a hinged hood, increasing resistance to meter vandalism.
- Slim design creates a smaller footprint.
- Wireway located on left side of pedestal for utility incoming wire, allowing pedestal to be mounted with back as close as 14" to walls or structures.
- Available in 12" and 20" widths and 50" and 63" (metered) and 43" (unmetered) heights. Includes a print pocket for plans and drawings.
- Voltage range is between 120V and 480V.
- Compatible with both ringless and ring type meter sockets, 4–7 terminals.
- Available in a wide array of colors, including but not limited to all ANSI powder coated paint colors upon request.
- Pedestal mounting base option saves time and labor to install on a cement pad—no anchor bolts required.
- Powder coated G90 galvanized steel or aluminum; raw, anodized or powder coated, as well as stainless steel exterior options.



### Notes

- May require customization based on regional requirements.
- Direct bury pedestals are only available for 12" pedestals. Constructed with 14-gauge steel.

With no need to coordinate, buy or wait for concrete, **direct bury pedestals** offer many advantages and can cut installation time down to less than an hour. Traditional direct bury pedestals can be awkward to transport and can only be used in a direct bury application. Milbank's modular design offers flexibility and convenience for distributors and contractors alike.



Please consult serving utility for their requirements prior to ordering or installing. Specifications and approvals vary by utility, and may require local electrical inspector approval. All installations must be installed by a licensed electrician and must comply with all national and local codes, laws and regulations. Milbank reserves the right to make changes in specifications and features shown without notice or obligation.





## NEMA Commercial Enclosures

Milbank's line of commercial enclosures includes the full gamut of styles and sizes, everything from junction boxes to transformer cabinets, telephone cabinets to wireways.

### Type-1 Enclosures

Milbank's NEMA Type-1 enclosures are designed for indoor use to provide a degree of protection to personnel against access to hazardous parts and to provide a degree of protection of the equipment inside the enclosure against ingress of solid foreign objects, such as falling dirt.

### NEMA Type 3R Enclosures

Milbank's NEMA Type 3R enclosures are designed for either indoor or outdoor use to provide a degree of protection from harmful effects on the equipment due to the ingress of water (rain, sleet, snow) or prevent damage from the external formation of ice on the enclosure.

### Wireways

Milbank's wide range of wireways are available in many styles and sizes and a varied range of fittings allow smooth transitions to and from many manufacturers' products.



Please consult serving utility for their requirements prior to ordering or installing. Specifications and approvals vary by utility, and may require local electrical inspector approval. All installations must be installed by a licensed electrician and must comply with all national and local codes, laws and regulations. Milbank reserves the right to make changes in specifications and features shown without notice or obligation.

830.....	52	K4709 .....	43	KCPLM-2033PM .....	33
850.....	52	K4709-02.....	43	KCPLM-2033UGBX.....	32
6002.....	51	K4709-02-3R.....	43	KCPLM-2034 .....	31
6003.....	51	K4709-WS.....	43	KCPLM-2034PM .....	33
6116.....	51	K4800-D .....	45	KCPLM-2034UGBX.....	32
708784-MO .....	46	K4802 .....	52	KCPLM-2533 .....	31
<b>A</b>					
A7514 .....	50	K5410 .....	44	KCPLM-2533PM .....	33
A7515 .....	50	K5412 .....	42	KCPLM-2533UGBX.....	32
A7516 .....	50	K5413 .....	42	KCPLM-2534 .....	31
A7517 .....	50	K5415 .....	44	KCPLM-2534PM .....	33
A7518 .....	50	K5421 .....	44	KCPLM-2534UGBX.....	32
A7551 .....	50	K5815 .....	18, 19	KCPLM-3033 .....	31
A8110 .....	50	K5820 .....	18, 19	KCPLM-3033PM .....	33
A8111 .....	50	K5830 .....	18, 19	KCPLM-3033UGBX.....	32
A8112 .....	50	K5920-10GR .....	41	KCPLM-3034 .....	31
A9064 .....	50	K5920-11GR .....	41	KCPLM-3034PM .....	33
A-GP .....	51	K5920-38 .....	41	KCPLM-3034UGBX.....	32
<b>B</b>					
BL7474 .....	53	K5920-41 .....	41		
BL7499 .....	53	K5920-54 .....	41		
<b>C</b>					
CL-200D .....	45	K5920-58 .....	41		
CL200-D .....	45	K5920-75 .....	41		
CP-21.....	51	K5920-111GR .....	41		
<b>K</b>					
K5T .....	52	K5920-522 .....	41		
K1047*.....	52	K5920-BLANK .....	41		
K1190 .....	52	K6213 .....	42		
K1350 .....	51	K8180 .....	51		
K1350L .....	51	KCPLM-813 .....	31		
K1539 .....	51	KCPLM-813PM .....	33		
K1540 .....	51	KCPLM-813UGBX.....	32		
K1540L .....	51	KCPLM-833 .....	31		
K1541 .....	51	KCPLM-833PM .....	33		
K3082 .....	51	KCPLM-833UGBX.....	32		
K3083 .....	51	KCPLM-834 .....	31		
K3441 .....	51	KCPLM-834PM .....	33		
K3442 .....	51	KCPLM-834UGBX.....	32		
K3865 .....	52	KCPLM-1233 .....	31		
K3866 .....	52	KCPLM-1233PM .....	33		
K4527 .....	53	KCPLM-1233UGBX.....	32		
K4528 .....	53	KCPLM-1234 .....	31		
K4529 .....	53	KCPLM-1234PM .....	33		
K4530 .....	53	KCPLM-1234UGBX.....	32		
		KCPLM-1633 .....	31		
		KCPLM-1633PM .....	33		
		KCPLM-1633UGBX.....	32		
		KCPLM-1634 .....	31		
		KCPLM-1634PM .....	33		
		KCPLM-1634UGBX.....	32		
		KCPLM-2033 .....	31		
				<b>M</b>	
				M5-144 .....	51
				MR-2 .....	46
				<b>P</b>	
				P-10GWR.....	45
				P-13 .....	45
				P-54 .....	45
				<b>Q</b>	
				Q120.....	42, 46
				Q130.....	46
				Q250.....	46
				<b>S</b>	
				S8324.....	50
				<b>U</b>	
				U1232-X-5T-K1 .....	23
				U1233-X-5T-K3 .....	23
				U1234-X-5T-K3 .....	23
				U1252-X-5T-K1 .....	23
				U1253-X-5T-K1 .....	23
				U1254-X-5T-K3 .....	23
				U1255-X-5T-K4 .....	23
				U1256-X-5T-K4 .....	23
				U2732-XT.....	26
				U2733-XT.....	26
				U2734-XT.....	26
				U2735-XT.....	26
				U2736-XT.....	26

Please consult serving utility for their requirements prior to ordering or installing. Specifications and approvals vary by utility, and may require local electrical inspector approval. All installations must be installed by a licensed electrician and must comply with all national and local codes, laws and regulations. Milbank reserves the right to make changes in specifications and features shown without notice or obligation.



U2872-X-5T9.....	25	U5220-XL-55.....	40	U6281-XL-150-IL-5T9W-EVE .....	19
U2873-X-5T9.....	25	U5220-XL-75.....	40	U6281-XL-200-IL-5T9W-EVE .....	19
U2874-X-5T9.....	25	U5300.....	42, 43, 44, 45	U6549-XL-200NF-5T9-IL-LG .....	21
U2875-X-5T9.....	25	U5300-O.....	40	U6550.....	21
U2876-X-5T9.....	25	U5300-O-41.....	40	U6550-XL-200NF-IL-LG .....	21
U3791N.....	13	U5300-O-55.....	40	U6585X2200K3L5T9WILEVE .....	16
U3791NRXL100IL5T9WEVE .....	13	U5300-O-75.....	40	U6601-X-2/200-K3L-5T9-EVE....	16
U3791NRXL150IL5T9WEVE .....	13	U5320-O.....	40	U6602-X-2/200-K3L-5T9-EVE....	20
U3791NRXL200IL5T9WEVE .....	13	U5320-O-41.....	40	U6603-X-2/200-K3L-5T9-EVE....	20
U3802.....	6	U5320-O-55.....	40	U6615-XL-200NF-5T9-IL-LG (Delta)	21
U3812.....	6	U5320-O-75.....	40	U7043-XL-TG-KK-IL-5T9W .....	10
U3822-20GWR.....	7	U5750-RXL-150-IL-EVE .....	14	U9551-RXL-5T9-IL .....	11
U3832.....	6	U5750-RXL-200-IL-EVE .....	14	U9701-XL-IL.....	11
U3862.....	6	U5882-X-KK-K3-5T-KCPL.....	27	UAP6094-O.....	37
U4013-X-2/K7-IL.....	12	U5883-X-KK-K3-5T-KCPL.....	27	UAP6095-O.....	37
U4569-XL-100.....	48	U5884-X-KK-K3-5T-KCPL.....	27	UAP6096-O.....	37
U4569-XL-150.....	48	U5885-X-KK-K3-5T-KCPL.....	27	UQFB-100.....	48, 49
U4569-XL-200.....	48	U5886-X-KK-K3-5T-KCPL.....	27	UQFB-125.....	49
U4702-X-5T9-K3-K2-IL .....	12	U5890X2200K3LIL5T9WEVE .....	16	UQFB-150.....	48, 49
U4702-X-5T9-K3-K2-IL*.....	12	U5891X2200K3LIL5T9WEVE .....	20	UQFB-200.....	48, 49
U4881-O.....	8	U5892X2200K3LIL5T9WEVE .....	20	UQFP-100.....	49
U4881-O-50GB.....	8	U5902-X-KK-K3-5T-KCPL.....	27	UQFP-125.....	49
U4881-O-60GB.....	8	U5903-X-KK-K3-5T-KCPL.....	27	UQFP-150.....	49
U4908-O-11GB-KCPL.....	36	U5904-X-KK-K3-5T-KCPL.....	27	UQFP-200.....	49
U4908-O-11GB-KCPL*.....	36	U5905-X-KK-K3-5T-KCPL.....	27		
U5000-XL.....	39	U5906-X-KK-K3-5T-KCPL.....	27	<b>Z</b>	
U5000-XL-41.....	39	U5925O100KKIL5T9EVE .....	34	Z701776-MO .....	46
U5000-XL-55.....	39	U5925O200KKIL5T9EVE .....	34	Z708080-MO .....	46
U5000-XL-75.....	39	U5934-XL-BLG.....	9	Z708767-MO .....	46
U5059X2200K3LIL5T9WEVE .....	16	U5971-XL-100.....	47	Z802965-AC .....	53
U5100.....	42, 45	U5971-XL-150.....	47	Z814898-AC .....	53
U5100-XL.....	39	U5971-XL-200.....	47	Z818052-SC.....	46
U5100-XL-41.....	39	U5972-X-5T9-BL .....	29	Z818480-SC.....	46
U5100-XL-55.....	39	U5973-X-5T9-BL .....	29	Z901925-AC .....	53
U5100-XL-75.....	39	U5974-X-5T9-BL .....	29	Z903274-AO .....	53
U5136-O-100S-IL-5T9W-EVE* .....	34	U5975-X-5T9-BL .....	29	Z904486-AO .....	53
U5136-O-200S-IL-5T9W-EVE* .....	34	U5976-X-5T9-BL .....	29	Z915141-AC .....	46
U5137-O-100S-IL-5T9W-EVE .....	34	U6056-X-2/200-K7L-IL-EVE .....	17	Z916264-AO .....	53
U5137-O-200S-IL-5T9W-EVE .....	34	U6064-XTL-100-100 .....	48	Z916265-AO .....	53
U5168XL100KKIL5T9WEVE .....	18	U6064-XTL-150-150 .....	48	Z917602-AC .....	46
U5168XL150KKIL5T9WEVE .....	18	U6064-XTL-200-200 .....	48	Z918447-AC .....	46
U5168XL200KKIL5T9WEVE .....	18	U6115-X-2/200-K7L-IL-EVE .....	17	Z918449-AC .....	46
U5200.....	43, 44	U6220O100KKIL5T9WEVE .....	35	Z918466-AC .....	46
U5200-XL.....	40	U6220O200KKIL5T9WEVE .....	35	Z1002769.....	46
U5200-XL-41.....	40	U6221-O-100-IL-5T9W-EVE .....	35		
U5200-XL-55.....	40	U6221-O-200-IL-5T9W-EVE .....	35		
U5200-XL-75.....	40	U6227X400K3LIL5T9WEVE .....	15		
U5220-XL.....	40	U6229-X-400-K7L-IL-EVE.....	15		
U5220-XL-41.....	40	U6281-XL-100-IL-5T9W-EVE .....	19		



Please consult serving utility for their requirements prior to ordering or installing. Specifications and approvals vary by utility, and may require local electrical inspector approval. All installations must be installed by a licensed electrician and must comply with all national and local codes, laws and regulations. Milbank reserves the right to make changes in specifications and features shown without notice or obligation.









**MILBANK**<sup>®</sup>  
ENERGY AT WORK

Milbank Manufacturing | 4801 Deramus Ave., Kansas City, MO 64120 | 877.483.5314  
milbankworks.com | @milbankworks