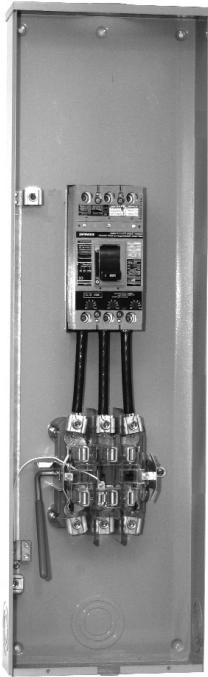


Cold Sequence

200 & 320 amp



OH/UG SERVICE
U5767-X-200-CB
200 AMP



UG SERVICE
U5797-O-400-CB
320 AMP

Specifications

- 200 amp – 4, 5 or 7 terminal.
- 320 amp continuous – 4, 5 or 7 terminal 600 volt, 10K AIC.
- Ringless heavy duty lever bypass meter socket as required by utility.
- UL Listed system includes meter socket, disconnect and neutral – installed into one enclosure.
- Suitable for use as service equipment only.
- Circuit breaker connected ahead of meter for added safety while servicing equipment.
- Circuit breaker type rated: 200 amp @ 600V @ 22K, 480V @ 35K, 240V @ 65K AIC.
- Disconnects have lockable/sealable safety covers for ON / OFF operation.
- Overhead/underground units have upper and lower covers with lock and sealing provisions for utility security.
- Overhead/underground units have large hub opening for 3" or 4" hub. Order hubs separately.
- Underground units have side-by-side covers with lock and sealing provisions for utility security.
- Type 3R enclosure constructed with heavily galvanized G90 steel with light gray polyester powder coat finish.
- Convenient concentric knockouts and ample mounting embosses for ease of installation.
- Wire terminations accept copper or aluminum conductors. See ordering information for line and load wire sizes.

Please consult serving utility for their requirements prior to ordering or installing, as specifications and approvals vary by utility, and may require local electrical inspector approval. All installations must be installed by a licensed electrician and must comply with all national and local codes, laws and regulations. Milbank reserves the right to make changes in specifications and features shown without notice or obligation.



Cold Sequence

200 & 320 amp

200 Amp Circuit Breaker Disconnect Ahead Of Meter Socket

Catalog Number	Amp	Term	System	Service	Line	Load	Disconnect	AIC	Drawing	Wt (lbs.)
U5764-X-200-CB	200	4	1Ø3W	OH/UG*	1/0-350 kcmil	#6-350	200a CB	***	Fig A	47
U5764-X-200-5T-CB	200	5	1Ø3W	OH/UG*	1/0-350 kcmil	#6-350	200a CB	***	Fig A	47
U5765-X-200-CB	200	5	3Ø3W	OH/UG*	1/0-350 kcmil	#6-350	200a CB	***	Fig A	52
U5767-X-200-CB	200	7	3Ø4W	OH/UG*	1/0-350 kcmil	#6-350	200a CB	***	Fig A	53
U5784-O-200-CB	200	4	1Ø3W	UG	1/0-350 kcmil	#6-350	200a CB	***	Fig B	64
U5784-O-200-5T-CB	200	5	1Ø3W	UG	1/0-350 kcmil	#6-350	200a CB	***	Fig B	64
U5785-O-200-CB	200	5	3Ø3W	UG	1/0-350 kcmil	#6-350	200a CB	***	Fig B	70
U5787-O-200-CB	200	7	3Ø4W	UG	1/0-350 kcmil	#6-350	200a CB	***	Fig B	71

200 Amp T-Fuse Pullout Disconnect Ahead Of Meter Socket

Catalog Number	Amp	Term	System	Service	Line	Load	Disconnect	AIC	Drawing	Wt (lbs.)
U5764-X-200-TF	200	4	1Ø3W	OH/UG*	1/0-350 kcmil	#6-350	200a TF	200K	Fig A	43
U5764-X-200-5T-TF	200	5	1Ø3W	OH/UG*	1/0-350 kcmil	#6-350	200a TF	200K	Fig A	43
U5765-X-200-TF	200	5	3Ø3W	OH/UG*	1/0-350 kcmil	#6-350	200a TF	200K	Fig A	47
U5767-X-200-TF	200	7	3Ø4W	OH/UG*	1/0-350 kcmil	#6-350	200a TF	200K	Fig A	48
U5784-O-200-TF	200	4	1Ø3W	UG	1/0-350 kcmil	#6-350	200a TF	200K	Fig B	61
U5784-O-200-5T-TF	200	5	1Ø3W	UG	1/0-350 kcmil	#6-350	200a TF	200K	Fig B	61
U5785-O-200-TF	200	5	3Ø3W	UG	1/0-350 kcmil	#6-350	200a TF	200K	Fig B	65
U5787-O-200-TF	200	7	3Ø4W	UG	1/0-350 kcmil	#6-350	200a TF	200K	Fig B	66

400 Amp (320 Amp Continuous) Circuit Breaker Disconnect Ahead Of Meter Socket

Catalog Number	Amp	Term	System	Service	Line	Load	Disconnect	AIC	Drawing	Wt (lbs.)
U5794-X-400-CB	320	4	1Ø3W	OH	(2) 3/0-500 kcmil	(2) 3/0-500 kcmil	400a CB	10K	Fig C	79
U5794-X-400-5T-CB	320	5	1Ø3W	OH	(2) 3/0-500 kcmil	(2) 3/0-500 kcmil	400a CB	10K	Fig C	79
U5795-X-400-CB	320	5	3Ø3W	OH	(2) 3/0-500 kcmil	(2) 3/0-500 kcmil	400a CB	10K	Fig C	83
U5796-X-400-CB	320	7	3Ø4W	OH	(2) 3/0-500 kcmil	(2) 3/0-500 kcmil	400a CB	10K	Fig C	86
U5797-O-400-CB	320	4	1Ø3W	UG	(2) 3/0-500 kcmil	(2) 3/0-500 kcmil	400a CB	10K	Fig D	101
U5797-O-400-5T-CB	320	5	1Ø3W	UG	(2) 3/0-500 kcmil	(2) 3/0-500 kcmil	400a CB	10K	Fig D	101
U5798-O-400-CB	320	5	3Ø3W	UG	(2) 3/0-500 kcmil	(2) 3/0-500 kcmil	400a CB	10K	Fig D	108
U5799-O-400-CB	320	7	3Ø4W	UG	(2) 3/0-500 kcmil	(2) 3/0-500 kcmil	400a CB	10K	Fig D	110

Barrel lock provision on meter panel available. Add -BL suffix to end of catalog number.

* UL Listed for overhead and underground use. Consult utility for underground use acceptance.

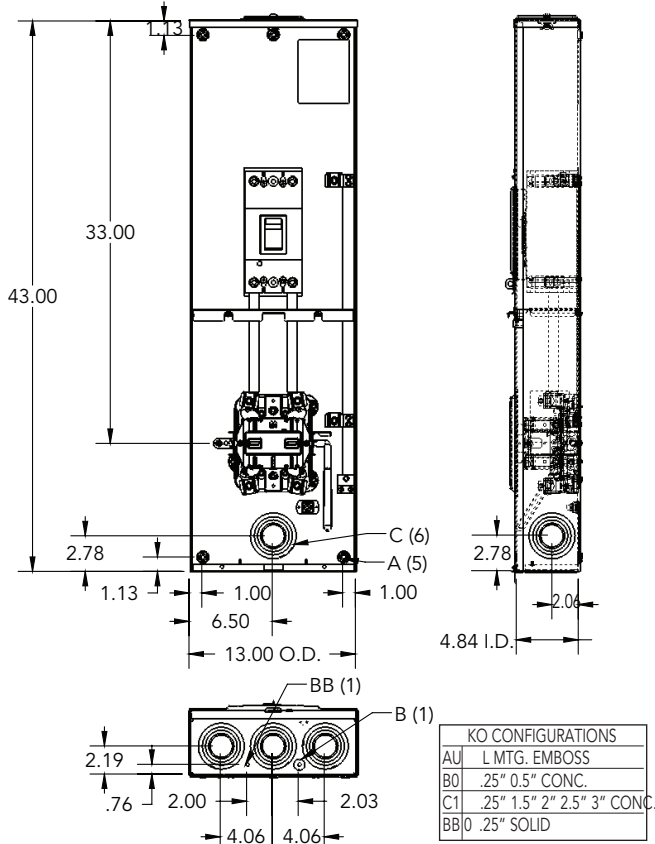
** Outline drawings and knockout information are located on back page.

*** Circuit breaker type rated: 600V @ 22K, 480V @ 35K, 240V @ 65K AIC.

Please consult serving utility for their requirements prior to ordering or installing, as specifications and approvals vary by utility, and may require local electrical inspector approval. All installations must be installed by a licensed electrician and must comply with all national and local codes, laws and regulations. Milbank reserves the right to make changes in specifications and features shown without notice or obligation.



FIG. A – 200 AMP OH/UG (U5764)F



IG. B – 200 AMP UG (U5784)

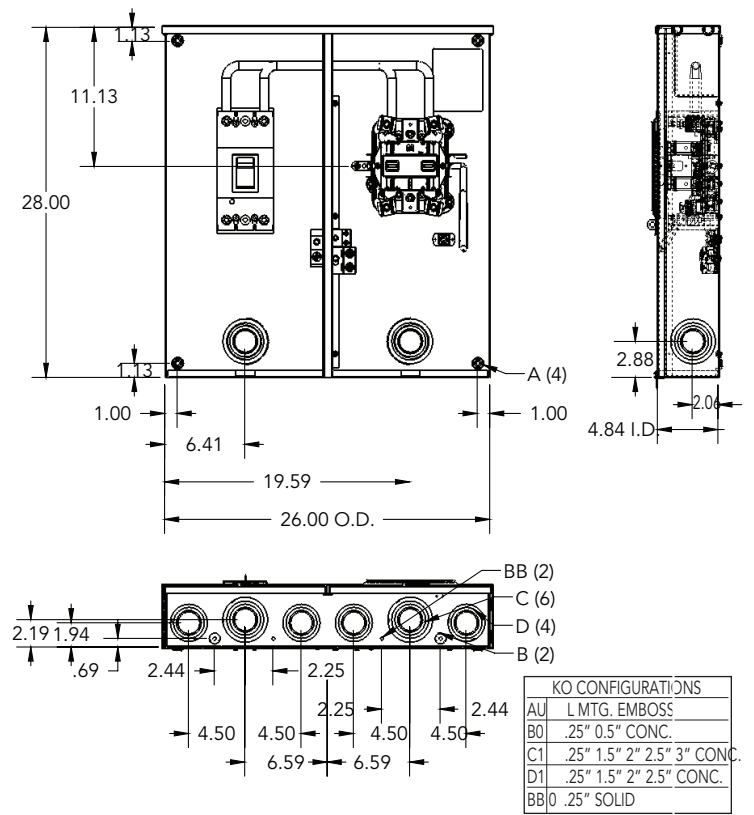
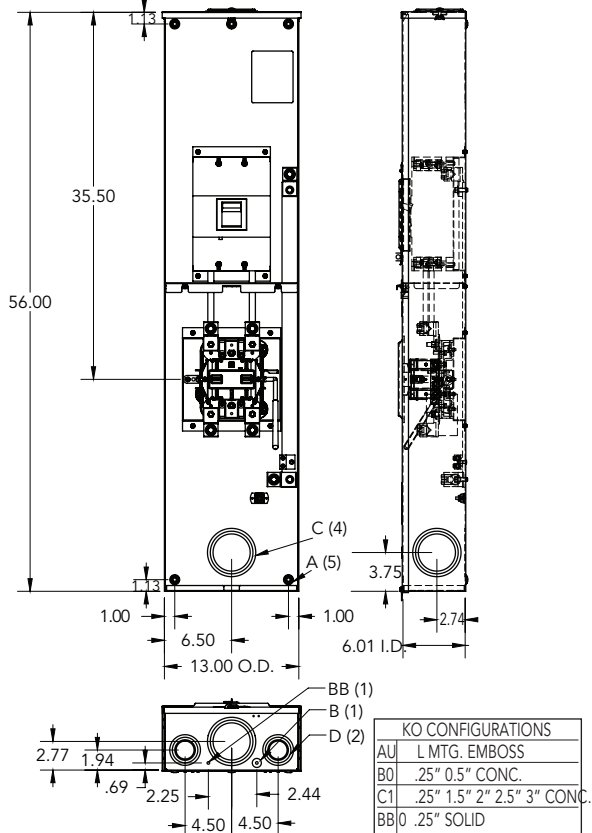
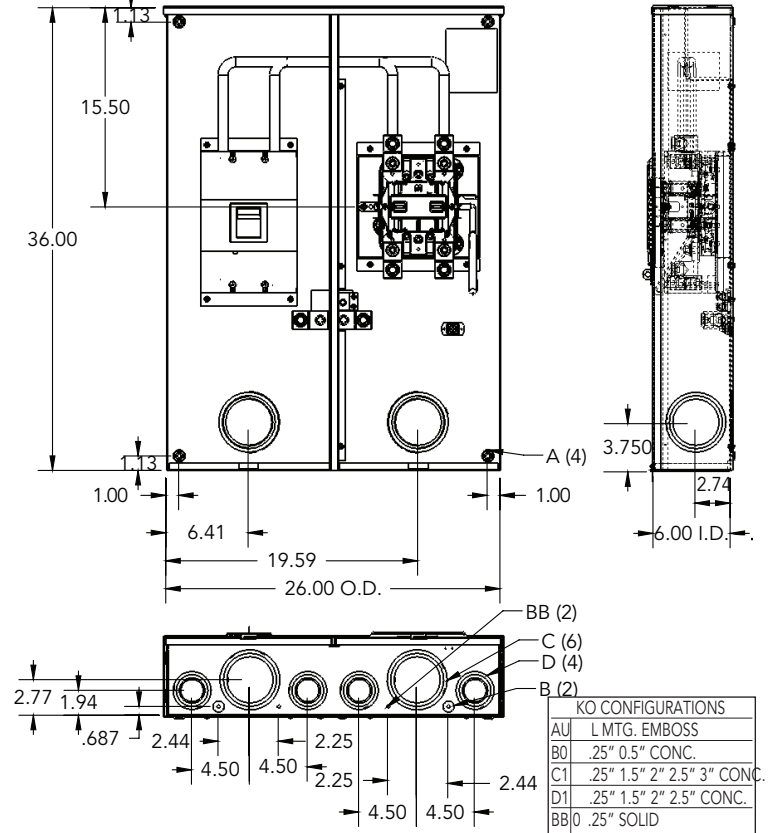


FIG. C – 320 AMP OH (U5794)F



IG. D – 320 AMP UG (U5797)



Please consult serving utility for their requirements prior to ordering or installing, as specifications and approvals vary by utility, and may require local electrical inspector approval. All installations must be installed by a licensed electrician and must comply with all national and local codes, laws and regulations. Milbank reserves the right to make changes in specifications and features shown without notice or obligation.