



MILBANK[®]
ENERGY AT WORK



Commonwealth Edison

Meter Mounting Equipment



Milbank Overview

Energy At Work since 1927

Milbank designs and manufactures electrical solutions that move and manage power for the residential, commercial, industrial, utility and transportation sectors. With 90 years of expertise in electrical engineering design and manufacturing, Milbank's portfolio includes metering equipment, enclosures and enclosed controls. Founded in 1927, Milbank is a family-owned, American manufacturer headquartered in Kansas City, Mo. For more information, please visit milbankworks.com.

METERING



As a market leader in electrical metering equipment, Milbank has set the standard for quality since 1927. Hundreds of configurations are available, including many sizes, knockout configurations, terminal configurations, bypass options, hubs, locks and connectors. Milbank has the socket you need with thousands of active products to meet your utility's requirements.

ENCLOSURES



Milbank's line of enclosures include commercial junction boxes, panel mount enclosures, transformer cabinets, wireway, trough and industrial panel mount and push-button enclosures. Built with high-quality craftsmanship and materials which meet or exceed industry standards, Milbank enclosures are made to protect controls and equipment from dust, dirt and other harmful elements found in a wide variety of environments.

ENCLOSED CONTROLS



Milbank doesn't just build empty enclosures. We can deliver the entire package, complete with custom control equipment built to your exact specifications by our engineers. Milbank commercial pedestals are an attractive, secure, easy to install and cost-effective solution when underground remote site power distribution and control equipment is required, replacing unsightly and inefficient strut and backboard structures. Milbank's manual and automatic transfer switches are durable, easy to install and compatible with most generators.



Please consult serving utility for their requirements prior to ordering or installing, as specifications and approvals vary by utility, and may require local electrical inspector approval. All installations must be installed by a licensed electrician and must comply with all national and local codes, laws and regulations. Milbank reserves the right to make changes in specifications and features shown without notice or obligation.

Table of Contents

Air Conditioner Disconnects

30-60 amp AC disconnects	5
60 amp AC disconnect with 20 amp GFCI receptacle	6
Hot tub disconnects	7

Single Position Sockets

100-200 amp, 4 terminal, ringless	8
200 amp, 5 & 7 terminal, ringless	9
320 amp, 4 terminal, ringless.....	10

Meter Mains

100-200 amp, 4 terminal, ringless	11-12
100-200 amp, 4 terminal, ringless, with load center	13
100 & 200 amp, 7 terminal, lever bypass, ringless	14
320 amp, 4 terminal, lever bypass, ringless.....	15

Multi-Position Sockets

100-200 amp, 4 terminal, ringless	16-17
200 amp, 7 terminal, ringless.....	18

Multi-Position Meter Mains

125 & 200 amp, 4 terminals, ringless.....	19-22
---	-------

Transformer Rated

Current transformer cabinets.....	23-24
20 Amp, 6, 8, & 13 terminals	25

Pedestals

200 amp, 4 terminal,	26
100/200 amp, 5 & 7 terminal, ringless, lever bypass	27
100-200 amp, 4 terminal, ringless, meter main	28
200 amp, 4 terminal, ringless, meter main with load center.....	29
320 amp, 4 terminal, lever bypass, residential	30
Joint termination cabinet.....	31

Miscellaneous

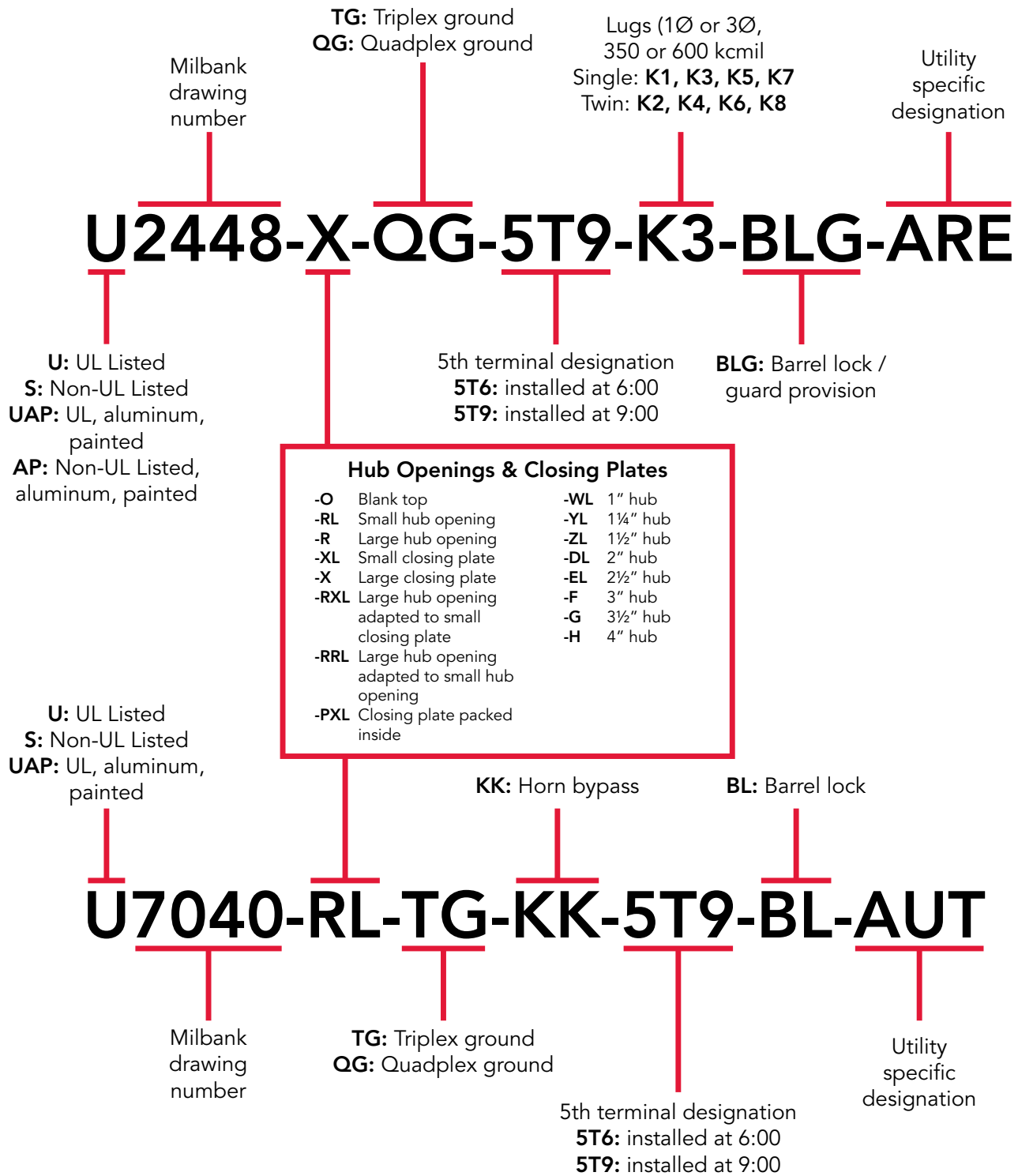
Circuit Breakers	32-33
Accessories	34-36
Commercial Pedestals.....	37-46
Commercial & Industrial Enclosures.....	47
Reference Information	48-52
Index.....	53-54

Please consult serving utility for their requirements prior to ordering or installing, as specifications and approvals vary by utility, and may require local electrical inspector approval. All installations must be installed by a licensed electrician and must comply with all national and local codes, laws and regulations. Milbank reserves the right to make changes in specifications and features shown without notice or obligation.



Catalog Number Logic

How our product catalog numbers are derived



Please consult serving utility for their requirements prior to ordering or installing, as specifications and approvals vary by utility, and may require local electrical inspector approval. All installations must be installed by a licensed electrician and must comply with all national and local codes, laws and regulations. Milbank reserves the right to make changes in specifications and features shown without notice or obligation.

Air Conditioner Disconnects

30-60 Amps | Fusible & Non-Fusible



U3802



U3812



U3832

Milbank's air conditioner disconnect has a removable hinged cover for ease of installation. Our compact design meets NEC wiring space requirements and also complies with NEC article 440-14. For safe working conditions, our disconnect pullers may be removed and reinstalled in the OFF position. Additionally, padlock provisions are included on the front cover. As with other Milbank products, our enclosure is constructed of G90U galvanized steel and electrostatically finished with an attractive, light gray, baked powder coating. Our epoxy/polyester resin blend offers a finish that is both durable and fade-resistant.

30-60 Amp | 1Ø 240 VAC | Air Conditioner Disconnects

Catalog Number	Amps	Type	Max H.P.	Weight (lbs.)	Line/Load Wire Range		Ground Wire Range CU/AL	Dimensions			Wire Rating	
					CU	AL		D"	W"	H"	CU °C	AL °C
U3802	60	Non-Fusible	10	3.25	#14-#2	#12-#2	#14-4	2½	5	7½	60°/75°	60°/75°
U3812	60	Non-Auto	10	3.25	#14-#2	#12-#2	#14-4	2½	5	7½	60°/75°	60°/75°
U3832	30	Fusible	3	2.5	#14-#3	#14-#3	#14-3	2½	5	7	60°/75°	60°/75°
U3862	60	Fusible	10	3.3	#14-#3	#14-#3	#14-3	2½	5	9	60°/75°	60°/75°

Notes

- UL listed as Enclosed Pullout Switch
- Type 3R rain-resistant
- One-inch concentric knockouts

Please consult serving utility for their requirements prior to ordering or installing, as specifications and approvals vary by utility, and may require local electrical inspector approval. All installations must be installed by a licensed electrician and must comply with all national and local codes, laws and regulations. Milbank reserves the right to make changes in specifications and features shown without notice or obligation.



Air Conditioner Disconnects

20 Amp GFCI Receptacle



U3822-20GWR

Specifications

- Meets NEC #210.63 requirements
- UL listed as Power Outlet
- Type 3R enclosure
- In-use cover*
- Duplex ground connector
- 1" concentric knockouts
- 1Ø, 240 volt
- 60 amp, non-fused
- 20 amp GFCI receptacle
- Reset/test button
- Weather and tamper resistant
- Meets NEC #406.8 requirements

60 Amp | 1Ø, 240 VAC | Air Conditioner Disconnect with GFCI Receptacle

Catalog Number	Type	Max H.P.	Weight (lbs.)	Line/Load Wire Range		Ground Wire Range CU/AL	Dimensions			Wire Rating	
				CU	AL		D"	W"	H"	CU °C	AL °C
U3822-20GWR	Non-Fusible	10	6	#14-#2	#12-#2	#14-4	4½	5¼	7½	60°/75°	60°/75°

Notes

- **Disconnect Pullers:** To ensure the safest conditions, Milbank disconnect pullers are reversible so they may be reinstalled in the OFF position.
- **Padlock Provision:** All units are designed with a padlock provision on the cover for security.
- ***In-Use Cover:** Cover is rated as an in-use cover (cover may be closed with cords plugged into receptacle).



Please consult serving utility for their requirements prior to ordering or installing, as specifications and approvals vary by utility, and may require local electrical inspector approval. All installations must be installed by a licensed electrician and must comply with all national and local codes, laws and regulations. Milbank reserves the right to make changes in specifications and features shown without notice or obligation.

Hot Tub Disconnects

Type 3R Enclosures



U4881-O-50GB



U4881-O-60GB

Specifications

- 240 volt ground fault protection
- UL listed, Type 3R rain-resistant
- 2-pole, 50 or 60 amp GFCI breaker protection
- Compact size
- Three or four wire installation
- 1Ø, 120/240 VAC
- Standard package of 12
- Two extra one-pole breaker spaces
- 100 amp overall rating
- Easy to install

100 Amp | Hot Tub Disconnect or Sub Panel Breaker Enclosure | Type 3R

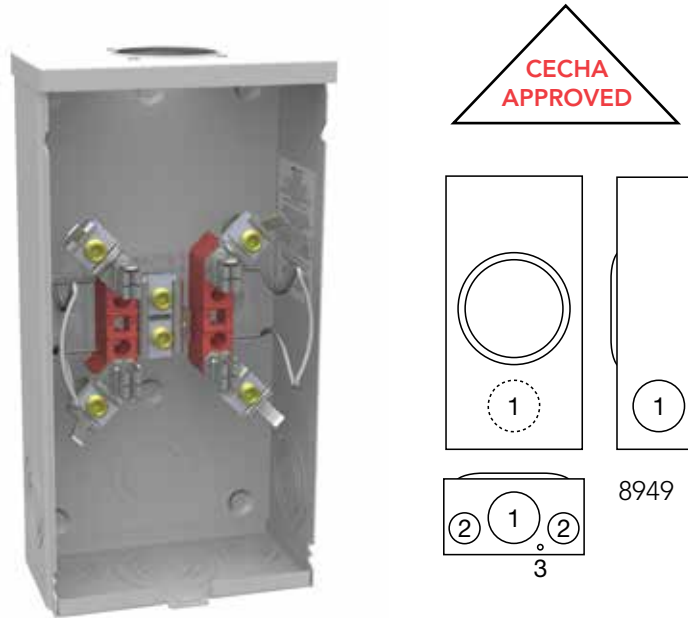
Catalog Number	Breaker Amps	Type	Weight (lbs.)	Line/Load Wire Range		Ground Wire Range CU/AL	Dimensions		
				CU	AL		D"	W"	H"
U4881-O-50GB	50	Breaker	8	#14-1/0	#14-1/0	#14-1/0	3¾	7½	8½
U4881-O-60GB	60	Breaker	8	#14-1/0	#14-1/0	#14-1/0	3¾	7½	8½

Please consult serving utility for their requirements prior to ordering or installing, as specifications and approvals vary by utility, and may require local electrical inspector approval. All installations must be installed by a licensed electrician and must comply with all national and local codes, laws and regulations. Milbank reserves the right to make changes in specifications and features shown without notice or obligation.



Single Position Sockets

100-200 Amp | 4 Terminal | Ringless | 600 VAC



U8949-RL-TG-KK-CECHA

100-200 Amp | 4 Terminal | Single Position | Ringless | 1Ø

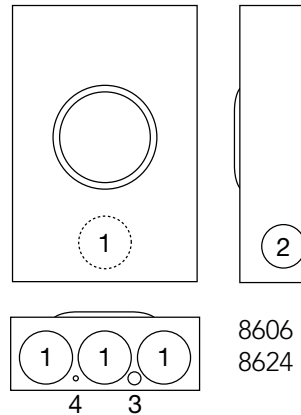
Catalog Number	Service	Hub	Connectors CU/AL		Bypass	Dimensions			Knockouts		
			Line	Load		D"	W"	H"	1	2	3
U8949-RL-TG-KK-CECHA	OH	H.O.	#6-350	#6-350	Horn	4½	8	15½	2½	1¼	¼

Notes

- **Hubs:** Order hubs separately — see accessory page for ordering information.
- **Fifth Terminal:** For field mounted fifth terminal, order catalog number **K5T** to fit into square opening at the 9 o'clock position.
- **Isolated Neutral:** For indoor service, order as extra **#BL1048-KK** complete interior block assembly to be installed to provide isolated neutral.

Single Position Lever Bypass

200 Amp | 5 & 7 Terminal | Ringless | 600 VAC



U8606-RXL-CECHA

200 Amp | Single Position | Ringless | Lever Bypass

Catalog Number	Terminals	Service	Hub	Phase	Connectors CU/AL		Dimensions			Knockouts			
					Line	Load	D"	W"	H"	1	2	3	4
U8624-RXL-CECHA	5	OH	C.P.	3Ø3W	#6-350	#6-350	4 ⁷ / ₈	13	19	3	2 ¹ / ₂	1 ¹ / ₄	1 ¹ / ₄ , 1 ¹ / ₂
U8606-RXL-CECHA	7	OH	C.P.	3Ø4W	#6-350	#6-350	4 ⁷ / ₈	13	19	3	2 ¹ / ₂	1 ¹ / ₄	1 ¹ / ₄ , 1 ¹ / ₂

Notes

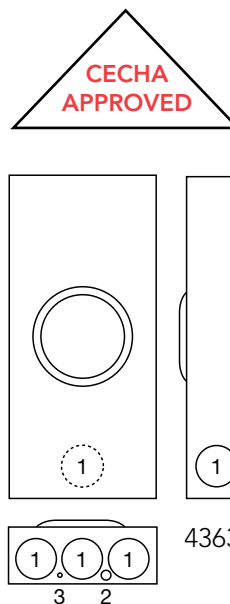
- **Hubs:** Order hubs separately — see accessory page for ordering information.
- **Connectors:** Units supplied with extruded aluminum connectors and bonded triplex neutral.
- **Bypass:** Lever supplied clamping action on meter spades and also operates bypass device.
- **Isolated Neutral:** For isolated neutral, order catalog number **K1047** (for the **U8606** only). **U8624** can be field converted to isolated neutral by removing the bonding link.

Please consult serving utility for their requirements prior to ordering or installing, as specifications and approvals vary by utility, and may require local electrical inspector approval. All installations must be installed by a licensed electrician and must comply with all national and local codes, laws and regulations. Milbank reserves the right to make changes in specifications and features shown without notice or obligation.



Single Position Lever Bypass

320 Amp | 4 Terminal | Ringless | 600 VAC



U4363-X-QG-CECHA

320 Amp Continuous (400 Amp Max) | 4 Terminal | Single Position | Ringless | 1Ø

Catalog Number	Service	Hub	Connectors CU/AL		Bypass	Dimensions			Knockouts		
			Line	Load		D"	W"	H"	1	2	3
U4363-X-QG-CECHA	OH	H.O.	3/8" x 16 Studs	3/8" x 16 Studs	Lever	4 7/8	13	28 1/4	3	1/4, 1/2	1/4

Notes

- **Fifth Terminal:** For field-installed fifth terminal, order catalog number **K3865**.
- **Connectors:** Supplied with 3/8 X 16 hex head nuts with Belleville washers. For connector kits, see accessories page. This unit is UL listed based on parallel 250 conductors max only.
- **Bypass:** Lever supplies clamping action and also operates bypass device.



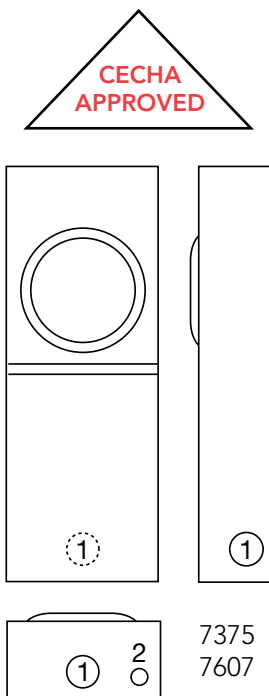
Please consult serving utility for their requirements prior to ordering or installing, as specifications and approvals vary by utility, and may require local electrical inspector approval. All installations must be installed by a licensed electrician and must comply with all national and local codes, laws and regulations. Milbank reserves the right to make changes in specifications and features shown without notice or obligation.

Meter Mains

100 & 200 Amp | 4 Terminal | Ringless | 240 VAC



U7375-RL-KK-CECHA



U7607-RL-200-KK-CECHA
supplied with 200 amp circuit breaker

100 Amp | 4 Terminal | Meter Mains (Plug-In) | Ringless | 1Ø

Catalog Number	Service	Hub	Connectors CU/AL		Bypass	Dimensions			Knockouts	
			Line	Load		D"	W"	H"	1	2
U7375-RL-KK-CECHA	OH	H.O.	#6-2/0	C.B.	Horn	3¼	8⅝	22	1¼	¼, ½

Notes

- **Circuit Breaker:** Main circuit breaker not supplied with unit. For 100 amp service, order catalog number **Q2100** separately. See circuit breaker chart on accessory page for other compatible models.
- **Fifth Terminal:** For field-installed fifth terminal, order catalog number **5T8K2**.
- **Hubs:** Order hubs separately — see accessory page for ordering information.

200 Amp | 4 Terminal | Meter Mains | Ringless | 1Ø

Catalog Number	Service	Hub	Connectors CU/AL		Bypass	Dimensions			Knockouts	
			Line	Load		D"	W"	H"	1	2
U7607-RL-200-KK-CECHA	OH	H.O.	#6-350	#1-300	Horn	4½	8⅝	29	2	¼, ½

Notes

- **Circuit Breaker:** 200 amp main circuit breaker factory bussed. Order catalog number **UQFB-200-X1** for replacement. Other amperages available — see circuit breaker chart on accessory page.
- **Fifth Terminal:** For field-installed fifth terminal, order catalog number **K5T**.
- **Hubs:** Order hubs separately — see accessory page for ordering information.

Please consult serving utility for their requirements prior to ordering or installing, as specifications and approvals vary by utility, and may require local electrical inspector approval. All installations must be installed by a licensed electrician and must comply with all national and local codes, laws and regulations. Milbank reserves the right to make changes in specifications and features shown without notice or obligation.



100-200 Amp | 4 Terminal | Ringless | 240 VAC



U5842-RL-200-KK-CECHA

100-200 Amp | 4 Terminal | Meter Mains | Ringless | Horn Bypass

Catalog Number	Amp	Service	Hub	Connectors CU/AL		Dimensions			Knockouts		
				Line	Load	D"	W"	H"	1	2	3
U5842-RL-KK-CECHA		OH	H.O.	#6-350	—	4½	8	30	2½	¼, ½	¼
U5842-RL-100-KK-CECHA	100	OH	H.O.	#6-350	CB - 100A	4½	8	30	2½	¼, ½	¼
U5842-RL-125-KK-CECHA	125	OH	H.O.	#6-350	CB - 125A	4½	8	30	2½	¼, ½	¼
U5842-RL-200-KK-CECHA	200	OH	H.O.	#6-350	CB - 200A	4½	8	30	2½	¼, ½	¼

Notes

- **AIC Rating:** All models are rated **22K AIC** when using Siemens QPH (100 amp) or QNH (200 amp) breakers.
- **Fifth Terminal:** For field installable fifth terminal kit, order **K5T**.



Please consult serving utility for their requirements prior to ordering or installing, as specifications and approvals vary by utility, and may require local electrical inspector approval. All installations must be installed by a licensed electrician and must comply with all national and local codes, laws and regulations. Milbank reserves the right to make changes in specifications and features shown without notice or obligation.

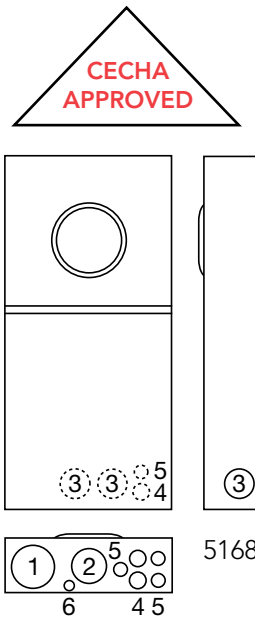
Meter Main With Load Center

100-200 Amp | 4 Terminal | Ringless | 240 VAC

13
METER MAIN WITH
LOAD CENTER



U5168-XTL-100-KK-CECHA




100-200 Amp | 4 Terminal | Meter Mains | 1Ø3W | Ringless | OH

Catalog Number	Amps	Circuits	Hub	Connectors CU/AL - Line	Dimensions			Knockouts					
					D"	W"	H"	1	2	3	4	5	6
U5168-XTL-100-KK-CECHA	100	8	C.P.	#6-350	4½	14⅞	32	3	2½	2	1	½,¾	¼,½
U5168-XTL-150-KK-CECHA	150	8	C.P.	#6-350	4½	14⅞	32	3	2½	2	1	½,¾	¼,½
U5168-XTL-200-KK-CECHA	200	8	C.P.	#6-350	4½	14⅞	32	3	2½	2	1	½,¾	¼,½

Notes

- **Hubs:** Supplied with two closing plates packed inside. Order hubs as a separate item. For proper hub selection, refer to the hub suffix chart on the accessories page.
- **Fifth Terminal:** For field installed fifth terminal, order **K5T**.
- **Breakers:** Rated 22K AIC with Milbank **QNR2200H** main installed.
- **Main Breaker:** **U5168** and **U5169** also available with 100-150 amp breakers, consult factory.
- **Sub Feed Lugs:** #6-350 sub feed lugs provided on 8 circuit interior. Not available on 20 circuit interior.

Generator Interlock

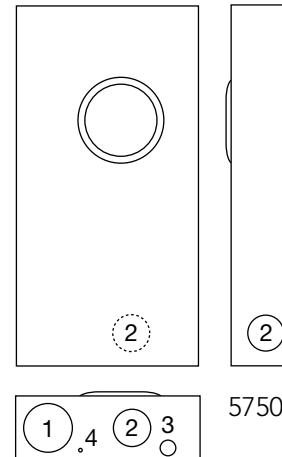
	K5815 Large QN with small frame Q	K5820 Large frame QN with large frame QN	K5830 Small frame Q to small frame Q
---	---	--	--

AIC Rating	Amps	Siemens	Cutler Hammer	General Electric	Sqaure D
10k	150-200	QNR	BR (150A only)	—	—
	≤ 125	QP	HQP, BR	THQL, THQL-GF	Homeline
22k	150-200	QNRH	8	—	—
	≤ 125	QPH		—	—

Please consult serving utility for their requirements prior to ordering or installing, as specifications and approvals vary by utility, and may require local electrical inspector approval. All installations must be installed by a licensed electrician and must comply with all national and local codes, laws and regulations. Milbank reserves the right to make changes in specifications and features shown without notice or obligation.



100 & 200 Amp | 7 Terminal | Lever Bypass | Ringless



U5750-RXL-200-BL-CECHA

100 & 200 Amp | Meter Mains | Ringless | 3Ø4W | 240V | Lever Bypass | OH

Catalog Number	Amp	Terminals	Hub	Connectors CU/AL - Line	Dimensions			Knockouts			
					D"	W"	H"	1	2	3	4
U5750-RXL-100-BL-CECHA	100	7	C.P.	#6-350	5¾	17¾	34	4	3	1	¼
U5750-RXL-200-BL-CECHA	200	7	C.P.	#6-350	5¾	17¾	34	4	3	1	¼

Notes

- **Bypass:** Lever supplies clamping action on meter spades and also operates bypass device.
- **Breakers:** Factory installed 200 amp, 3-pole, 10K AIC.
- **Side Wireway:** Allows for underground service.



Please consult serving utility for their requirements prior to ordering or installing, as specifications and approvals vary by utility, and may require local electrical inspector approval. All installations must be installed by a licensed electrician and must comply with all national and local codes, laws and regulations. Milbank reserves the right to make changes in specifications and features shown without notice or obligation.

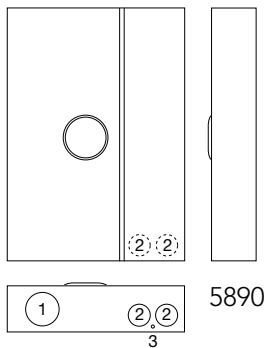
Meter Mains with Lever Bypass

320 Amp | 4 Terminal | Ringless | 240 VAC

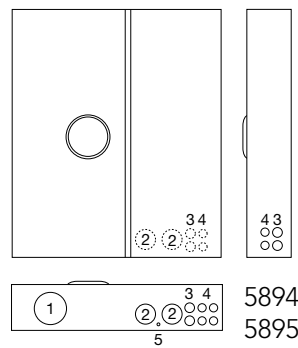
15
METER MAIN WITH
LEVER BYPASS



U5890-X-2/200



U5894-X-2/200



320 Amp | 4 Terminal | Meter Mains | Lever Bypass | Ringless | 240 VAC

Catalog Number	Service	Hub	Connectors CU/ AL	Branch Circuits	Dimensions			Knockouts					
			Line		D"	W"	H"	1	2	3	4	5	
U5890-X-2/200	OH	C.P.	3/8" x 16 Studs	N/A	6	24 1/2	35	4	2 1/2	1/4	—	—	—
U5894-X-2/200	OH	C.P.	3/8" x 16 Studs	12	6	29 1/2	35	4	2 1/2	1	1/2, 3/4	1/4	1/4
U5895-X-2/200	OH	C.P.	3/8" x 16 Studs	24	6	29 1/2	35	4	2 1/2	1	1/2, 3/4	1/4	1/4

Notes

- **Breakers:** All units come with two 200 amp main breakers.
- **Side Bussed Units:** U5894 and U5895.
- **Main Lug Kit:** U5894 shown with K3701 main lug kit installed, but sold separately.
- **Fifth Terminal:** For field mounted fifth terminal order catalog number K3865.

Please consult serving utility for their requirements prior to ordering or installing, as specifications and approvals vary by utility, and may require local electrical inspector approval. All installations must be installed by a licensed electrician and must comply with all national and local codes, laws and regulations. Milbank reserves the right to make changes in specifications and features shown without notice or obligation.

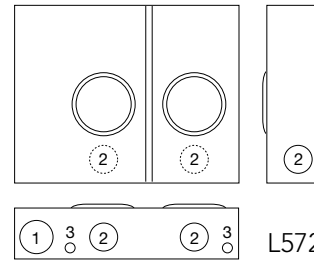


Multi-Position Sockets

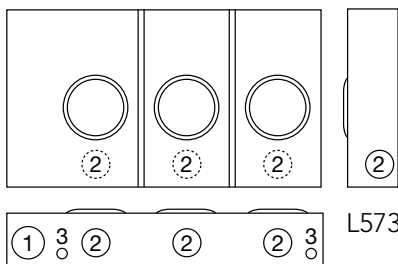
100 Amp | 4 Terminal | Ringless | 300 VAC



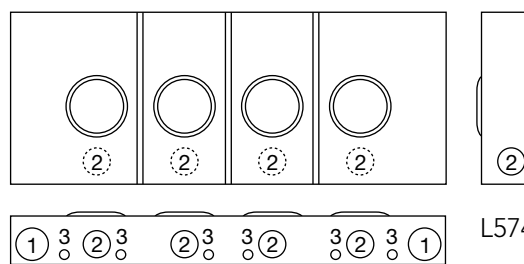
L572-XL-KK-CECHA



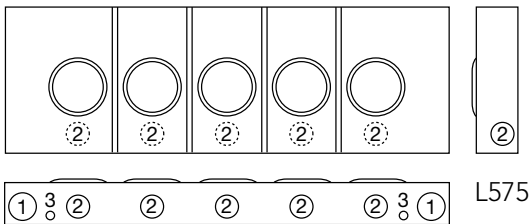
L572



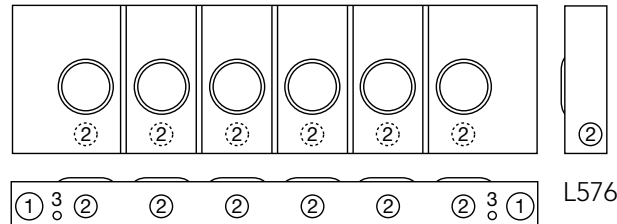
L573



L574



L575



L576

100 Amp per Position | 4 Terminal | Multi-Position | Ringless | 1Ø3W

Catalog Number	Positions	Service	Hub	Connectors CU/AL		Bypass	Dimensions			Knockouts		
				Line	Load		D"	W"	H"	1	2	3
L572-XL-KK-CECHA	2	OH	C.P.	#6-350	#6-2/0	Horn	4½	20⅝	16	2½	2	¼, ½
L573-XL-KK-CECHA	3	OH	C.P.	#6-350	#6-2/0	Horn	4½	28½	16	2½	2	¼, ½
L574-XL-KK-CECHA	4	OH	C.P.	#6-350	#6-2/0	Horn	4½	40⅞	16	2½	2	¼, ½
L575-XL-KK-CECHA	5	OH	C.P.	#6-350	#6-2/0	Horn	4½	48⅞	16	2½	2	¼, ½
L576-XL-KK-CECHA	6	OH	C.P.	#6-350	#6-2/0	Horn	4½	57⅞	16	2½	2	¼, ½

Notes

- **Hub:** For proper hub selection refer to the hub suffix chart on the accessory page.
- **Fifth Terminal:** For field-installed fifth terminal, order **5T8K2** (6 o'clock position) or **K9959** (9 o'clock position).
- **Connectors:** Extruded aluminum connectors are tin plated.



Please consult serving utility for their requirements prior to ordering or installing, as specifications and approvals vary by utility, and may require local electrical inspector approval. All installations must be installed by a licensed electrician and must comply with all national and local codes, laws and regulations. Milbank reserves the right to make changes in specifications and features shown without notice or obligation.

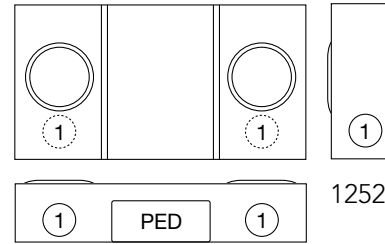
Multi-Position Sockets

200 Amp | 4 Terminal | Ringless | 300 VAC

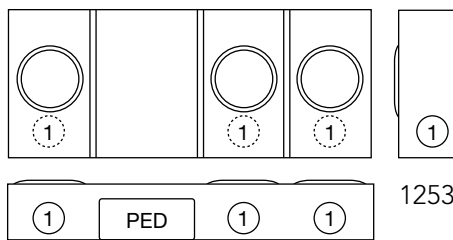
17
MULTI-POSITION
SOCKETS



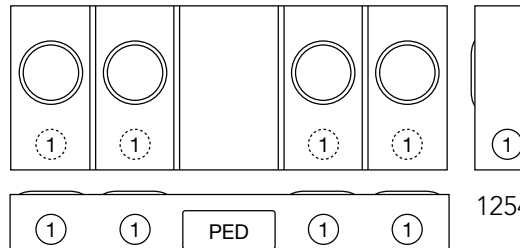
U1252-X-KK-K1-PED
(shown without pedestal)



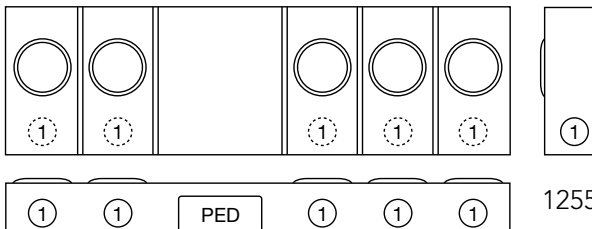
1252



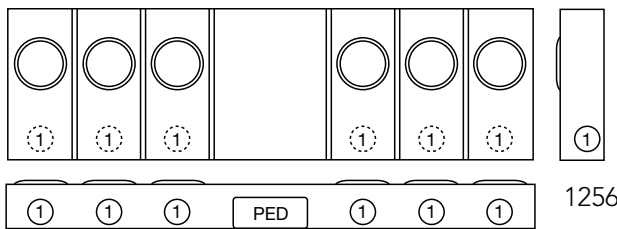
1253



1254



1255



1256

200 Amp per Position | 4 Terminal | Multi-Position | Ringless

Catalog Number	Positions	Service	Hub	Connectors CU/AL		Dimensions			Knockouts
				Line	Load	D"	W"	H"	1
U1252-X-KK-K1-PED	2	OH/UG*	C.P.	#6-350	#6-350	5½	26½	14	2½
U1253-X-KK-K3-PED	3	OH/UG*	C.P.	#4-600	#6-350	5½	34¾	14	2½
U1254-X-KK-K3-PED	4	OH/UG*	C.P.	#4-600	#6-350	5½	42⅞	16	2½
U1255-X-KK-K4-PED	5	OH/UG*	C.P.	(2) #2-600	#6-350	5½	54½	16	2½
U1256-X-KK-PED	6	OH/UG*	C.P.	¾" x 16 Studs	#6-350	5½	63⅞	18	2½

Notes

- **Hubs:** For proper hub selection, refer to the hub suffix chart on the accessories page. For the **U1254-6** two hub openings are supplied and the extra opening is closed with a closing plate as standard.
- **Fifth Terminal:** For field mounted fifth terminal, order catalog number **K5T** (9 o'clock position).
- **Bussing:** Bussing is 5/16" x 1" aluminum on **U1252 & U1253** and 3/8" x 1" aluminum on U1254-1256. Refer to the conduit & ampacity page for information on ampacity of bussing.
- ***Underground Applications:** For underground service, order **S2291-TO** pedestal raceway. A 12" pedestal extension kit is also available — order catalog number **S2571**.

Please consult serving utility for their requirements prior to ordering or installing, as specifications and approvals vary by utility, and may require local electrical inspector approval. All installations must be installed by a licensed electrician and must comply with all national and local codes, laws and regulations. Milbank reserves the right to make changes in specifications and features shown without notice or obligation.

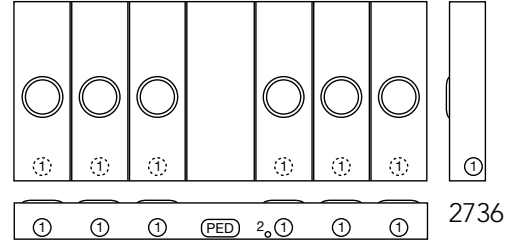
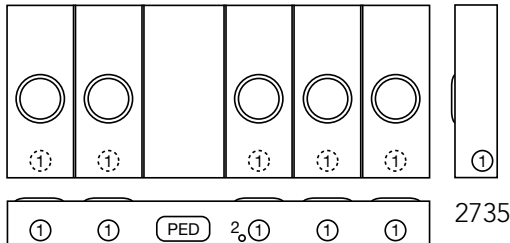
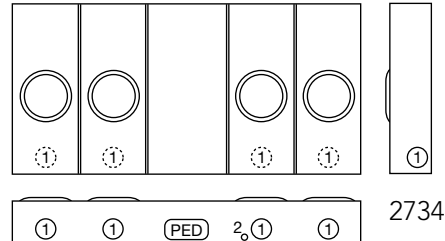
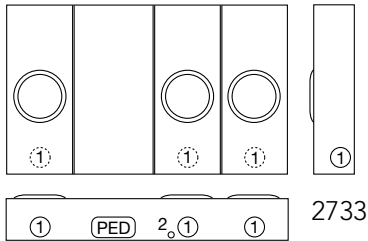
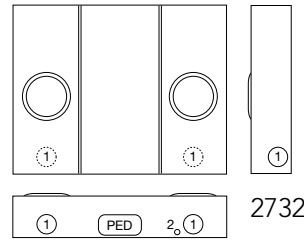


Lever Bypass Multi-Position Sockets

200 Amp | 7 Terminal | Ringless | 600 VAC



U2732-XT-PED
(shown without pedestal)



200 Amp | 7 Terminal | Multi-Position | Lever Bypass | Ringless

Catalog Number	Positions	Service	Hub	Connectors CU/AL		Dimensions			Knockouts		
				Line	Load	D"	W"	H"	1	2	3
U2732-XT-PED	2	OH/UG	(2) C.P.	3/8" x 16 Stud	#6-350	6	32 3/8	25 1/4	4	2 1/2	1/4, 1/2
U2733-XT-PED	3	OH/UG	(2) C.P.	3/8" x 16 Stud	#6-350	6	42 3/16	25 1/4	4	2 1/2	1/4, 1/2
U2734-XT-PED	4	OH/UG	(2) C.P.	3/8" x 16 Stud	#6-350	6	52 1/4	25 1/4	4	2 1/2	1/4, 1/2
U2735-XT-PED	5	OH/UG	(2) C.P.	3/8" x 16 Stud	#6-350	6	62 3/16	25 1/4	4	2 1/2	1/4, 1/2
U2736-XT-PED	6	OH/UG	(2) C.P.	3/8" x 16 Stud	#6-350	6	72 3/8	31 1/4	4	2 1/2	1/4, 1/2

Notes

- **Hubs:** Units supplied with two closing plates. To order hubs as extra, refer to the hub suffix chart on the accessories page.
- **Connector Kits:** For line side connector kits, order as extra **K3082** (350 kcmil), **K3441** (600 kcmil), twin **K3442** (350 kcmil), twin **K3083** (600 kcmil). Line connectors can be reversed to change from "OH" to "UG" service.
- **Bypass:** Lever supplies clamping action on meter spades and also operates bypass device.
- **Underground Applications:** For underground service, order **S2291-TO** raceway. A 12" pedestal extension kit is also available — order catalog number **S2571**.
- **Bussing:** Bussing is 3/8" x 1" aluminum. Refer to the conduit & ampacity page for information on ampacity of bussing.



Please consult serving utility for their requirements prior to ordering or installing, as specifications and approvals vary by utility, and may require local electrical inspector approval. All installations must be installed by a licensed electrician and must comply with all national and local codes, laws and regulations. Milbank reserves the right to make changes in specifications and features shown without notice or obligation.

Multi-Position Meter Mains

125 & 200 Amp | 4 Terminal | Ringless | 120/240 VAC



U2854-X-KK-PED

(Order circuit breakers as extra;
shown without pedestal)



U2866-X-KK-PED

(Order circuit breakers as extra;
shown without pedestal)

125 Amp per Position | Multi-Position Sockets | Ringless

Catalog Number	Positions	Service	Main Bus Rating	AIC Rating	Connectors CU/AL	Dimensions		
					Line	D"	W"	H"
U2852-X-KK-K1-PED-CECHA	2	OH/UG	200 Amp	10K AIC	#6-350	5 ¹³ / ₁₆	18	25
U2853-X-KK-K1-PED-CECHA	3	OH/UG	200 Amp	10K AIC	#6-350	5 ¹³ / ₁₆	18	37
U2854-X-KK-PED-CECHA	4	OH/UG	400 Amp	10K AIC	#6-350	4 ⁷ / ₈	31	25
U2855-X-KK-PED-CECHA	5	OH/UG	400 Amp	10K AIC	3/8" x 16 Stud*	4 ⁷ / ₈	31	37
U2856-X-KK-PED-CECHA	6	OH/UG	400 Amp	10K AIC	3/8" x 16 Stud*	4 ⁷ / ₈	31	37

200 Amp per Position | Multi-Position Sockets | Ringless

Catalog Number	Positions	Service	Main Bus Rating	AIC Rating	Connectors CU/AL	Dimensions		
					Line	D"	W"	H"
U2862-X-KK-K1-PED-CECHA	2	OH/UG	250 Amp	10K AIC	#6-350	5 ¹³ / ₁₆	21	29
U2863-X-KK-K1-PED-CECHA	3	OH/UG	300 Amp	10K AIC	#6-350	5 ¹³ / ₁₆	21	41
U2864-X-KK-PED-CECHA	4	OH/UG	400 Amp	10K AIC	3/8" x 16 Stud*	4 ⁷ / ₈	36	29
U2865-X-KK-PED-CECHA	5	OH/UG	600 Amp	10K AIC	3/8" x 16 Stud*	4 ⁷ / ₈	36	41
U2866-X-KK-PED-CECHA	6	OH/UG	600 Amp	10K AIC	3/8" x 16 Stud*	4 ⁷ / ₈	36	41

Connector Kits*

Size	Suffix	Kit Number	Compatible With	Wire Range
Single	-K1	K1539	U2852-56, U2862-66	#6-350
	-K3	K1540	U2854-56, U2864-66	#4-600
Twin	-K2	K1350	U2854-56, U2863-66	#6-350
	-K4	K1541	U2864-66	#2-600

Breaker Chart

Manufacturer	125-200 Amps	100 Amps or Less
Cutler Hammer	BR, WBJ	QP, BR
Siemens	QNR	QP
G.E.	THQ	THQ
Square D	—	Homeline

Notes

- ***Connectors:** For line wire connector kits, order separately.
- **Fifth Terminal:** For field mounted fifth terminal, order catalog number **K2381**. Order one per meter position.
- **Breakers:** Units have provision for one double pole main per meter position. Breakers not included.
- **Underground Applications:** For underground service, order **S2291-TO** raceway. Order separately.
- **Racway Extension Kit:** A 12" extension kit is also available. Order catalog number **S2571**.
- **Knockouts:** See next page for drawings and knockout configurations.

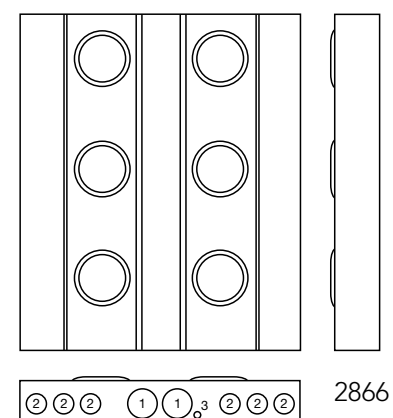
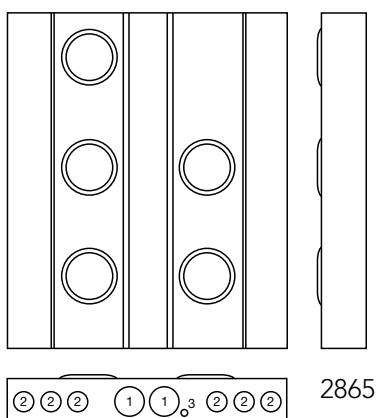
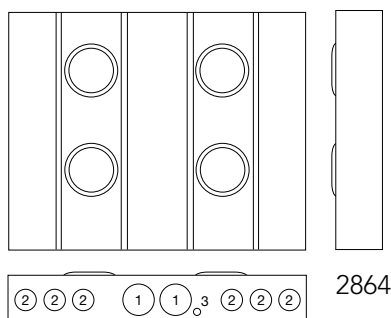
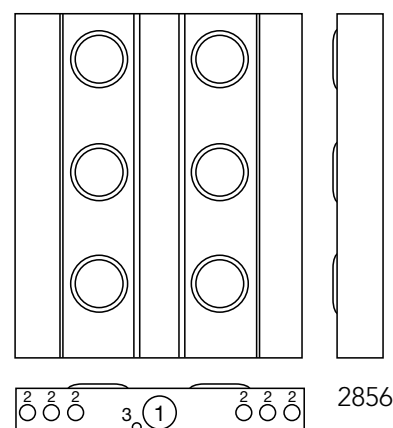
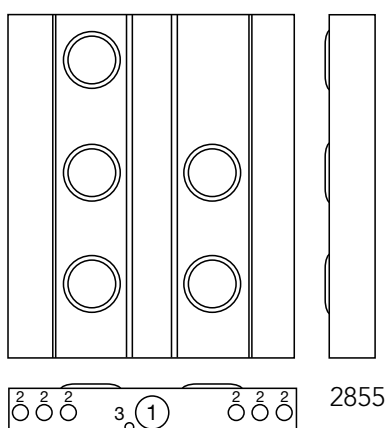
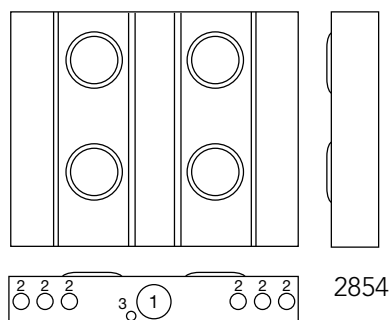
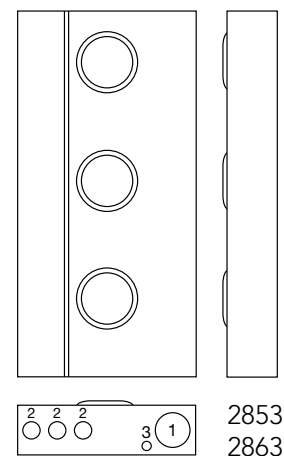
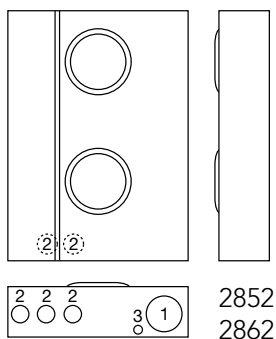
Please consult serving utility for their requirements prior to ordering or installing, as specifications and approvals vary by utility, and may require local electrical inspector approval. All installations must be installed by a licensed electrician and must comply with all national and local codes, laws and regulations. Milbank reserves the right to make changes in specifications and features shown without notice or obligation.



Multi-Position Meter Mains

Knockout Information

Catalog Number	Knockouts		
	1	2	3
U2852-X-KK	3	1¼	¼,½
U2853-X-KK	3	1¼	¼,½
U2854-X-KK	3	1¼	¼,½
U2855-X-KK	3	1¼	¼,½
U2856-X-KK	3	1¼	¼,½
U2862-X-KK	3	2	¼,½
U2863-X-KK	3	2	¼,½
U2864-X-KK	3	2	¼,½
U2865-X-KK	3	2	¼,½
U2866-X-KK	3	2	¼,½



Multi-Position Meter Mains

125 & 200 Amp | 4 Terminal | Ringless | 120/240 VAC



U2854-X-KK-PED

(Order circuit breakers as extra;
shown without pedestal)



U2866-X-KK-PED

(Order circuit breakers as extra;
shown without pedestal)

125 Amp per Position | Multi-Position Meter Main | Ringless | 22K AIC

Catalog Number	Positions	Service	Hub	AIC Rating	Connectors CU/AL	Dimensions		
					Line	D"	W"	H"
U5902-X-KK-K1-PED-CECHA	2	OH/UG	C.P.	22k AIC	3/8" x 16 Stud*	5 1/8"	26 1/2"	30"
U5903-X-KK-K1-PED-CECHA	3	OH/UG	C.P.	22k AIC	3/8" x 16 Stud*	5 1/8"	34 5/8"	30"
U5904-X-KK-PED-CECHA	4	OH/UG	C.P.	22k AIC	3/8" x 16 Stud*	5 1/8"	42 5/8"	30"
U5905-X-KK-PED-CECHA	5	OH/UG	C.P.	22k AIC	3/8" x 16 Stud*	5 1/8"	51 1/20"	30"
U5906-X-KK-PED-CECHA	6	OH/UG	C.P.	22k AIC	3/8" x 16 Stud*	5 1/8"	59 3/10"	30"

200 Amp per Position | Multi-Position Sockets | Ringless

Catalog Number	Positions	Service	Hub	AIC Rating	Connectors CU/AL	Dimensions		
					Line	D"	W"	H"
U5882-X-KK-K1-PED-CECHA	2	OH/UG	C.P.	22k AIC	3/8" x 16 Stud*	5 1/8"	26 1/2"	30"
U5883-X-KK-K1-PED-CECHA	3	OH/UG	C.P.	22k AIC	3/8" x 16 Stud*	5 1/8"	34 5/8"	30"
U5884-X-KK-PED-CECHA	4	OH/UG	C.P.	22k AIC	3/8" x 16 Stud*	5 1/8"	42 5/8"	30"
U5885-X-KK-PED-CECHA	5	OH/UG	C.P.	22k AIC	3/8" x 16 Stud*	5 1/8"	51 1/20"	30"
U5886-X-KK-PED-CECHA	6	OH/UG	C.P.	22k AIC	3/8" x 16 Stud*	5 1/8"	59 3/10"	30"

Breaker Chart

Manufacturer	125-200 Amps	100 Amps or Less
Cutler Hammer	BR, WBJ	QP, BR
Siemens	QNR	QP
G.E.	THQ	THQ
Square D	—	Homeline

Notes

- **Knockouts:** See drawings on the back page.
- **Optional:** Factory installed breakers are available—consult factory.
- **AIC Rating:** All models are rated 22K AIC when used with approved breakers rated at 22K.
- **Hub:** Units supplied with one (1) closing plate. Order hubs separately, see accessories page.
- **Fifth Terminal:** For field installed fifth terminal, order K5T.
- **Connectors:** Socket is supplied with 3/8" - 16 hex head nuts with Belleville washers. For connector lug kits, order as **extra** from chart on the accessories page. Separate lug kits are required for line and load.

Please consult serving utility for their requirements prior to ordering or installing, as specifications and approvals vary by utility, and may require local electrical inspector approval. All installations must be installed by a licensed electrician and must comply with all national and local codes, laws and regulations. Milbank reserves the right to make changes in specifications and features shown without notice or obligation.



22

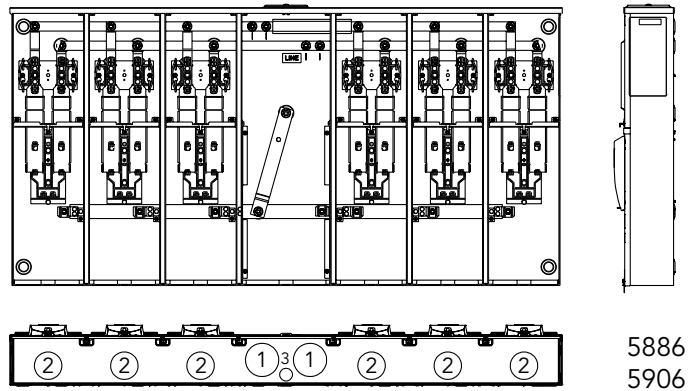
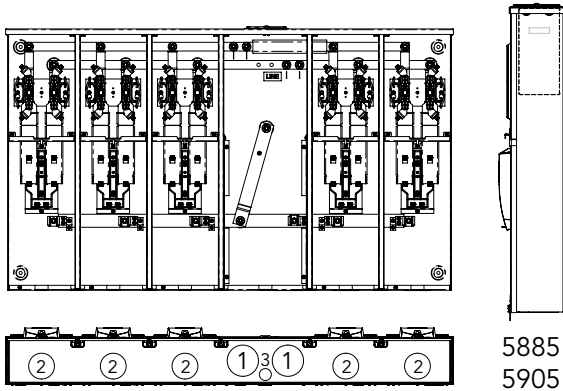
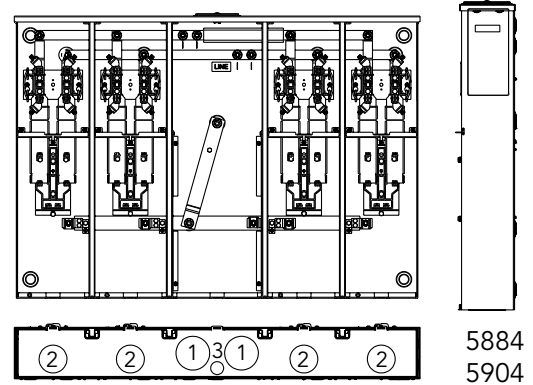
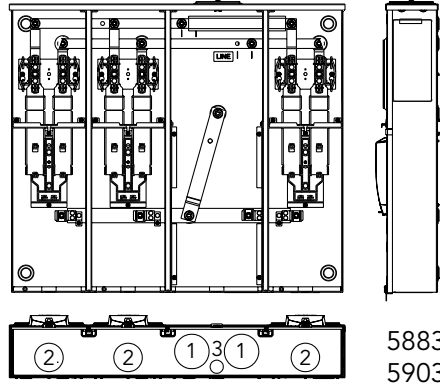
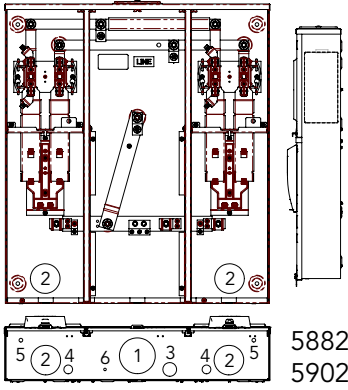
MULTI-POSITION
METER MAINS

Multi-Position Meter Mains

200 Amps | 120/240 VAC | 22K AIC | Ringless



All knockouts are 2½"



Connector Information

Factory Installed Suffix	Field Installed Kit	Description 3-Per Kit	Manufacturer	Catalog Number	Lug Torque (LB-IN)	Wire Range
-K1	K1539	1-Pos. 350	Milbank	ETA-350	275	350 kcmil – #6 AWG
			CMC	LA-350		
			ILSCO	TA-350	375	
-K2	K1350	2-Pos. 350	Milbank	EC-350	275	300 kcmil – #6AWG
			ILSCO	AU-350		
			CMC	2AB-350		
-K3	K1540	1-Pos. 600/ Twin 250	HOMAC	A-600-CT	500	400 kcmil – #4 AWG (2) 250 kcmil – 1/0 AWG
			ILSCO	TA-500-S	550	
			CMC	LA-630	500	
-K4	K1541	2-Pos. 600	ILSCO	AU-600-TWIN	500	600 kcmil – #2 AWG
			CMC	2AB-600		



Please consult serving utility for their requirements prior to ordering or installing, as specifications and approvals vary by utility, and may require local electrical inspector approval. All installations must be installed by a licensed electrician and must comply with all national and local codes, laws and regulations. Milbank reserves the right to make changes in specifications and features shown without notice or obligation.

Current Transformer Cabinets

Commonwealth Edison Area Units | UL listed

23
MULTI-POSITION
METER MAINS

CT Cabinets without meter Underground Entry and Overhead Exit

Catalog Number	Amps	Voltage	Phase	SCCR	Dimensions			Cabinet Drawing	Bus Drawing
					H"	W"	D"		
CEM-403	400	600	1Ø3W	65kA	42	24	8	20104-02	20104-803
CEM-433	400	600	3Ø3W	65kA	42	24	8	20104-02	20104-882
CEM-404	400	600	3Ø4W	65kA	42	24	8	20104-02	20104-803
CEM-603	600	600	1Ø3W	65kA	48	25	10	20104-04	20104-813
CEM-633	600	600	3Ø3W	65kA	48	25	10	20104-04	20104-884
CEM-604	600	600	3Ø4W	65kA	48	25	10	20104-04	20104-813
CEM-803	800	600	1Ø3W	65kA	48	25	10	20104-04	20104-823
CEM-833	800	600	3Ø3W	65kA	48	25	10	20104-04	20104-888
CEM-804	800	600	3Ø4W	65kA	48	25	10	20104-04	20104-823
CEM-1203	1200	600	1Ø3W	85kA	66	42	17	20104-16	20104-839
CEM-1233	1200	600	3Ø3W	85kA	66	42	17	20104-16	20104-837
CEM-1204	1200	600	3Ø4W	85kA	66	42	17	20104-16	20104-839
CEM-1603	1600	600	1Ø3W	85kA	66	42	17	20104-16	20104-851
CEM-1633	1600	600	3Ø3W	85kA	66	42	17	20104-16	20104-845
CEM-1604	1600	600	3Ø4W	85kA	66	42	17	20104-16	20104-851
CEM-2003	2000	600	1Ø3W	85kA	66	42	17	20104-16	20104-863
CEM-2033	2000	600	3Ø3W	85kA	66	42	17	20104-16	20104-862
CEM-2004	2000	600	3Ø4W	85kA	66	42	17	20104-16	20104-863
CEM-2504	2500	600	3Ø4W	85kA	72	42	20	20104-13	20104-735
CEM-3004	3000	600	3Ø4W	85kA	72	42	20	20104-13	20104-736

Notes

- For fusible or breaker disconnect options, please contact the factory for more information.

Please consult serving utility for their requirements prior to ordering or installing, as specifications and approvals vary by utility, and may require local electrical inspector approval. All installations must be installed by a licensed electrician and must comply with all national and local codes, laws and regulations. Milbank reserves the right to make changes in specifications and features shown without notice or obligation.



Current Transformer Cabinets

Commonwealth Edison Area Units | UL listed



CEM-1204-13



CEM-804-13

CT Cabinets with wiring harness and pre-wired meter socket and test switch
Underground Entry and Overhead Exit

Catalog Number	Amps	Voltage	Phase	SCCR	Dimensions			Cabinet Drawing	Bus Drawing
					H"	W"	D"		
CEM-403-6	400	600	1Ø3W	65kA	42	24	8	20104-02A	20104-803
CEM-433-8	400	600	3Ø3W	65kA	42	24	8	20104-02A	20104-882
CEM-404-13	400	600	3Ø4W	65kA	42	24	8	20104-02A	20104-803
CEM-603-6	600	600	1Ø3W	65kA	48	25	10	20104-04A	20104-813
CEM-633-8	600	600	3Ø3W	65kA	48	25	10	20104-04A	20104-884
CEM-604-13	600	600	3Ø4W	65kA	48	25	10	20104-04A	20104-813
CEM-803-6	800	600	1Ø3W	65kA	48	25	10	20104-04A	20104-823
CEM-833-8	800	600	3Ø3W	65kA	48	25	10	20104-04A	20104-888
CEM-804-13	800	600	3Ø4W	65kA	48	25	10	20104-04A	20104-823
CEM-1203-6	1200	600	1Ø3W	85kA	66	42	17	20104-16A	20104-839
CEM-1233-8	1200	600	3Ø3W	85kA	66	42	17	20104-16A	20104-837
CEM-1204-13	1200	600	3Ø4W	85kA	66	42	17	20104-16A	20104-839
CEM-1603-6	1600	600	1Ø3W	85kA	66	42	17	20104-16A	20104-851
CEM-1633-8	1600	600	3Ø3W	85kA	66	42	17	20104-16A	20104-845
CEM-1604-13	1600	600	3Ø4W	85kA	66	42	17	20104-16A	20104-851
CEM-2003-6	2000	600	1Ø3W	85kA	66	42	17	20104-16A	20104-863
CEM-2033-8	2000	600	3Ø3W	85kA	66	42	17	20104-16A	20104-862
CEM-2004-13	2000	600	3Ø4W	85kA	66	42	17	20104-16A	20104-863
CEM-2504-13	2500	600	3Ø4W	85kA	72	42	20	20104-13A	20104-735
CEM-3004-13	3000	600	3Ø4W	85kA	72	42	20	20104-13A	20104-736

Notes

- For fusible or breaker disconnect options, please contact the factory for more information.



Please consult serving utility for their requirements prior to ordering or installing, as specifications and approvals vary by utility, and may require local electrical inspector approval. All installations must be installed by a licensed electrician and must comply with all national and local codes, laws and regulations. Milbank reserves the right to make changes in specifications and features shown without notice or obligation.

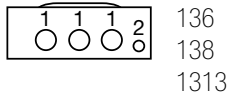
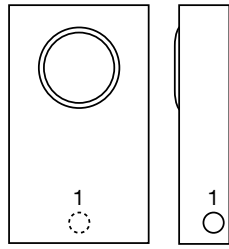
Transformer Rated

20 Amp | 6, 8 & 13 Terminals

25
TRANSFORMER
RATED



CE136



CE1313

20 Amp | Transformer Rated Sockets | Ringless

Catalog Number	Terminals	Phase	Service	Hub	Dimensions			Knockouts	
					D"	W"	H"	1	2
CE136-CECHA	6	1Ø3W	UG	Blank	4 $\frac{1}{8}$	12	20	1 $\frac{1}{4}$	$\frac{1}{4}, \frac{1}{2}$
CE138-CECHA	8	3Ø3W	UG	Blank	4 $\frac{1}{8}$	12	20	1 $\frac{1}{4}$	$\frac{1}{4}, \frac{1}{2}$
CE1313-CECHA	13	3Ø4W	UG	Blank	4 $\frac{1}{8}$	12	20	1 $\frac{1}{4}$	$\frac{1}{4}, \frac{1}{2}$

Notes

- Type 3R enclosure.
- One-piece sealable cover with padlock provision.

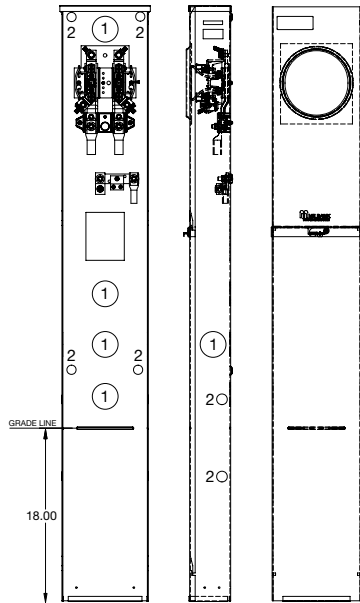
Please consult serving utility for their requirements prior to ordering or installing, as specifications and approvals vary by utility, and may require local electrical inspector approval. All installations must be installed by a licensed electrician and must comply with all national and local codes, laws and regulations. Milbank reserves the right to make changes in specifications and features shown without notice or obligation.



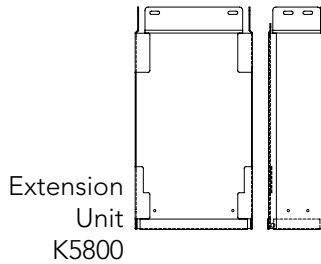
CECHA
APPROVED



U8436-O



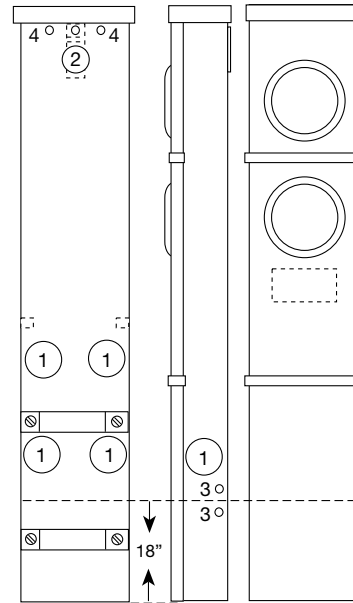
8436



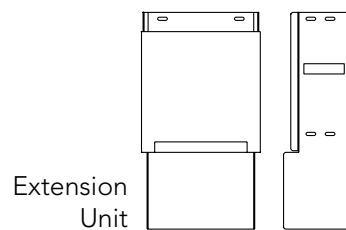
Extension
Unit
K5800



U8303-O



8303



Extension
Unit
S8988

200 Amp | 4 Terminal | Ringless | 1Ø3W | Residential Pedestal

Catalog Number	Amps	Service	Hub	Bypass	Connectors CU/AL		Dimensions			Knockouts			
					Line (Compression)	Load	D"	W"	H"	1	2	3	4
U8436-O-CECHA	200	UG	Blank	Horn	4/0 (Line) 2/0 (Neutral)	#6-350	4 ¹ / ₈	9	62	2	1 ¹ / ₄ , 1 ¹ / ₂	—	—
U8303-O-CECHA	200	UG	Blank	Horn	4/0 (Line) 2/0 (Neutral)	#6-350	4 ¹ / ₂	8 ³ / ₁₆	74	2 ¹ / ₂	1 ³ / ₄	1 ¹ / ₄ , 1 ¹ / ₂	5 ¹ / ₁₆

Notes

- **Hanging Hook:** Supplied with keyhole hanger for easy mounting.
- **Extension Unit:** For **U8436**, order extension unit **K5800** for 15" burial applications and two **K5800** units for 30" burial applications. For **U8303**, order extension kit **S8988** for 24" burial applications.
- **Fifth Terminal:** For field installed fifth terminal, order catalog number **K5T**.

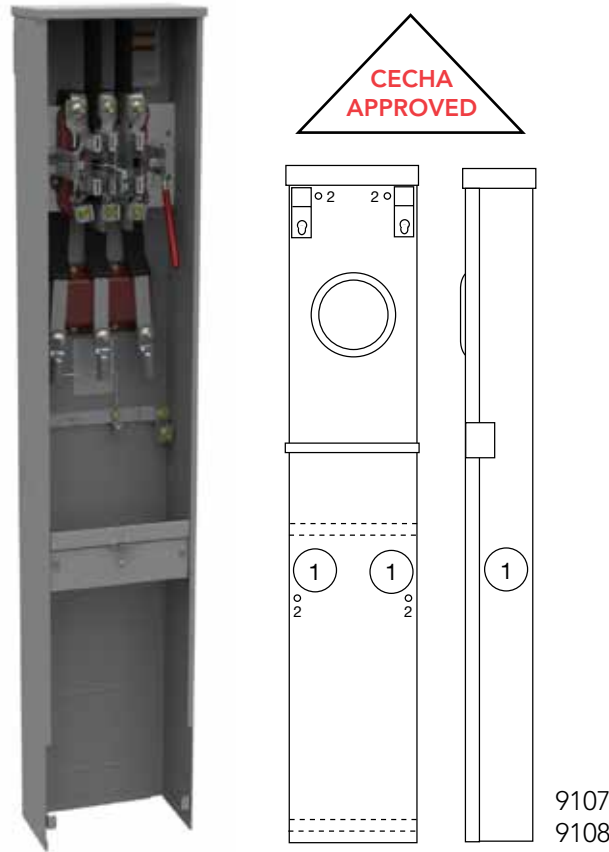


Please consult serving utility for their requirements prior to ordering or installing, as specifications and approvals vary by utility, and may require local electrical inspector approval. All installations must be installed by a licensed electrician and must comply with all national and local codes, laws and regulations. Milbank reserves the right to make changes in specifications and features shown without notice or obligation.

Lever Bypass Meter Pedestals

100-200 Amp | 5 & 7 Terminal | Ringless | 600 VAC

27
LEVER BYPASS
METER
PEDESTALS



U9107-O -CECHA

100-200 Amp | Metered Pedestals | Lever Bypass | Ringless | Lever Bypass

Catalog Number	Terminals	Phase	Service	Hub	Connectors CU/AL		Dimensions			Knockouts	
					Line	Load	D"	W"	H"	1	2
U9108-O-CECHA	5	1Ø3W or 3Ø3W	UG	Blank	3/0-4/0	#6-350	6	11	58	2½	⅝
U9107-O-CECHA	7	3Ø4W	UG	Blank	3/0-4/0	#6-350	6	11	58	2½	⅝

Notes

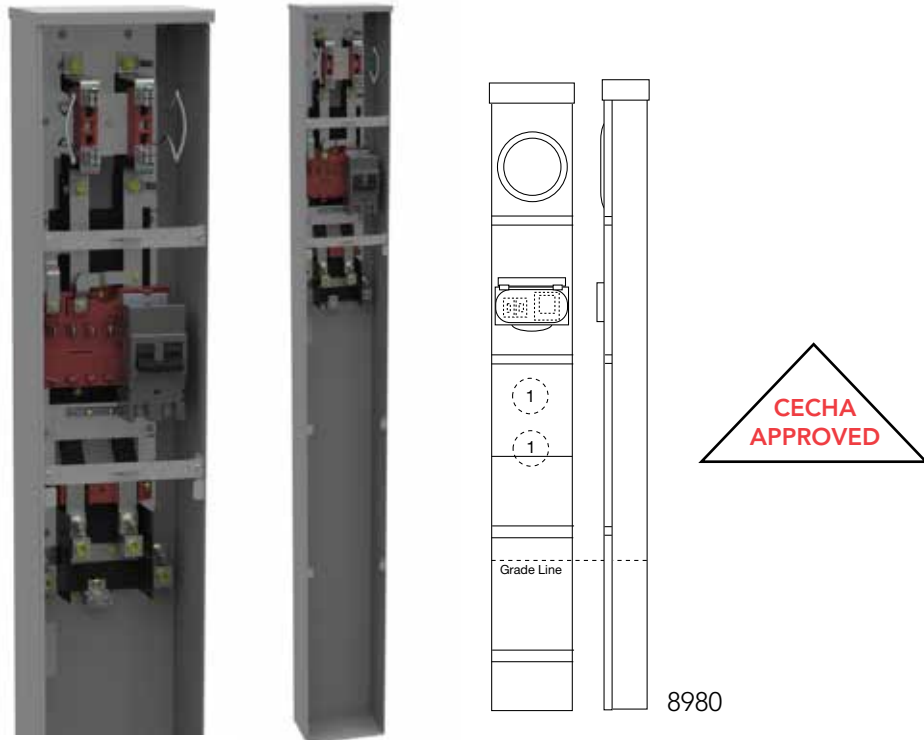
- **Bypass:** Lever supplies clamping action on meter spades and also operates bypass device.
- **Neutral Disconnect:** The **U9108** has a manual neutral disconnect bolt.
- **Direct Burial:** For free standing use, order separately burial kit **#S3488**.
- **Fifth Terminal:** **U9108** Includes factory installed fifth terminal at 9 o'clock. For fifth terminal at 6 o'clock, substitute -5T6 suffix in catalog number.

Please consult serving utility for their requirements prior to ordering or installing, as specifications and approvals vary by utility, and may require local electrical inspector approval. All installations must be installed by a licensed electrician and must comply with all national and local codes, laws and regulations. Milbank reserves the right to make changes in specifications and features shown without notice or obligation.



Meter Main Pedestal

100-200 Amp | 4 Terminal | Ringless 240 VAC



NU8980-O-200-KK

100-200 Amp | 4 Terminal | Ringless | Underground Service

Catalog Number	Hub	Connectors CU/AL		Bypass	Main Breaker		Dimensions			Knockouts
		Line	Load		10K	22K	D"	W"	H"	
NU8980-O-KK	Blank	#6-350	CB*	Horn	—	—	6	9	79	2½
NU8980-O-KK-LP	Blank	#6-350	CB*	Horn	—	—	6	9	70	2½
NU8980-O-SF100-KK	Blank	#6-350	#6-1/0	Horn	Q2100	Q2100H	6	9	79	2½
NU8980-O-SF100-KK-LP	Blank	#6-350	#6-1/0	Horn	Q2100	Q2100H	6	9	70	2½
NU8980-O-200-KK	Blank	#6-350	1/0-300	Horn	UQFP	UQFPH	6	9	79	2½
NU8980-O-200-KK-LP	Blank	#6-350	1/0-300	Horn	UQFP	UQFPH	6	9	70	2½

Notes

- * Field Installed Circuit Breaker Required.
- **Series Wired Main:** For series wired main order wire kit **K4714** and **UQFPH-M** type circuit breaker.
- **Branch Circuit Breakers:** Branch interior accepts most manufacturers' small frame plug-in type circuit breakers (Milbank, GE, Siemens, Cutler-Hammer).
- **SF:** SF in catalog number has small frame plug-in type circuit breaker installed on middle stabs of 4-circuit interior. Only two single pole space available.
- **Fifth Terminal:** For field-installed 5th terminal order kit **K5T**. Mounts in 9 o'clock position only.
- **Extension Kit:** Available for low profile (-LP) units only. Order kit **K4694**.

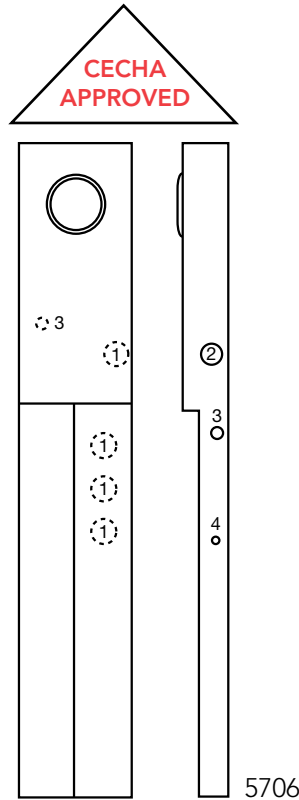


Please consult serving utility for their requirements prior to ordering or installing, as specifications and approvals vary by utility, and may require local electrical inspector approval. All installations must be installed by a licensed electrician and must comply with all national and local codes, laws and regulations. Milbank reserves the right to make changes in specifications and features shown without notice or obligation.

Meter Main w/ Load Center Pedestal

200 Amp | 4 Terminal | Ringless | 240 VAC

29
METER MAIN W/
LOAD CENTER
PEDESTAL



U5706-O-2005-KK-CECHA

Pedestal shown with receptacles installed.
Receptacles are sold separately. Consult
factory to order with receptacles installed.

200 Amp | 4 Terminal | Meter Main Pedestal | Ringless

Catalog Number	Service	Bypass	Connectors CU/AL		Dimensions			Knockouts			
			Line	Load	D"	W"	H"	1	2	3	4
U5706-O-2005-KK-CECHA	UG	Horn	#6-350	CB	5½	14	80	2½	2	1	¼, ½

Notes

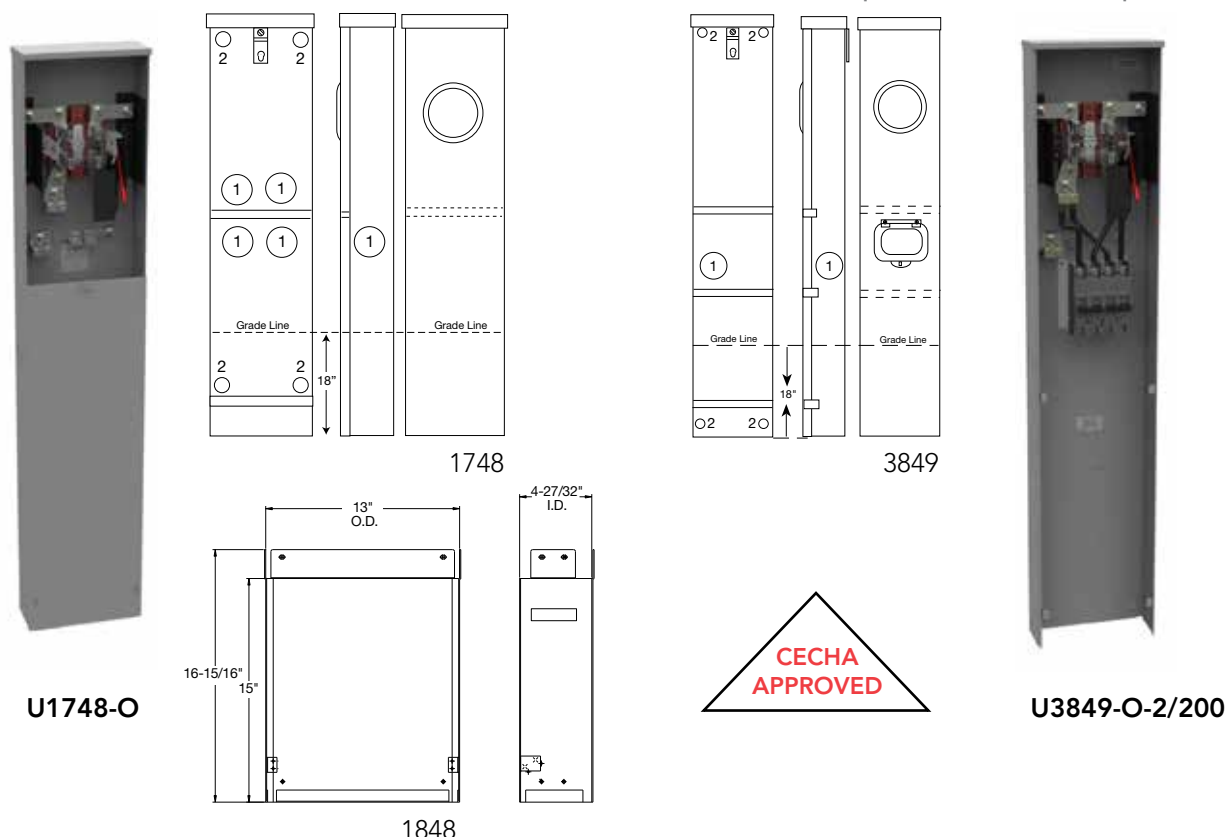
- **Fifth Terminal:** For field installed fifth terminal, order part number **K5T**.
- **Branch Circuit Breakers:** Branch interior accepts most manufacturers' small frame plug-in type circuit breakers (GE, Siemens, Cutler Hammer, Murray).

Please consult serving utility for their requirements prior to ordering or installing, as specifications and approvals vary by utility, and may require local electrical inspector approval. All installations must be installed by a licensed electrician and must comply with all national and local codes, laws and regulations. Milbank reserves the right to make changes in specifications and features shown without notice or obligation.



Lever Bypass Residential Pedestal

320 Amp Continuous | 4 Terminal | 240 VAC



320 Amp | 4 Terminal | Without Breaker | Ringless

Catalog Number	Service	Hub	Bypass	Connectors CU/AL		Dimensions			Knockouts	
				Line	Load	D"	W"	H"	1	2
U1748-O	UG	Blank	Lever	3/8" x 16 Studs	Twin #6-350	4 7/8	13	64	2 1/2	5/16

Notes

- **Bypass:** The lever supplies clamping action on the meter spade and also operates the bypass device.
- **Fifth Terminal:** For field-installed fifth terminal order kit **K3865**.
- **Pedestal Extension Kit:** If extension kit is required, order as extra kit **S1848**.

320 Amp | 4 Terminal | Meter Main with Breakers | Ringless

Catalog Number	Service	Hub	Bypass	Connectors CU/AL		Dimensions			Knockouts	
				Line	Load	D"	W"	H"	1	2
U3849-O-2/200-CECHA	UG	Blank	Lever	3/8" x 16 Studs	CB #1-300 kcmil	4 7/8	13	58	2 1/2	5/16
U3849-O-200-100-CECHA	UG	Blank	Lever	3/8" x 16 Studs	See lug note below*	4 7/8	13	58	2 1/2	5/16

Notes

- **Breakers:** The **U3849** is furnished with (2) Milbank type **UQFBH** 22K AIC circuit breakers.
- **Pedestal Extension Unit:** If extension kit is required, order as extra kit **S1848**.
- **Bypass:** The lever supplies clamping action on the meter spade and also operates the bypass device.
- **Fifth Terminal:** For field-installed fifth terminal order kit **K3865**.
- ***Lugs:** The 200 amp is 1/0-300 and the 100 amp is #3-#1.



Please consult serving utility for their requirements prior to ordering or installing, as specifications and approvals vary by utility, and may require local electrical inspector approval. All installations must be installed by a licensed electrician and must comply with all national and local codes, laws and regulations. Milbank reserves the right to make changes in specifications and features shown without notice or obligation.

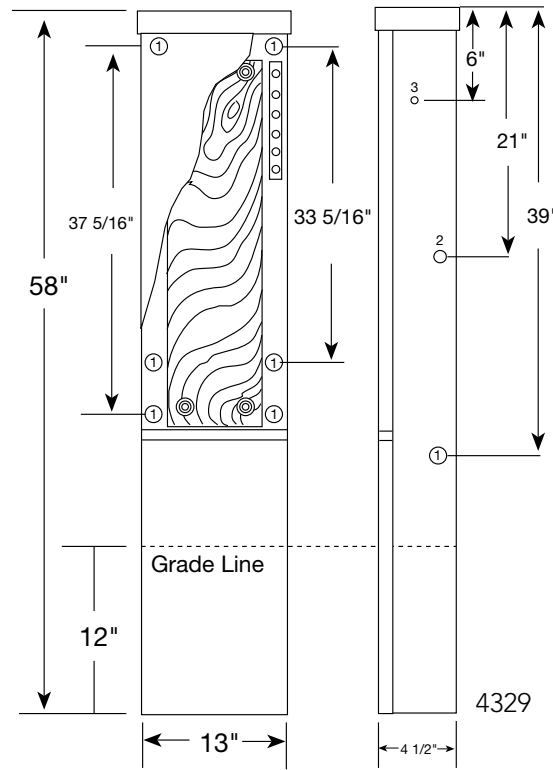
Joint Use Termination Cabinet

Accommodates telephone and cable conductors

31
JOINT USE
TERMINATION
CABINET



U4329-O



Joint Use Termination Cabinet

Catalog Number	Hub	Bypass	Connectors CU/AL		Dimensions			Knockouts		
			Line	Load	D"	W"	H"	1	2	3
U4329-O	Blank	None	None	None	4 ⁷ / ₈	13	58	1	1/2	7/16

Notes

- **Communication Compartment:** Easily attaches to Milbank meter pedestals for use in new construction.
- **Telephone and Cable Conductors:** This unit will accommodate both telephone and cable conductors, eliminating the use of multiple, unsightly network interface devices on the outer structure of the home, while providing tamper resistance to the communication modules.
- **Single Location Point of Service:** The **U4329** combined with the Milbank meter pedestal provides a single location point of service, making access for utility service personnel convenient and efficient.
- NEMA 3R rated

Please consult serving utility for their requirements prior to ordering or installing, as specifications and approvals vary by utility, and may require local electrical inspector approval. All installations must be installed by a licensed electrician and must comply with all national and local codes, laws and regulations. Milbank reserves the right to make changes in specifications and features shown without notice or obligation.





UQFP
UQFPH



UQFP-M
UQFPH-M



UQFB-X1



UQFBH

200 Amp Frame | Plug-In | 10,000 AIC & 22,000 AIC | Two-Pole - Common Trip

Amps	10K AIC Plug-In	22K AIC Plug-In	10K AIC Plug-In	22K AIC Plug-In	Wire Range	
					CU	AL
100	UQFP-100	UQFPH-100	UQFP-M-100	UQFPH-M-100	#3-#1	#1-1/0
125	UQFP-125	UQFPH-125	UQFP-M-125	UQFPH-M-125	#3-#1	#1-1/0
150	UQFP-150	UQFPH-150	UQFP-M-150	UQFPH-M-150	1/0-300	2/0-300
175	UQFP-175	UQFPH-175	UQFP-M-175	UQFPH-M-175	1/0-300	2/0-300
200	UQFP-200	UQFPH-200	UQFP-M-200	UQFPH-M-200	1/0-300	2/0-300

200 Amp Frame | Bolt-On | 10,000 AIC & 22,000 AIC | Two-Pole - Common Trip

Amps	10K AIC Bolt-On	22K AIC Bolt-On	10K AIC Bolt-On	22K AIC Bolt-On	Wire Range	
					CU	AL
100	UQFB-100	UQFBH-100	UQFB-100-X1	UQFBH-M-100	#3-#1	#1-1/0
125	UQFB-125	UQFBH-125	UQFB-125-X1	UQFBH-M-125	#3-#1	#1-1/0
150	UQFB-150	UQFBH-150	UQFB-150-X1	UQFBH-M-150	1/0-300	2/0-300
175	UQFB-175	UQFBH-175	UQFB-175-X1	UQFBH-M-175	1/0-300	2/0-300
200	UQFB-200	UQFBH-200	UQFB-200-X1	UQFBH-M-200	1/0-300	2/0-300

Notes

- **UL listed:** For use with 60°C or 75°C wire.
- **UQFP:** For parallel main circuit breaker applications.
- **UQFP-M:** For series main circuit breaker applications Split load tab features allow for feed-through capability.
- **UQFB:** (2) 1/0-300 lugs provided on load and line side (cable-in, cable-out).
- **UQFB3:** Three-pole available. Consult factory.
- **UQFB-X:** (2) 1/0-300 lugs provided on load side and (2) line bar bus connections on line side.
- **UQFB-M:** For series main circuit breaker applications. Split load tab features allow for feed-through capability.



Please consult serving utility for their requirements prior to ordering or installing, as specifications and approvals vary by utility, and may require local electrical inspector approval. All installations must be installed by a licensed electrician and must comply with all national and local codes, laws and regulations. Milbank reserves the right to make changes in specifications and features shown without notice or obligation.

Circuit Breakers

QP (small frame) and QN (large frame) | 120/240 VAC

15–125 Amp Breaker
Plug-In Type | 1" Per Pole

Amps	Poles	10K AIC Plug-In	22K AIC Plug-In
15	Single	Q115	Q115H
15	Double	Q215	Q215H
20	Single	Q120	Q120H
20	Double	Q220	Q220H
25	Single	Q125	Q125H
25	Double	Q225	Q225H
30	Single	Q130	Q130H
30	Double	Q230	Q230H
35	Single	Q135	Q135H
35	Double	Q235	Q235H
40	Single	Q140	Q140H
40	Double	Q240	Q240H
50	Single	Q150	Q150H
50	Double	Q250	Q250H
60	Single	Q160	Q160H
60	Double	Q260	Q260H
70	Single	Q170	Q170H
70	Double	Q270	Q270H
80	Double	Q280	Q280H
90	Double	Q290	Q290H
100	Double	Q2100	Q2100H
125	Double	Q2125	Q2125H



QN2200H



QN2200RH



WBJ2200



Q250

200 Amp Frame | Plug-In | 10,000 AIC & 22,000 AIC | Two-Pole, Common Trip

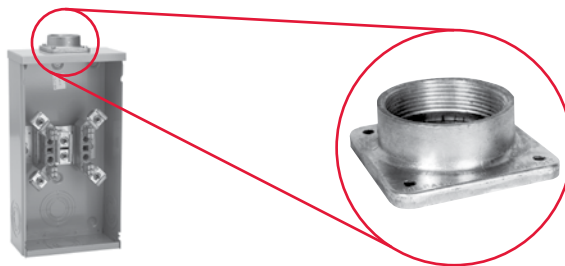
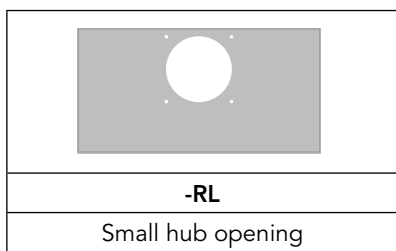
Amps	10K AIC Plug-In	22K AIC Plug-In	Handle Location	Wire Range	
				CU	AL
150	QN2150	QN2150H	Left facing	#4-300	#4-300
200	QN2200	QN2200H	Left facing	#4-300	#4-300
150	QN2150R	QN2150RH	Right facing	#4-300	#4-300
200	QN2200R	QN2200RH	Right facing	#4-300	#4-300
150	WBJ2150	—	Centered	#2-300	#2-300
200	WBJ2200	—	Centered	#2-300	#2-300

Notes

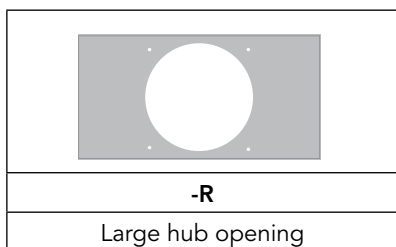
- Load connectors supplied with breakers.
- UL listed for use with 60°C or 75°C wire.
- Wire sizes shown are lug capacity. Consult NEC Article #310 for specific wire sizes.

Please consult serving utility for their requirements prior to ordering or installing, as specifications and approvals vary by utility, and may require local electrical inspector approval. All installations must be installed by a licensed electrician and must comply with all national and local codes, laws and regulations. Milbank reserves the right to make changes in specifications and features shown without notice or obligation.





-WL A7514	-YL A7515	-ZL A7516	-DL A7517	-EL A7518	-XL A7551
1" hub	1¼" hub	1½" hub	2" hub	2½" hub	Small closing plate



-F A8110	-G A8111	-H A8112	-X A9064	-RRL S8324	-RXL S8324 A7551
3" hub	3½" hub	4" hub	Large closing plate	Large hub opening adapted to small hub opening	Large Hub opening adapted to small closing plate

Notes

- **Suffix:** Add to catalog number for factory installation of hub.
- **Packaging:** Individually packed units for field installation.
- **Abbreviations:** H.O. (hub opening), C.P. (closing plate).
- Hub Mast rated





Please consult serving utility for their requirements prior to ordering or installing, as specifications and approvals vary by utility, and may require local electrical inspector approval. All installations must be installed by a licensed electrician and must comply with all national and local codes, laws and regulations. Milbank reserves the right to make changes in specifications and features shown without notice or obligation.

Accessories

Connector Kits, Closing Kits & Generator Interlock

Connector Kits — For Use with 3/8"-16 Stud Type Units Only

					
Single			Twin		
Suffix	Part #	(3 per set) - 1Ø	Suffix	Part #	(3 per set) - 1Ø
K1	K1539	6-350	K2	K1350	6-350
K3	K1540	4-600 or (2) 1/0-250*	K2L	K1350L	6-350 (non rotating)
K3L	K1540L	4-600 or (2) 1/0-250* (non rotating)	K4	K1541	4-600
Suffix	Part #	(4 per set) - 3Ø	Suffix	Part #	(4 per set) - 3Ø
K5	K3082	6-350	K6	K3442	6-350
K7	K3441	4-600 or (2) 1/0-250*	K8	K3083	4-600

*For (2) 1/0-250, conductors must be of same size.



Bypass Link



Note

Consult factory for proper connector kits for studded meter sockets.

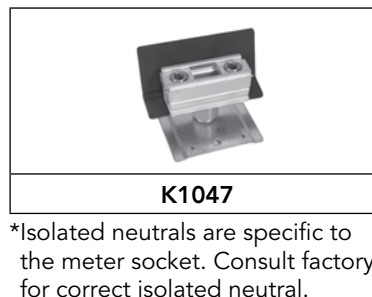
Closing Covers

	
Meter Closing Plate (Ring Type/Ringless)	Metal Closing Plate (For Ringless Sockets)
6003 - Grey Plastic	CP-21
6116 - Clear Plastic	
6002 - Clear Plastic	

Disconnect Sleeve

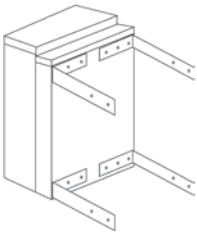


Isolated Neutral Kit

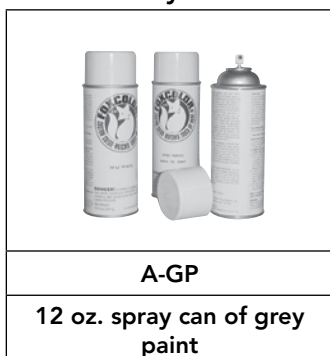


Pole Hanger Kit

850 comes with 4 pole hangers

	
Catalog Number	Description of pole hanger brackets
850	Two pair (4 pieces) with mounting hardware

ANSI-61-Grey

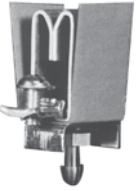





Please consult serving utility for their requirements prior to ordering or installing, as specifications and approvals vary by utility, and may require local electrical inspector approval. All installations must be installed by a licensed electrician and must comply with all national and local codes, laws and regulations. Milbank reserves the right to make changes in specifications and features shown without notice or obligation.

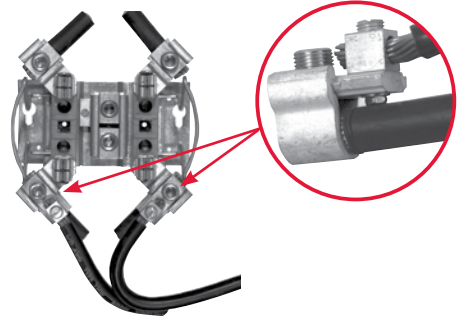


Fifth Terminals, Tap Connectors & Block Assemblies


Fifth Terminals

			
5T8K2 - 100-200 Amp "Plug-In"	K5T - 200 Amp (Block with Square Hole)	K3865 - Heavy Duty Jaw Clamping (K3866 without Neutral Wire)	K3356


Tap Connectors (3 per set)

	<p>Replaces the load or line side slide-in nut assembly on Milbank 200 amp sockets. Allows for a 100 amp tap location in addition to the #6-350 kcmil load-side connector. K5022 includes safety barrier extensions for applications over 300 VAC. Three lugs per kit.</p>
K4977-INT - Internal Hex	
K4977-EXT - External Hex	
K5022-INT - Internal Hex (set of 4 w/ barrier) Wire Range #12 - 1/0	


Triplex Ground


K1190 (For factory installed triplex ground, add suffix -TG to catalog number)

100 Amp Blocks *(single sockets only)*


BL7474 - Block Assembly
Z904486-AO - Slotted Nut Assembly
Z802965-AC - Neutral without Nut
Z901925-AC - Hex Nut Set Screw

200 Amp Blocks *(single sockets only)*


K4527 - Internal Hex Block Assembly (w/ meter support)
K4528 - External Hex Block Assembly (w/ meter support)
Z916265-AO - Internal Hex Slide Nut Assembly
Z916264-AO - External Hex Slide Nut Assembly
Z814898-AC - Neutral without Nut



Please consult serving utility for their requirements prior to ordering or installing, as specifications and approvals vary by utility, and may require local electrical inspector approval. All installations must be installed by a licensed electrician and must comply with all national and local codes, laws and regulations. Milbank reserves the right to make changes in specifications and features shown without notice or obligation.

Commercial Pedestals

Attractive | Easy to Install | Secure | Cost-Effective

Milbank Commercial Pedestals are pad-mounted, weather resistant electrical enclosures consisting of a utility pull section with optional meter socket, and a customer section containing distribution and control equipment. Milbank Commercial Pedestals are an attractive, secure, easy to install and cost-effective solution when underground remote site power distribution and control equipment is required, replacing unsightly and inefficient strut and backboard structures.



Strut and backboard



Commercial pedestal

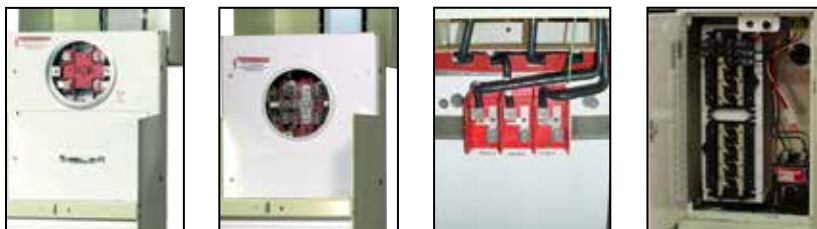
UL listed as Industrial Control Equipment (File E113855)

Standard Features

- Type 3R rain-resistant, vandal-resistant cabinet of polyurethane powder coated steel (aluminum or stainless steel also available)
- UL listed as enclosed industrial control equipment (UL508)
- Isolated lockable and sealable utility metering and lug landing sections
- Lockable customer section for distribution and control equipment with internal deadfront
- Print pocket inside customer section door contains wiring schematics and installation instructions
- Most load centers are UL listed for use with various manufacturers' circuit breakers
- All stainless steel external hardware (screws, bolts, hinges, handles, hasps and sealing screws)

Note

All meter form and bypass options available to meet utility requirements.



Please consult serving utility for their requirements prior to ordering or installing, as specifications and approvals vary by utility, and may require local electrical inspector approval. All installations must be installed by a licensed electrician and must comply with all national and local codes, laws and regulations. Milbank reserves the right to make changes in specifications and features shown without notice or obligation.



Attractive | Easy to Install | Secure | Cost-Effective



Applications

These units are ideal for controlling and metering:

- Traffic signals
- Street lighting
- Power distribution for EV charging stations
- Irrigation and sprinkler systems
- Cell towers and telephone vaults
- Pump stations
- Temporary power for fairgrounds, swap meets, outdoor markets, portable offices, holiday lights, etc.
- Outdoor lighting for athletic fields, tennis and basketball courts, parking lots, landscaping and subdivision entrances, etc.

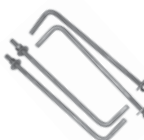
Available Factory-Installed Options

- Meter sockets: ring type or ringless, up to 400 amp
- Main and branch breakers or T fuses
- Distribution: copper load centers and panel boards
- Clocks, timers and relays
- Photoelectric cells and controls
- Power receptacles: pin and sleeve, twist lock or straight blade
- Contactors: definite purpose, electrical or mechanically held, IEC and mercury types
- Surge protection and lightning arrestors
- Reserve inlet generator receptacle with interlocked circuit breakers
- Motor starters and relays
- Push button controls
- Thermostat controls, fans and heating strips
- Power blocks and terminal blocks
- Steel, aluminum and plywood backboards
- Transformers
- Interlock devices for circuit breakers
- Available in steel, aluminum (raw painted or anodized) or stainless steel construction with powder coated finish available in eight standard colors or special-ordered RAL colors
- Available for applications up to 400 amp, 120V, 208V, 240V, 277V, 480V - 1Ø or 3Ø

Accessories



K3865
Fifth terminal kit for use with ringless meter sockets



CP-ABK5/8
Anchor bolt kit (includes four 5/8 - 13 x 18" anchor bolts)



105J
Fifth terminal kit for use with ring type meter sockets



CP-TC7D
7-day time clock kit
CP-TC24H
24-hour time clock kit
CP-TCWIRE
Male 4-pin connector and wiring harness for use with time clocks other than above



CP-PE-HOA-3POS
HOA switch for field installation



CP-16PDMNT-CALT
16" pedestal mounting base

CP-24PDMNT-CALT
24" pedestal mounting base (includes mounting hardware)



Please consult serving utility for their requirements prior to ordering or installing, as specifications and approvals vary by utility, and may require local electrical inspector approval. All installations must be installed by a licensed electrician and must comply with all national and local codes, laws and regulations. Milbank reserves the right to make changes in specifications and features shown without notice or obligation.

Commercial Pedestals

Main Load Center Series | Custom Designs Available

CP3B "ML" Series

Main Load Center Series

1Ø3 wire 120/240V or 208Y/120V

Application: remote site service for multiple loads

Milbank Main Load Center Commercial Pedestals are designed to handle the vast majority of all requirements in a standard, stocked configuration.

- All units feature a load center with a plug-on, back-fed main breaker.
- Load center has 16 positions for the 100 amp pedestals and 24 circuits for the 200 amp pedestals.
- Both sizes include sub-feed lugs to allow feeding an external panel.

If your application requires turning loads on based on "dusk-to-dawn" requirements, be sure to see the Milbank Switched Load Center Commercial Pedestal products on the following page.

Features

These units include everything required for remote site service:

- NEMA 3R construction.
- Expandable: load centers allow for future expansion without costly modifications.
- All units feature 200 amp meter socket with optional field installable fifth terminal kit available.
- 22K amps interrupting capacity (AIC) standard.
- Optional mounting base can be embedded in concrete for fast, easy installation.
- Separate sealable and lockable utility termination section.
- Separate sealable and lockable metering section.
- Separate sealable and lockable customer section with a load center for "always on" loads that include a main circuit breaker, 20 (125 or 200 amp model) or 14 (100 amp model) blank breaker spaces and a circuit directory to document configuration.

Note
All meter form and bypass options available to meet utility requirements.



Typical Applications
Remote site service for multiple loads.

Standard Pedestals	Optional Fifth Terminal Kit	Main CB		Load Center Circuits	Meter Socket Type
		Amp	Spaces		
CP3B51115A22	K3865	100	1,2	16	Ringless socket with lever bypass
CP3B52119A22	K3865	200	1,2,3,4	24	Ringless socket with lever bypass

Notes

- Chart shows standard, stocked items. Other options and features are available. Contact factory for options, details and availability.

Please consult serving utility for their requirements prior to ordering or installing, as specifications and approvals vary by utility, and may require local electrical inspector approval. All installations must be installed by a licensed electrician and must comply with all national and local codes, laws and regulations. Milbank reserves the right to make changes in specifications and features shown without notice or obligation.



CP3B "SL" Series

Switched Load Center Series
1Ø3 wire 120/240V or 208Y/120V

Milbank Switched Load Center Commercial Pedestals are designed not only to provide power for various loads, but also to switch specific loads on and off under certain conditions. A photoelectric cell is used for these controlled loads, and an optional time clock is also available.

Note
All meter form and bypass options available to meet utility requirements.



Features

These units include everything required for remote site service:

- NEMA 3R construction.
- Expandable: load centers allow for future expansion without costly modifications.
- All units feature 200 amp meter socket with optional field installable fifth terminal kit available.
- 22K amps interrupting capacity (AIC) standard.
- Optional mounting base can be embedded in concrete for fast, easy installation.
- Separate sealable and lockable utility termination section.
- Separate sealable and lockable metering section.
- Separate sealable and lockable customer section with a control circuit including PE receptacle, Lexan® window, glare shield, Hand-Off-Auto (HOA) switch, contractor controlling a 16-circuit load center for controlled loads, a pre-mounted DIN rail and pre-wired connector to add an optional "plug-and-play" time clock kit for PE on and TC off operation and a circuit directory to document configuration.
- A load center for "always on" loads that includes a main circuit breaker, a control power circuit breaker, a switched load center main breaker, nine (125 or 200 amp model) or 11 (100 amp model) blank breaker spaces and a circuit directory to document configuration.

Typical Applications
Traffic signals, parking lots, highways & athletic field lighting

Standard Pedestals	Optional Fifth Terminal Kit	Main CB		Contactor Amperage	Meter Socket Type
		Amp	Spaces		
CP3B51110A22SL1	K3865	100	1,3	60	Ringless socket with lever bypass
CP3B52110A22SL1	K3865	200	1,2,3,4	100	Ringless socket with lever bypass

Notes

- Chart shows standard, stocked items. Other options and features are available. Contact factory for options, details and availability.



Please consult serving utility for their requirements prior to ordering or installing, as specifications and approvals vary by utility, and may require local electrical inspector approval. All installations must be installed by a licensed electrician and must comply with all national and local codes, laws and regulations. Milbank reserves the right to make changes in specifications and features shown without notice or obligation.

Commercial Pedestals

CP3B "400" 400 Amp Series



Milbank 400 Amp Commercial Pedestals are designed to provide a weather and vandal resistant metered enclosure for various loads and distribution. Each pedestal has been designed to handle a wide range of applications using standard, stocked configurations.

- Choice of a single main breaker or twin service disconnect breakers gives flexibility to the pedestal design.
- Optional distribution with feed-through lugs below the service disconnect breakers allows the pedestal to handle numerous applications.
- Typical applications include remote homes where the metering is best located at the curb side or other remote area. The pedestal can also provide power to secondary residence, on-site business, workshop, irrigation, lighting, security or other secondary load.
- Available in custom colors to match home or landscaping.

Features

These units include everything required for remote service:

- Type 3R construction
- Main circuit breaker or dual service disconnects
- Expandable: load center units allow for future expansion without costly modifications
- Optional mounting base can be embedded in concrete for fast, easy installation
- Separate sealable and lockable utility termination section with lug termination
- Separate sealable and lockable metering section
- A separate sealable and lockable customer section with a circuit directory and a print pocket to hold all documentation
- Meter socket options include ring type with bypass studs, ringless with heavy duty lever bypass, or K-Type bolt-on

Typical Applications

Remote site service for residential and commercial job sites.

Standard Pedestals	Optional fifth Terminal Kit	Main CB	Load Center Circuits	Meter Socket Type
CP3B54120B22	K3865	2-200 amp	(2) 12 circuit	Ringless with lever bypass
CP3B5411JB22	K3865	320 amp (400 max)	0	Ringless with lever bypass

Notes

- Chart shows standard, stocked items. Other options and features are available. Contact factory for options, details and availability.
- Stud utility landing is standard. Lug kits are available from factory.
- Units with load centers have (2) #6-250 sub-feed lugs on each load center. (Each load center is 200 amp rated and UL listed with: Siemens, General Electric and Cutler-Hammer plug-in style circuit breakers.)

Please consult serving utility for their requirements prior to ordering or installing, as specifications and approvals vary by utility, and may require local electrical inspector approval. All installations must be installed by a licensed electrician and must comply with all national and local codes, laws and regulations. Milbank reserves the right to make changes in specifications and features shown without notice or obligation.



Commercial Pedestals

CP3B "IR" Irrigation Control Series



Milbank "IR" Series Irrigation Pedestals install quickly and simply – often in less than an hour with a single technician—a fraction of the time typically needed for strut farm and other installation set ups. Additionally, the pedestal comes pre-wired, so the technician simply drops in the pre-drilled concrete box pad, fastens the pedestal and runs the wires. Prewired landing lugs are provided in a separate utility side so that there is no more need to wrestle with hard-to-bend wires. Simply run the utility wire up and land on the lugs. With both the motor starter and disconnect in the same enclosure, all the controls are housed in a safe, lockable pedestal that protects against vandalism and energy theft.

Features

- 3Ø4W, 480Y/277 volt
- One technician can install in under an hour with use of Milbank's pre-drilled box pad
- All units are UL listed and service entrance rated
- Fused disconnect with accessible handle through the deadfront
- HOA and push button start
- Separate accessible utility side with pre-wired landing lugs
- NEMA rated starters (sizes 1-5)
- Soft start units sizes 30HP-150HP
- 30 amp fuse block for pivot pre-wired in the unit
- White powder coated paint finish helps keep components cooler
 - Options include:
 - Hour meter
 - Chemical injection receptacle
 - Multiple injection receptacle
 - Multiple 30 amp fuse blocks possible

Typical Applications

Power pedestal for irrigation systems or other pump control applications.

Standard Pedestals	Exterior Cabinet	NEMA Rating
CP3B0281UMWIR04	White	4
CP3B0281UMWIR03	White	3
CP3B0181UMWIR02	White	2

Notes

- Chart shows standard, stocked items. Other options and features are available. Contact factory for options, details and availability.



Please consult serving utility for their requirements prior to ordering or installing, as specifications and approvals vary by utility, and may require local electrical inspector approval. All installations must be installed by a licensed electrician and must comply with all national and local codes, laws and regulations. Milbank reserves the right to make changes in specifications and features shown without notice or obligation.

Commercial Pedestals

CP3B "BBS" Battery Backup Series



Milbank BBS Series Commercial Pedestals are designed to provide battery backup power for various loads, and to switch specific loads on and off under certain conditions; a photoelectric cell or time clock to control lighting circuits, as an example. Metered and unmetered power distribution options are available. The back-up power pedestal is designed to handle the vast majority of today's back-up power requirements. By using 19" rack design, shelves can be adjusted to accommodate the required batteries and manufactures DC to AC inverters, transfer switches and other related equipment. This design gives the user a wide range of design and configuration options. Complete turnkey, ready to power-up pedestals are offered along with basic units ready to accept batteries and inverters supplied by others.

Features

- Type 3R construction
- 100 through 320 amp meter socket with the option of either a ring type socket (conforms to EUSERC 308) with or without test/bypass blocks or a heavy duty ringless socket with lever bypass
- Separate sealable utility termination compartment
- An isolated separate customer section with service disconnects, power distribution options and power control
- 19" wide rack in customer compartment for easy layout of equipment
- Battery trays
- Thermostat with cooling fan
- Filtered louvers for heat rise flow through ventilation
- Three point door latch (key or pad lockable)

Typical Applications

Metered emergency uninterrupted power for traffic intersections, wireless, phone and communications equipment, parking lots, camera and security locations

Options

- Manual bypass switch
- Transfer switch for generator power back-up
- Generator inlet receptacles 30 amp through 200 amp
- Pad lockable provision for receptacles
- Police access door
- Metered load center distribution
- Unmetered load center distribution
- Photo electric controls (for street lighting)
- Time clocks
- HOA switches
- Contactors
- GFI duplex receptacles
- Thermostat for heating control
- Heating pads or elements
- Roll out shelves for batteries
- Surge arrestors and lighting arrestors

Please consult serving utility for their requirements prior to ordering or installing, as specifications and approvals vary by utility, and may require local electrical inspector approval. All installations must be installed by a licensed electrician and must comply with all national and local codes, laws and regulations. Milbank reserves the right to make changes in specifications and features shown without notice or obligation.



Commercial Pedestals

CP3B "Power Transfer" Series



Milbank Power Transfer Series Pedestals provide unmeted AC power, distribution, surge suppression, mechanical interlock and stand-by generator receptacle—all in a neat, compact pedestal.

Features

- 120/240V 1Ø3W through 277/480V 3Ø4W ratings
- Metered or unmeted units
- Choice of EUSERC ring type or ringless meter sockets
- 60 amp through 400 amp ratings
- UL listed Type 3R rated
- Pad lockable, isolated utility compartments
- 20 amp GFI convenience receptacle
- Lockable recessed generator receptacle door
- Utility and generator indicator light options
- All stainless steel hardware
- Galvanized steel, aluminum or stainless steel cabinet options
- Custom designs available



Typical Applications

Traffic intersections, cell sites, cable TV, pump and lift stations requiring utility power with backup generator power



Please consult serving utility for their requirements prior to ordering or installing, as specifications and approvals vary by utility, and may require local electrical inspector approval. All installations must be installed by a licensed electrician and must comply with all national and local codes, laws and regulations. Milbank reserves the right to make changes in specifications and features shown without notice or obligation.

Commercial Pedestals

CP3BB "CT Metered" Series

45
COMMERCIAL
PEDESTALS



Milbank CT Metered Series Commercial Pedestals are designed to be used where a smaller service package would be a better choice over large 3R rated combination switchboards. These pedestals have amperage ratings of 400 to 800 amps at voltages up through 480 volt three phase.

Features

- UL listed, freestanding Type 3R service
- A low profile CT pedestal
- All utility equipment is isolated in separated pad lockable and sealable compartments
- Separate customer compartment designed to hold distribution and control equipment
- Dead front customer construction
- Optional mounting base
- Optional construction in steel, aluminum and stainless steel.
- Wide choice of powder paint colors

Typical Applications

Large homes, pumping & lift stations, motor control, water treatment plants, EV charging stations, commercial buildings, large remote service requirements, commercial and industrial control systems

Please consult serving utility for their requirements prior to ordering or installing, as specifications and approvals vary by utility, and may require local electrical inspector approval. All installations must be installed by a licensed electrician and must comply with all national and local codes, laws and regulations. Milbank reserves the right to make changes in specifications and features shown without notice or obligation.





Milbank Slimline Series Commercial Pedestals provide a sleeker, smaller footprint, with wireway access on the side of the unit rather than the back, allowing maximum flexibility to place the pedestal in tighter spaces.

Features

- UL listed as service equipment
- 100 or 200 amp
- Vandal-resistant, secure and attractive design
- Customer compartment with distribution and control equipment with swing dead front door, secured with both a hasp/latch and draw latch outer door
- Utility metering compartment protected with a hinged hood, increasing resistance to meter vandalism
- Small footprint
- Wireway located on left side of pedestal for utility incoming wire, allowing pedestal to be mounted with back very close to a wall (14")
- Available in 12" and 20" widths and 50" and 63" (metered) and 43" (unmetered) heights
- Includes a print pocket for plans and drawings
- 200 amp main available
- Voltage range: 120V–480V
- Compatible with both ringless and ring type meter sockets, 4–7 terminals
- Available in a wide array of colors, including but not limited too all ANSI powder coated paint colors upon request
- Pedestal mounting base option saves time and labor to install on a cement pad—no anchor bolts required
- Powder coated G90 galvanized steel, raw, anodized or powder coated aluminum and stainless steel exterior options

"Slimline" Series Direct Bury Extension

- No need for concrete
- Bolts directly to unit
- Easy, modular design
- Ships in a smaller package
- Increases project flexibility
- Easier to handle and install
- Utilizes stabilizer feet to prevent leaning over time
- Pedestal and extension can be installed within 45 minutes

Notes

- 14 gauge steel
- Only available for 12" pedestals

Typical Applications

Roadway lighting and signage, wastewater treatment facilities, parks and landscaping, and any application where physical space is at a premium



Please consult serving utility for their requirements prior to ordering or installing, as specifications and approvals vary by utility, and may require local electrical inspector approval. All installations must be installed by a licensed electrician and must comply with all national and local codes, laws and regulations. Milbank reserves the right to make changes in specifications and features shown without notice or obligation.

NEMA Commercial Enclosures

Milbank's line of commercial enclosures includes the full gamut of styles and sizes; everything from junction boxes to transformer cabinets, telephone cabinets to wireway.

Type 1 Enclosures

Milbank's Type 1 enclosures are designed for indoor use to provide a degree of protection to personnel against access to hazardous parts and to provide a degree of protection of the equipment inside the enclosure against ingress of solid foreign objects, such as falling dirt.

Type 3R Enclosures

Milbank's Type 3R enclosures are designed for either indoor or outdoor use to provide a degree of protection from harmful effects on the equipment due to the ingress of water (rain, sleet, snow) and that will be undamaged by the external formation of ice on the enclosure.

Wireway

Milbank's wide range of wireway is available in many styles and sizes and its wide range of fittings allows it to smoothly transition to and from competitors' products.



NEMA Industrial Enclosures

Milbank's line of industrial enclosures include junction boxes, wiring trough, push-button enclosures and modular enclosures. Milbank also excels in special designs; nearly any type, size or color of enclosure you need, we can make!

Type 12 Enclosures

Enclosures constructed without knockouts for indoor use to provide a degree of protection to personnel against access to hazardous parts, and protect components against falling dirt, circulating dust and lint, and dripping or splashing water.

Type 4 Enclosures

Enclosures constructed for either indoor or outdoor use to provide a degree of protection to personnel against access to hazardous parts; protect equipment against falling dirt and windblown dust; protect against rain, sleet, snow, splashing water, and hose directed water; and is resistant to damage by the external formation of ice on the enclosure.

Industrial Enclosure Specials

Milbank specializes in custom enclosure projects, offering an almost limitless amount of styles, options, colors and sizes. Milbank will meet your needs and specifications and deliver a custom enclosure that protects your crucial electric equipment.

Thermal Management

Protect components housed in enclosures from damage caused by overheating, freezing, humidity and condensation with these thermal management products.

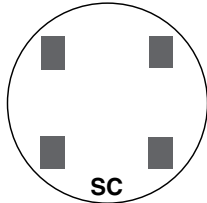


Please consult serving utility for their requirements prior to ordering or installing, as specifications and approvals vary by utility, and may require local electrical inspector approval. All installations must be installed by a licensed electrician and must comply with all national and local codes, laws and regulations. Milbank reserves the right to make changes in specifications and features shown without notice or obligation.

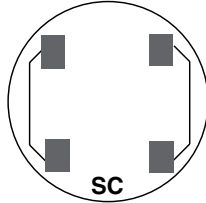


Watthour Meter Forms

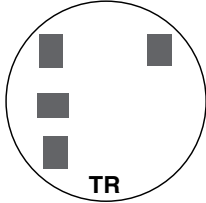
Standard Forms | Transformer Rated or Self-Contained



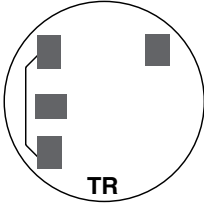
2 and 3-WIRE FORMS
15 & 2S



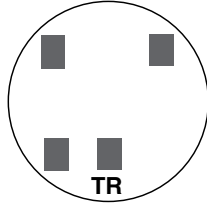
2 and 3-WIRE FORMS
1S & 2S with BYPASS



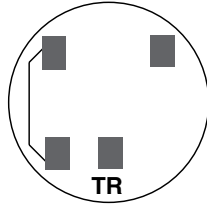
2-WIRE FORM 3S
5th Term. 9 o'clock



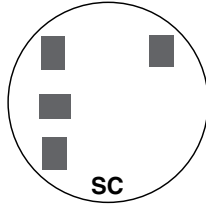
2-WIRE FORM 3S
with BYPASS



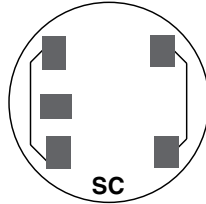
2-WIRE FORM 3S
5th Term. 6 o'clock



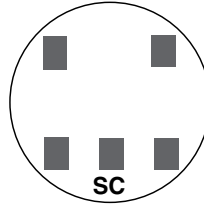
2-WIRE FORM 3S
with BYPASS



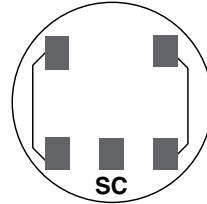
2 ELEMENT
3-WIRE NETWORK
FORM 12S 5th
TERM. 9 o'clock



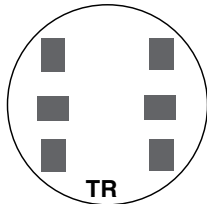
2 ELEMENT 3-WIRE
NETWORK FORM 12S
with BYPASS
5th Term. 9 o'clock



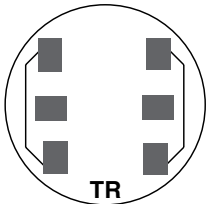
2 ELEMENT
3-WIRE NETWORK
FORM 12S 5th
TERM. 6 o'clock



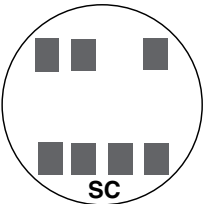
2 ELEMENT 3-WIRE
NETWORK FORM 12S
with BYPASS
5th Term. 6 o'clock



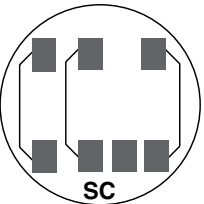
3-WIRE FORM 4S



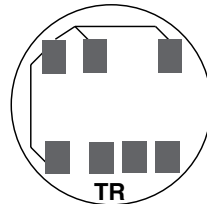
3-WIRE FORM 4S
WITH BYPASS



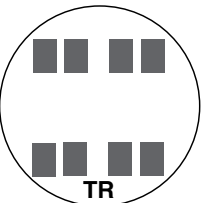
2 or 3 ELEMENT
3Ø4W Y or
Y FORM 14S
FORM 15S
Y FORM 16S



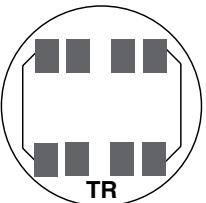
2 or 3 ELEMENT
3Ø4W Y or
FORMS 14S & 15S
with BYPASS



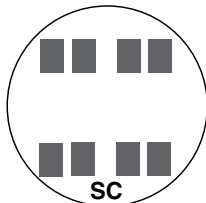
2 ELEMENT
3Ø4W Y or
Y FORM 7S
FORM 24S
with BYPASS



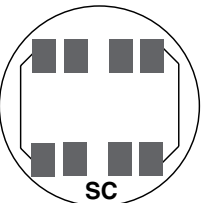
2 ELEMENT
2Ø3W, 2Ø4W, 3Ø3W
FORM 5S



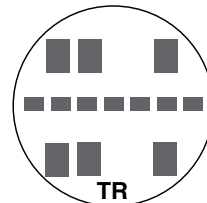
2 ELEMENT Ø3W,
2Ø4W, 3Ø3W
FORM 5S with
BYPASS



2 ELEMENT
2Ø3W, 2Ø4W, 3Ø3W
FORM 13S

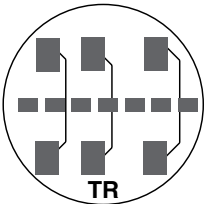


2 or 3 ELEMENT
2Ø3W, 2Ø4W, 3Ø3W
FORM 13S with
BYPASS

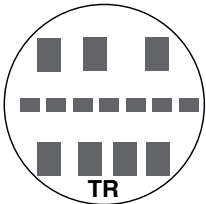


2 or 3 ELEMENT
3Ø4W Y or
Y FORM 9S
FORM 8S

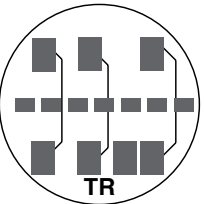
TR = TRANSFORMER RATED
SC = SELF CONTAINED



2 or 3 ELEMENT
3Ø4W Y or
FORMS 8S & 9S
FORMS 8S & 9S
with BYPASS



2 ELEMENT
3Ø4W Y
FORM 6S



2 ELEMENT
3Ø4W Y
FORM 6S
with BYPASS



Please consult serving utility for their requirements prior to ordering or installing, as specifications and approvals vary by utility, and may require local electrical inspector approval. All installations must be installed by a licensed electrician and must comply with all national and local codes, laws and regulations. Milbank reserves the right to make changes in specifications and features shown without notice or obligation.

Meter Forms

Reference Information

DIAGRAM A
1 \emptyset 2W with 1 P.T. & 1 C.T.
Single Stator Meter(2W1 \emptyset) - Form 35
5T Socket, Test Switch #TS04-0101

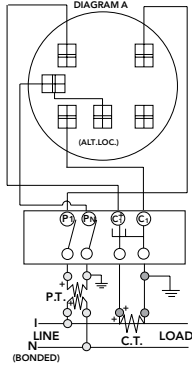


DIAGRAM B
1 \emptyset 3W with 1 C.T.
Single Stator Meter (2W1 \emptyset) - Form 35
5T Socket, Test Switch #TS04-0101

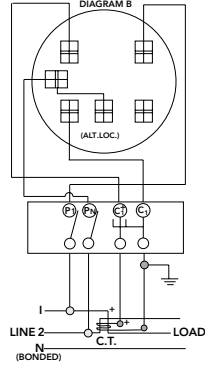


DIAGRAM C
1 \emptyset 3W with 2 C.T.'s
Single Stator Meter (3W1 \emptyset) - Form 45
6T Socket, Test Switch #TS07-0105

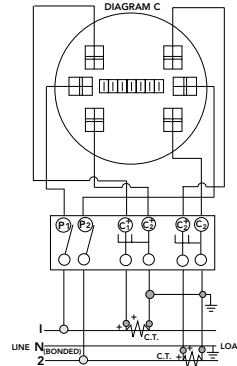


DIAGRAM D
1 \emptyset 3W or 3W Network with 2 C.T.'s
2 Stator Meter - Form 55
8T Socket, Test Switch #TS07-0105

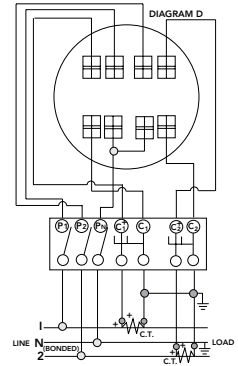


DIAGRAM E
3 \emptyset 3W "A" with 2 P.T.'s & 2 C.T.'s
2 Stator Meter - Form 55
8T Socket, Test Switch #TS07-0105

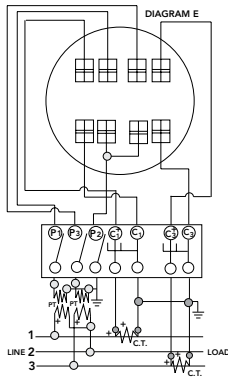


DIAGRAM F
3 \emptyset 3W "A" with 2 C.T.'s
2 Stator Meter - Form 55
8T Socket, Test Switch #TS07-0105

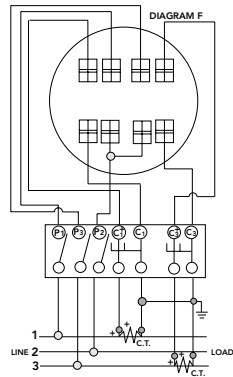


DIAGRAM G
3 \emptyset 4W "Y" with 3 C.T.'s
2 1/2 Stator Meter - Form 65
13T Socket, Test Switch #TS10-0109

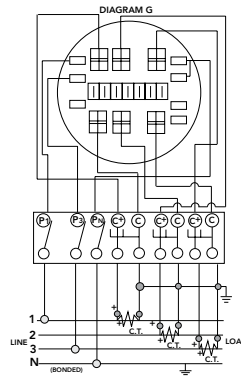


DIAGRAM H
3 \emptyset 4W "Y" with 2 P.T.'s & 3 C.T.'s
2 1/2 Stator Meter - Form 65
13T Socket, Test Switch #TS10-0109

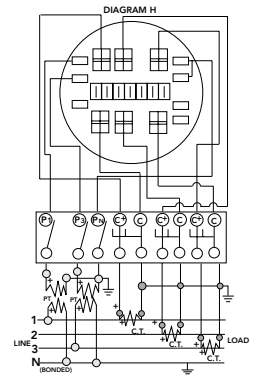


DIAGRAM I
3 \emptyset 4W "Y" or "A" with 3 C.T.'s
"Y": 3 Stator Meter - Form 95
"A": 2 Stator Meter - Form 85
13T Socket, Test Switch #TS10-0109

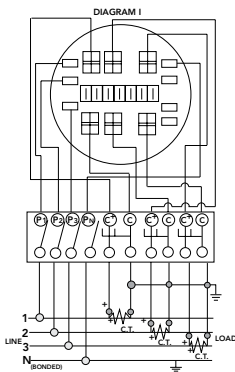
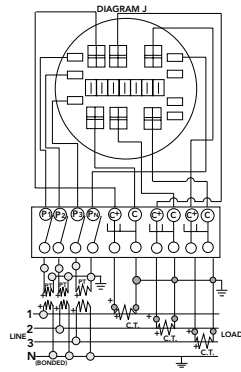


DIAGRAM J
3 \emptyset 4W "Y" with 3 P.T.'s & 3 C.T.'s
3 Stator Meter - Form 95
13T Socket, Test Switch #TS10-0109



Prewiring: If standard factory prewiring is required, refer to wiring diagrams on this page. Determine appropriate diagram and send a copy with order. If custom factory prewiring is required, specify on order. Be sure to include meter socket catalog number, test switch make and catalog number, meter form number and provide a copy of your wiring diagram.

Please consult serving utility for their requirements prior to ordering or installing, as specifications and approvals vary by utility, and may require local electrical inspector approval. All installations must be installed by a licensed electrician and must comply with all national and local codes, laws and regulations. Milbank reserves the right to make changes in specifications and features shown without notice or obligation.



MAXIMUM NUMBER OF CONDUCTORS IN CONDUIT

Table from 2008 NEC Code Reference: Rigid Metal Conduit

Type	Conductor Size (AWG/kcmil)	Conduit Trade Sizes (Inches)									
		½	¾	1	1¼	1½	2	2½	3	3½	4
THHN, THWN, THWN-2	12	9	16	26	46	62	102	146	225	301	387
	10	6	10	17	29	39	64	92	142	189	244
	8	3	6	9	16	22	37	53	82	109	140
	6	2	4	4	12	16	27	38	59	79	101
	4	1	2	4	7	10	16	23	36	48	62
	3	1	1	3	6	8	14	20	31	41	53
	2	1	1	3	5	7	11	19	26	34	44
	1	1	1	1	4	5	8	12	19	25	35
	1/0	1	1	1	3	4	7	10	16	21	27
	2/0	0	1	1	2	3	6	8	13	18	23
3/0	0	1	1	1	3	5	7	11	15	19	
4/0	0	1	1	1	2	4	6	9	12	16	
XHH, XHHW, XHHW-2	4	1	2	4	7	10	16	24	37	49	63
	2	1	1	3	5	7	12	17	26	35	45
	1/0	1	1	1	3	4	7	10	16	22	28
	2/0	0	1	1	2	3	6	9	13	18	23
	4/0	0	1	1	1	2	4	6	9	12	16
	250	0	0	1	1	1	3	5	7	10	13
	350	0	0	1	1	1	2	3	6	7	10
	500	0	0	0	1	1	1	2	4	5	7
750	0	0	0	0	1	1	1	3	4	5	

This table is for concentric stranded conductors only. For cables with compact conductors refer to NEC. Refer to latest NEC Code or Local Codes for updated requirements.

*** ALLOWABLE AMPACITIES OF INSULATED COPPER & ** ALUMINUM CONDUCTORS (3W IN CONDUIT) 75° C (167° F)**

A		AL or **CU-Clad AL	
A	B	A	B
18	—	—	—
16	—	—	—
14	20†	—	—
12	25†	12	20†
10	35†	10	30†
8	50	8	40
6	65	6	50
4	85	4	65
3	100	3	75
2	115	2	90
1	130	1	100
1/0	150	1/0	120
2/0	175	2/0	135
3/0	200	3/0	155
4/0	230	4/0	180
250	255	250	205
300	285	300	230
350	310	350	250
400	335	400	270
500	380	500	310
600	420	600	340
700	460	700	375
750	475	750	385

A = Size: AWG/MCM
***B** = Ampere Rating for Insulation Types:
FEPW, RH, RHW, THW, THWN, XHHW, USE, 2W.
****C** = Ampere Rating for Insulation Types:
RH, RHW, THW, THWN, XHHW, USE
 (Per NEC table 310-16)

AMPACITY CORRECTION FACTORS

Ambient Temp. C°	Correction Factor	Ambient Temp. F°
21 - 25	1.05	70 - 77
25 - 30	1.00	78 - 86
31 - 35	.94	87 - 95
36 - 40	.88	96 - 104
41 - 45	.82	105 - 113
46 - 50	.75	114 - 122
51 - 55	.67	123 - 131
56 - 60	.58	132 - 140
61 - 65	.33	141 - 158

Overall ampere ratings of U/L listed Milbank multiple position meter sockets are based on **2008 N.E.C. Handbook Article 220-84** and **ANSI / UL-414** (except where restricted by line connector size.) These requirements provide for a diversity factor / demand factor being utilized in determining the overall (main bus / lug) rating of a gang socket. All Milbank U/L listed gang sockets meet or exceed these diversity factor/demand and factor requirements. Standard overall ampacity ratings for U/L listed and non U/L listed gang sockets are as shown in the chart below. Ampere ratings of meter sockets are based on the meter socket being wired with 75° C insulated wire conductor, sized in accordance with **Table 310-16** of the **National Electric Code**.

GANG SOCKET OVERALL AMPACITIES

# of Meter Pos.	100A/Pos. Ampacity	125A/Pos. Ampacity	150A/Pos. Ampacity	200A/Pos. Ampacity
2	200A	200A	200A	200A #
3	200A	225A	225A	270A
4	200A	250A	270A	360A
5	225A	285A	338A	450A
6	270A	330A	396A	528A

† Unless otherwise permitted elsewhere in the Code, the overcurrent protection for conductor types marked with an obelisk (†) shall not exceed 15 amps for 14 AWG, 20 amps for 12 AWG, and 30 amps for 10 AWG copper; or 15 amps for 12 AWG and 25 amps for 10 AWG aluminum and copper-clad aluminum after any correction factors for ambient temperature and number of conductors have been applied.
 # Some constructions are rated at 400 amps overall (1252). Contact your sales representative for more information. Refer to latest NEC Code or Local Codes for updated requirements.



Please consult serving utility for their requirements prior to ordering or installing, as specifications and approvals vary by utility, and may require local electrical inspector approval. All installations must be installed by a licensed electrician and must comply with all national and local codes, laws and regulations. Milbank reserves the right to make changes in specifications and features shown without notice or obligation.

Energization of Electrical Equipment

Important Information for Installers

Important Note

In addition to national and local electrical codes, many utilities have specific requirements for metering equipment. Always consult the serving utility for their specifications and requirements prior to ordering or installing Milbank meter mounting equipment.

Before Energizing

1. Give equipment a thorough visual examination to determine that:
 - A. No shipping or installation damage exists.
 - B. Proper clearances have been maintained.
 - C. All connections have been made.
 - D. Equipment is clean and dry.
2. Make a thorough examination to:
 - A. Verify tightness of all bolted connections (see table below).
 - B. Manually operate all circuit breakers, switches, relays, etc.
 - C. Check rigidity of all mountings, bus bars and components.
 - D. Use test equipment to check continuity of circuitry and integrity of insulation.
3. All switches and circuit breakers should be in the "off" position.
4. Verify that manual meter bypass (if applicable) is in non-bypass position.
5. Install cover and/or close doors.
6. If installation is not being energized at this time, follow "after-energizing" steps listed below. These steps will secure the installation in case of accidental energization.

When Energizing

Use caution and follow established safety procedures:

- 1) Wear safety apparel.
- 2) Use safety equipment.
- 3) Take action to prevent injury to yourself and others in the event of failure of the installation.
- 4) Take action to prevent/decrease damage to property in the event of failure of the installation.
- 5) If you are unsure how to safely energize the installation, get someone who is knowledgeable to do it.

After Energizing

Secure the installation:

- 1) To prevent accidental contact with energized parts, cover all openings with approved filler devices.
- 2) To prevent unauthorized access, secure all covers and/or doors with approved security devices.
- 3) Attach/post information to advise others of potential hazards associated with the installation.

Recommended Torque for General Applications*

Nominal Size	Joint Description		Head Type	Torque (Inch Lbs.)
	Screw	Nut		
10	Brass	Brass Nut or Extruded Hole	All	20-25 inch lbs.
10	Steel	Copper or Aluminum Busbar \leq 1/8"	All	25-30 inch lbs.
10	Steel	Steel Nut or Extruded Hole; CU or AL Busbar $>$ 1/8"	All	30-35 inch lbs.
12	Steel	Aluminum Extruded Hole	All	30-35 inch lbs.
12	Steel	Steel Nut or Extruded Hole	All	40-50 inch lbs.
1/4	Steel	Aluminum Extruded Hole	All	40-50 inch lbs.
1/4	Steel	Steel Nut or Extruded Hole; CU or AL Busbar	All	50-60 inch lbs.
5/16	Steel	Aluminum Extruded Hole	Hex	60-70 inch lbs.
5/16	Steel	Steel Nut or Extruded Hole; CU or AL Busbar	Hex	100-150 inch lbs.
3/8	Steel	Steel Nut	Hex	150-200 inch lbs.
1/2	Steel	Steel Nut	Hex	200-250 inch lbs.

* Interior labels typically indicate the required torque for wire connectors and studs, and should be referenced first.
CU: Copper
AL: Aluminum

Please consult serving utility for their requirements prior to ordering or installing, as specifications and approvals vary by utility, and may require local electrical inspector approval. All installations must be installed by a licensed electrician and must comply with all national and local codes, laws and regulations. Milbank reserves the right to make changes in specifications and features shown without notice or obligation.



Materials

Steel Quality

The meter equipment listed in this catalog is made of galvanized steel (AISI* G90) to afford the best possible weather proofing.
*American Iron and Steel Institute.

Steel Sheet

16 gauge, galvanized, sheet: 1 1/4 oz./ sq.ft. class zinc-coated. (AISI G90)
14 gauge, galvanized, sheet: 1 1/4 oz./ sq.ft. class zinc-coated.

Aluminum Extrusion

Wire-Terminals: Alloy; 6061-T6, Tin-plated for CU/AL wire.
Bus Bar: Alloy; 6101-O & 6063-O

Aluminum Sheet

3000 series aluminum sheet, H14, or 5052 series aluminum sheet, H32. Where applicable thicknesses range from .064-.125

Copper Sheet & Bus

Electrolytic copper with tin plating in most applications.

Insulating Materials

- In most units, support bases for current-carrying components are molded from fiberglass reinforced high-strength, track resistant, thermoset polyester molding compounds.
- Clear or black safety shields and polarity barriers are molded from high-strength, track resistant, polycarbonate molding compounds.
- Various sheet insulating materials, as appropriate for the application are utilized in the fabrication of flat, formed and punched component parts and barriers.

Finish

Process

Light gray state-of-the-art electrostatically applied powder paint offers a durable, non-fading finish. For further information concerning the chemical analysis of the weather resistant finish, please contact the factory.

Metal Fasteners

Zinc-coated with a chromate dip.

Ratings & Compliance

Ratings & Compliance

All Milbank electrical enclosures in this catalog are rated "Type 3R Enclosure" unless specified otherwise on the product's page. All enclosures with a UL designation are constructed per the appropriate UL Standard and may be installed per the National Electric Code. UL procedure files associated with the UL Standards are listed as follows: Meter Sockets (UL 414, File E30202), Test Switches (UL 414, File E62531), Power Outlets (UL 231, File E90945), Panelboards (UL 67, File E32628) and Pullout Switches (UL 1429, File E133062). Additional standards are utilized as applicable: Meter Sockets (ANSI C12.7), Test Switches (ANSI C12.9) and Panelboards (NEMA PB-1).



Please consult serving utility for their requirements prior to ordering or installing, as specifications and approvals vary by utility, and may require local electrical inspector approval. All installations must be installed by a licensed electrician and must comply with all national and local codes, laws and regulations. Milbank reserves the right to make changes in specifications and features shown without notice or obligation.

850.....	35	CEM-404-13.....	24	K3866	36
6002.....	35	CEM-433.....	23	K4527	36
6003.....	35	CEM-433-8.....	24	K4528	36
6116.....	35	CEM-603.....	23	K4977-EXT	36
105J.....	38	CEM-603-6.....	24	K4977-INT	36
5T8K2.....	36	CEM-604.....	23	K5022-INT	36
A7514.....	34	CEM-604-13.....	24	K5T	36
A7515.....	34	CEM-633.....	23	K8180	35
A7516.....	34	CEM-633-8.....	24	L572-XL-KK-CECHA.....	16
A7517.....	34	CEM-803.....	23	L573-XL-KK-CECHA.....	16
A7518.....	34	CEM-803-6.....	24	L574-XL-KK-CECHA.....	16
A7551.....	34	CEM-804.....	23	L575-XL-KK-CECHA.....	16
A7551.....	34	CEM-804-13.....	24	L576-XL-KK-CECHA.....	16
A8110.....	34	CEM-833.....	23	M5-144.....	35
A8111.....	34	CEM-833-8.....	24	NU8980-O-200-KK.....	28
A8112.....	34	CP-16PDMNT-CALT.....	38	NU8980-O-200-KK-LP.....	28
A9064.....	34	CP-21	35	NU8980-O-KK.....	28
A-GP	35	CP-24PDMNT-CALT.....	38	NU8980-O-KK-LP.....	28
BL7474	36	CP3B0181UMWIR02	42	NU8980-O-SF100-KK.....	28
CE1313-CECHA.....	25	CP3B0281UMWIR03	42	NU8980-O-SF100-KK-LP.....	28
CE136-CECHA.....	25	CP3B0281UMWIR04	42	Q115	33
CE138-CECHA.....	25	CP3B51110A22SL1.....	40	Q115H.....	33
CEM-1203.....	23	CP3B51115A22.....	39	Q120	33
CEM-1203-6.....	24	CP3B52110A22SL1.....	40	Q120H.....	33
CEM-1204.....	23	CP3B52119A22.....	39	Q125	33
CEM-1204-13.....	24	CP3B5411Jb22	41	Q125H.....	33
CEM-1233.....	23	CP3B54120b22.....	41	Q130	33
CEM-1233-8.....	24	CP-ABK5/8.....	38	Q130H.....	33
CEM-1603.....	23	CP-PE-HOA-3POS.....	38	Q135	33
CEM-1603-6.....	24	CP-TC24H.....	38	Q135H.....	33
CEM-1604.....	23	CP-TC7D.....	38	Q140	33
CEM-1604-13.....	24	CP-TCWIRE	38	Q140H.....	33
CEM-1633.....	23	K1047	35	Q150	33
CEM-1633-8.....	24	K1190	36	Q150H.....	33
CEM-2003.....	23	K1350	35	Q160	33
CEM-2003-6.....	24	K1350L	35	Q160H.....	33
CEM-2004.....	23	K1539	35	Q170	33
CEM-2004-13.....	24	K1540	35	Q170H.....	33
CEM-2033.....	23	K1540L	35	Q2100	33
CEM-2033-8.....	24	K1541	35	Q2100H.....	33
CEM-2504.....	23	K3082	35	Q2125	33
CEM-2504-13.....	24	K3083	35	Q2125H.....	33
CEM-3004.....	23	K3356	36	Q215	33
CEM-3004-13.....	24	K3441	35	Q215H.....	33
CEM-403.....	23	K3442	35	Q220	33
CEM-403-6.....	24	K3865	36	Q220H.....	33
CEM-404.....	23	K3865	38	Q225	33

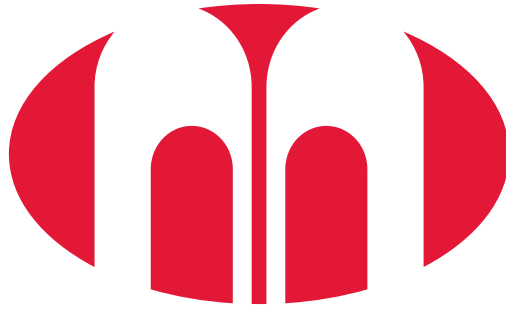
Please consult serving utility for their requirements prior to ordering or installing, as specifications and approvals vary by utility, and may require local electrical inspector approval. All installations must be installed by a licensed electrician and must comply with all national and local codes, laws and regulations. Milbank reserves the right to make changes in specifications and features shown without notice or obligation.



Q225H.....	33	U2866-X-KK-PED-CECHA	19	UQFB-125-X1	32
Q230	33	U3802	5	UQFB-150	32
Q230H.....	33	U3812	5	UQFB-150-X1	32
Q235	33	U3822-20GWR.....	6	UQFB-175.....	32
Q235H.....	33	U3832	5	UQFB-175-X1	32
Q240	33	U3849-O-2/200-CECHA.....	30	UQFB-200.....	32
Q240H.....	33	U3849-O-200-100-CECHA	30	UQFB-200-X1	32
Q250	33	U3862	5	UQFBH-100	32
Q250H.....	33	U4329-O	31	UQFBH-125	32
Q260	33	U4363-X-QG-CECHA	10	UQFBH-150	32
Q260H.....	33	U4881-O-50GB.....	7	UQFBH-175	32
Q270	33	U4881-O-60GB.....	7	UQFBH-200	32
Q270H.....	33	U5168-XTL-100-KK-CECHA.....	13	UQFBH-M-100	32
Q280	33	U5168-XTL-150-KK-CECHA.....	13	UQFBH-M-125	32
Q280H.....	33	U5168-XTL-200-KK-CECHA.....	13	UQFBH-M-150	32
Q290	33	U5706-O-200S-KK-CECHA.....	29	UQFBH-M-175	32
Q290H.....	33	U5750-RXL-100-BL-CECHA.....	14	UQFBH-M-200	32
QN2150	33	U5750-RXL-200-BL-CECHA.....	14	UQFP-100	32
QN2150H.....	33	U5842-RL-100-KK-CECHA.....	12	UQFP-125	32
QN2150R	33	U5842-RL-125-KK-CECHA.....	12	UQFP-150	32
QN2150RH	33	U5842-RL-200-KK-CECHA.....	12	UQFP-175	32
QN2200	33	U5842-RL-KK-CECHA	12	UQFP-200	32
QN2200H.....	33	U5882-X-KK-K1-PED-CECHA	21	UQFPH-100	32
QN2200R	33	U5883-X-KK-K1-PED-CECHA.....	21	UQFPH-125	32
QN2200RH	33	U5884-X-KK-PED-CECHA	21	UQFPH-150	32
S8324	34	U5885-X-KK-PED-CECHA	21	UQFPH-175	32
S8324	34	U5886-X-KK-PED-CECHA	21	UQFPH-200	32
U1252-X-KK-K1-PED	17	U5890-X-2/200.....	15	UQFPH-M-100.....	32
U1253-X-KK-K3-PED	17	U5894-X-2/200.....	15	UQFPH-M-125.....	32
U1254-X-KK-K3-PED	17	U5895-X-2/200.....	15	UQFPH-M-150.....	32
U1255-X-KK-K4-PED	17	U5902-X-KK-K1-PED-CECHA.....	21	UQFPH-M-175.....	32
U1256-X-KK-PED.....	17	U5903-X-KK-K1-PED-CECHA.....	21	UQFPH-M-200.....	32
U1748-O	30	U5904-X-KK-PED-CECHA	21	UQFP-M-100	32
U2732-XT-PED.....	18	U5905-X-KK-PED-CECHA	21	UQFP-M-125	32
U2733-XT-PED	18	U5906-X-KK-PED-CECHA	21	UQFP-M-150	32
U2734-XT-PED	18	U7375-RL-KK-CECHA	11	UQFP-M-175	32
U2735-XT-PED	18	U7607-RL-200-KK-CECHA.....	11	UQFP-M-200	32
U2736-XT-PED	18	U8303-O-CECHA	26	WBJ2150.....	33
U2852-X-KK-K1-PED-CECHA.....	19	U8436-O-CECHA	26	WBJ2200.....	33
U2853-X-KK-K1-PED-CECHA.....	19	U8606-RXL-CECHA.....	9	Z802965-AC.....	36
U2854-X-KK-PED-CECHA	19	U8624-RXL-CECHA.....	9	Z814898-AC.....	36
U2855-X-KK-PED-CECHA	19	U8949-RL-TG-KK-CECHA.....	8	Z901925-AC.....	36
U2856-X-KK-PED-CECHA	19	U9107-O-CECHA	27	Z904486-AO	36
U2862-X-KK-K1-PED-CECHA.....	19	U9108-O-CECHA	27	Z916264-AO	36
U2863-X-KK-K1-PED-CECHA.....	19	UQFB-100.....	32	Z916265-AO	36
U2864-X-KK-PED-CECHA	19	UQFB-100-X1	32		
U2865-X-KK-PED-CECHA	19	UQFB-125.....	32		



Please consult serving utility for their requirements prior to ordering or installing, as specifications and approvals vary by utility, and may require local electrical inspector approval. All installations must be installed by a licensed electrician and must comply with all national and local codes, laws and regulations. Milbank reserves the right to make changes in specifications and features shown without notice or obligation.



MILBANK[®]

ENERGY AT WORK

