

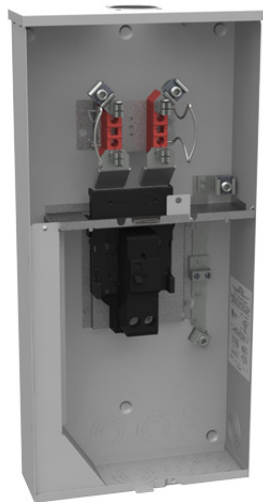


# Meter Mains with Emergency Disconnect

UL Listed | 100-200 Amps



U5842



U5844

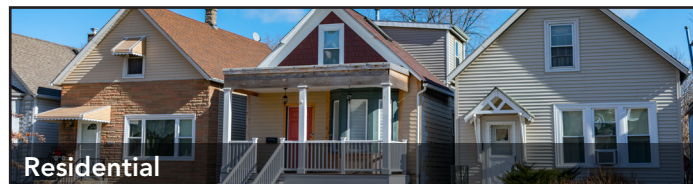
As NEC 2020 starts to be adopted across the country, single position residential meter sockets will need an emergency disconnect. Milbank's U5842 and U5844 series mains are compliant with NEC 2020 sections 230.85 emergency disconnect requirement and 230.62 enclosed or guarded service equipment requirement and could serve as the right solution for your project.

Always check with your local utility to see what products are approved in your area. Milbank is working hard on solutions to ensure our products meet NEC 2020 requirements. If you're looking for a product or have questions, contact your local rep.

## Features

- 100-200 Amps
- Horn bypass option available when ordered with -KK suffix
- Ringless meter socket
- Main breaker
- Overhead/underground entry on U5844; overhead only on U5842
- G90 galvanized steel with powder coat finish
- Single phase
- NEMA 3R enclosure
- UL listed
- Manufactured in the USA

*The U5842 and U5844 can be used for residential applications.*



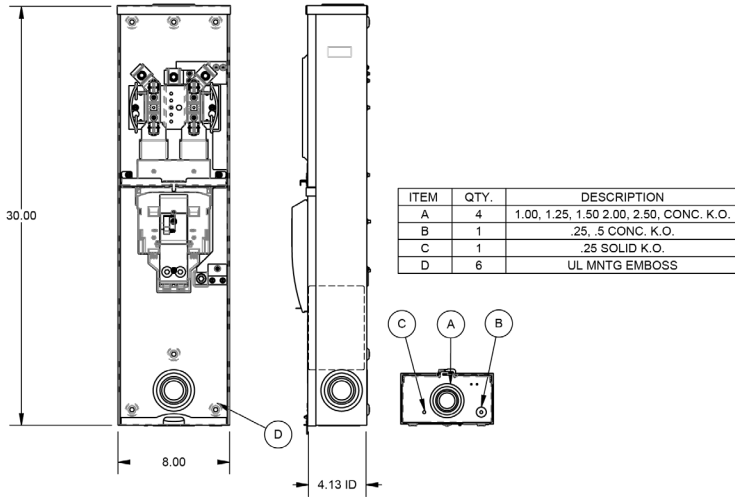
Please consult serving utility for their requirements prior to ordering or installing, as specifications and approvals vary by utility, and may require local electrical inspector approval. All installations must be installed by a licensed electrician and must comply with all national and local codes, laws and regulations. Milbank reserves the right to make changes in specifications and features shown without notice or obligation.



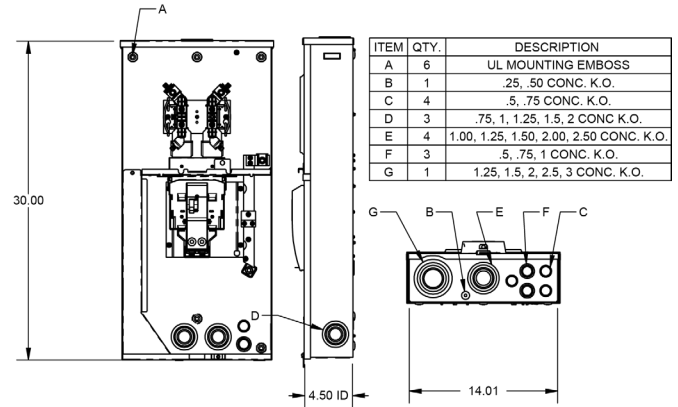


# Meter Sockets with Emergency Disconnect

UL Listed | 100-200 Amps



**U5842**



**U5844**

100-200 Amps | 4 Terminals | Ringless | 1Ø3W

Catalog Number	Amps	Service	Hub	Connectors CU/AL - Line	Dimensions			Knockouts					
					D"	W"	H"	1	2	3	4	5	6
U5842-RL-100	100	OH	H.O.	#6-350	4 $\frac{1}{8}$	8	30	2 $\frac{1}{2}$	$\frac{1}{2}$	$\frac{1}{4}$	—	—	—
U5842-RL-200	200	OH	H.O.	#6-350	4 $\frac{1}{8}$	8	30	2 $\frac{1}{2}$	$\frac{1}{2}$	$\frac{1}{4}$	—	—	—
U5844-PXL-100	100	OH/UG	C.P.	#6-350	4 $\frac{1}{2}$	14	30	3	2 $\frac{1}{2}$	2	1	$\frac{1}{2}$ , $\frac{3}{4}$	$\frac{1}{4}$ , $\frac{1}{2}$
U5844-PXL-200	200	OH/UG	C.P.	#6-350	4 $\frac{1}{2}$	14	30	3	2 $\frac{1}{2}$	2	1	$\frac{1}{2}$ , $\frac{3}{4}$	$\frac{1}{4}$ , $\frac{1}{2}$

Consult your local utility for approved products in your area.

## Notes

- **Bypass:** Horn bypass is available, add suffix -KK to catalog number.
- **AIC Rating:** These meter mains are rated 22K AIC.
- **Hubs:** Units for OH/UG applications are supplied with one closing plate. Order additional hubs separately.
- **Fifth Terminal:** For field-installable fifth terminal, order K5T. Installs in the 9 o'clock position.
- **Circuit Breakers:** Milbank meter mains at 125 Amps or less accept breakers from multiple manufacturers. Refer to the chart below for circuit breaker options.

## Branch Breaker Chart

AIC Rating	Amps	Siemens	Cutler-Hammer	Square D	GE (50 Amps Max)
10K	<125	QP	BR, HQP, QPGF	Homeline	THQL, THQL-GF
	150-200	QN	—	—	—
22K	<125	QPH	—	—	—
	150-200	QNH	—	—	—

Please consult serving utility for their requirements prior to ordering or installing, as specifications and approvals vary by utility, and may require local electrical inspector approval. All installations must be installed by a licensed electrician and must comply with all national and local codes, laws and regulations. Milbank reserves the right to make changes in specifications and features shown without notice or obligation.

