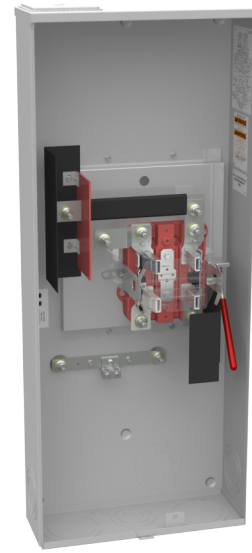




MILBANK
ENERGY AT WORK

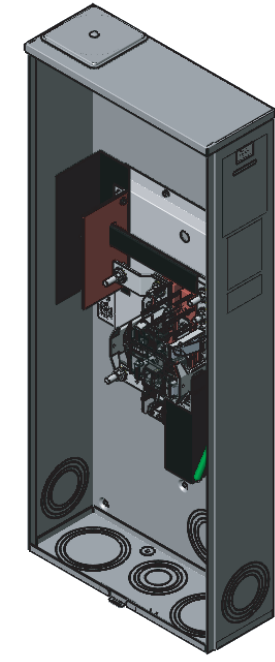
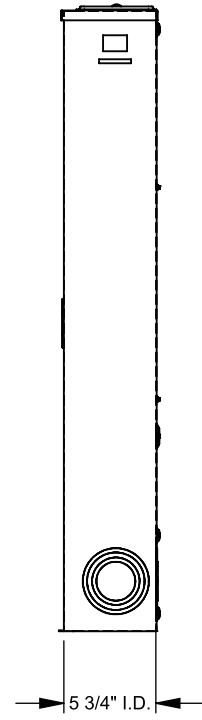
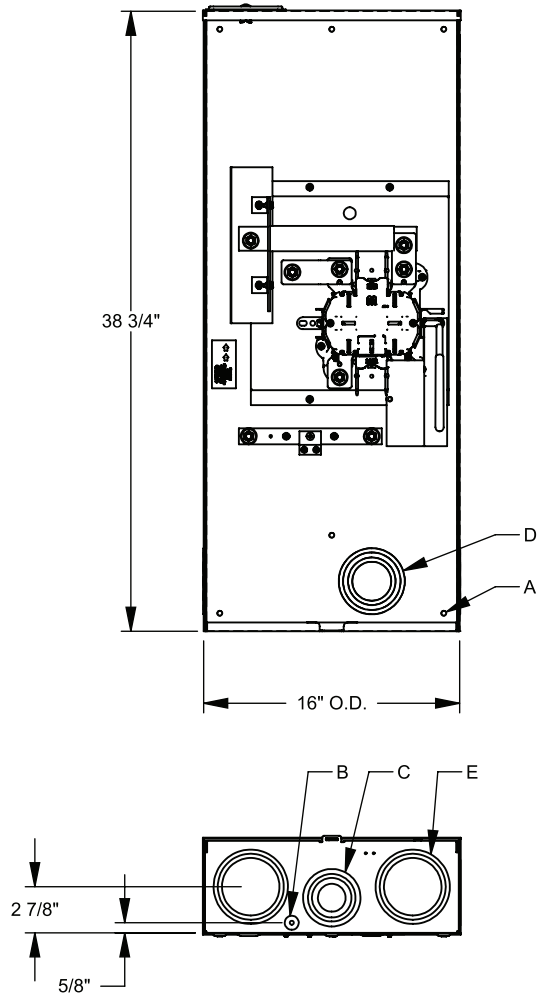
U4905-X-BLG



Catalog Number	U4905-X-BLG	Mounting	Surface Mount
Marketing Product Description	4 Terminal Ringless Large Closing Plate Lever Bypass 7-8 In Barrel Lock Ground With Bracket Provision	Enclosure	G90 Galvanized Steel with Powder Coat Finish
UPC	784572709171	Jaw Quantity	4 Terminal
Length (IN)	5.75	Bypass Type	Lever Bypass
Width (IN)	16	Number of Meter Positions	1 Position
Height (IN)	38.75	Equipment Ground	2 Barrel Ground Lug
Brand Name	Milbank	Hub Opening	Large Closing Plate
Type	Ringless Meter Socket	Number of Receptacles	0
Application	Meter Socket	Barrel Lock Provision	7/8 Inch Knockout and Angle Bracket For Barrel Lock Provision
Standard	UL Listed;Type 3R		
Voltage Rating	600 Volts Alternating Current		
Amperage Rating	320 Continuous Ampere		
Phase	1 Phase		
Frequency Rating	60 Hertz		
Size	5.75L x 16W x 38.75H		
Number Of Cutouts	0		
Cutout Size	No Main Breaker		
Cable Entry	Overhead and Underground and Side Wireway		
Terminal	3/8 Inch Stud		
Insulation	Glass Polyester		

Please consult serving utility for their requirements prior to ordering or installing, as specifications and approvals vary by utility and may require local electrical inspector approval. All installations must be installed by a licensed electrician and must comply with all national and local codes, laws and regulations. Milbank reserves the right to make changes in specifications and features shown without notice or obligation.

FEATURE TABLE		
ITEM	QTY	DESCRIPTION
A	6	U/L MNTG.EMBOSS
B	1	¼, ½ CONC. K.O.
C	1	2, 2½, 3 CONC. K.O.
D	3	2½, 3, 3½ CONC. K.O.
E	2	3, 3½, 4 CONC. K.O.



Version:

1

All dimensions are +/- 1/16".
Drawing views are not to scale.

Please consult serving utility for their requirements prior to ordering or installing, as specifications and approvals vary by utility, and may require local electrical inspector approval. All installations must be installed by a licensed electrician and must comply with all national and local codes, laws and regulations. Milbank reserves the right to make changes in specifications and features shown without notice or obligation.