



Meter Main with Emergency Disconnect

UL Listed | 100-200 Amps

As NEC 2020 starts to be adopted across the country, single position residential meter sockets will need an emergency disconnect. Milbank's U6281 series meter mains are compliant with NEC 2020 sections 230.85 emergency disconnect requirement and 230.62 enclosed or guarded service equipment requirement and could serve as the right solution for your project.

Note: meter mains do not require a load center to be compliant with NEC 2020. Always check with your local utility to see what products are approved in your area. Milbank is working hard on solutions to ensure our products meet NEC 2020 requirements. If you're looking for a product or have questions, contact your local rep.



U6281



Insulator

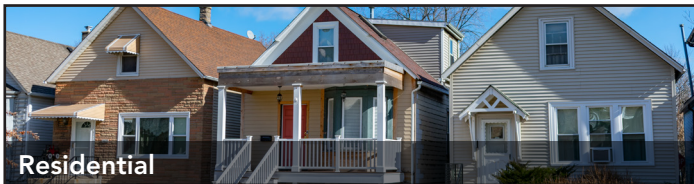


Breaker with insulator in place

Features

- 100-200 Amps
- Extra branch circuits
- Feed-through lugs
- Interlock kits available for generator backup power
 - K5815: Large frame main & small frame generator breaker
- Lever bypass
- Overhead/underground feed
- G90 galvanized steel with powder coat finish
- Single phase
- NEMA 3R enclosure
- UL listed
- Manufactured in the USA

The U6281 can be used for both residential and commercial applications.



Residential



Commercial

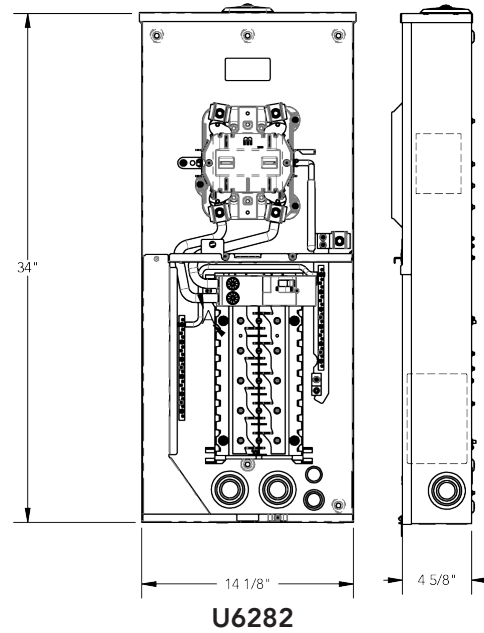
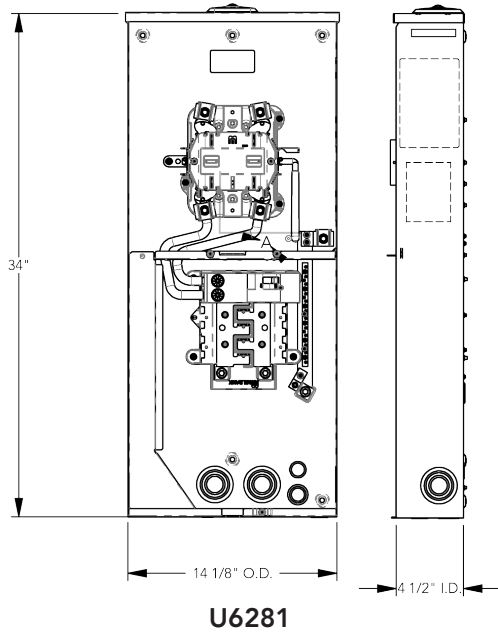
Please consult serving utility for their requirements prior to ordering or installing, as specifications and approvals vary by utility, and may require local electrical inspector approval. All installations must be installed by a licensed electrician and must comply with all national and local codes, laws and regulations. Milbank reserves the right to make changes in specifications and features shown without notice or obligation.





Meter Main with Emergency Disconnect

UL Listed | 100-200 Amps



100-200 Amps | 5 Terminals | Lever Bypass | Ringless | 1Ø3W

Catalog Number	Circuits	Amps	Service	Hub	Line/Load Wire Range		Dimensions			Knockouts					
					CU	AL	D"	W"	H"	1	2	3	4	5	6
U6281-XL-100-5T9	10	100	OH/UG	C.P.	#6-350	CB	4½	14⅞	34	3	2½	2	1	½,¾	¼,½
U6281-XL-150-5T9	8	150	OH/UG	C.P.	#6-350	CB	4½	14⅞	34	3	2½	2	1	½,¾	¼,½
U6281-XL-200-5T9	8	200	OH/UG	C.P.	#6-350	CB	4½	14⅞	34	3	2½	2	1	½,¾	¼,½
U6282-XL-200-5T9	20	200	OH/UG	C.P.	#6-350	CB	4⅝	14⅞	34	3	2½	2	1	½,¾	¼,½

Consult your local utility for approved products in your area.

Notes

- **Breakers:** Rated 22K AIC with Milbank **QN2200RH** main installed.
- **Interlock Kit:** For generator auxiliary circuit breaker interlock, order **K5815** for large **QN** with small frame **Q**; order **K5820** for large frame **QN** with large frame **QN**; order **K5830** for small frame **Q** to small frame **Q**.
- **Sub Feed Lugs:** #6-350 sub feed lugs provided on 8 circuit interior. Not available on 20 circuit interior. For sub feed lug kit, add suffix **-MLK**.
- **-5T9:** This suffix indicates the product has a fifth terminal installed in the 9 o'clock position.

*Milbank meter mains accept breakers from multiple manufacturers.
You will not be limited to one brand.*

Please consult serving utility for their requirements prior to ordering or installing, as specifications and approvals vary by utility, and may require local electrical inspector approval. All installations must be installed by a licensed electrician and must comply with all national and local codes, laws and regulations. Milbank reserves the right to make changes in specifications and features shown without notice or obligation.

