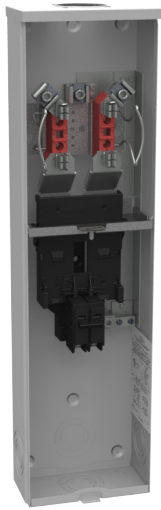


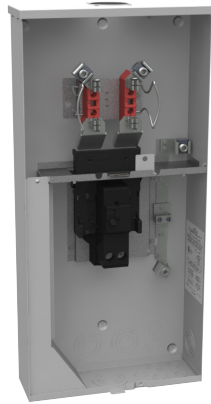


Milbank Meter Mains Compliant with NEC 2020

100-200 Amps | 4-5 Terminals | Ringless



U5842*



U5844*



U5168*



U6281

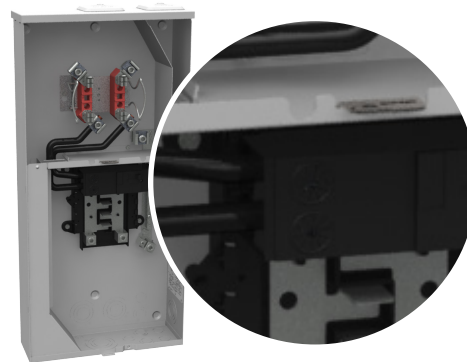


U5882

As NEC 2020 starts to be adopted across the country, single- and two-position residential meter sockets will need an emergency disconnect. Milbank offers multiple meter mains that can serve as the right solution for your project. Several meter mains are shown here that meet NEC 2020 sections 230.62 enclosed or guarded service equipment requirement and 230.85 emergency disconnect requirement.

If you're looking for a product or have questions, contact your local rep or Milbank technical support. Be sure to check with your local utilities for Milbank meter mains approved in your area.

Service Equipment Guards



Insulator compliant with NEC 230.62

Example of insulator available on the 200 Amps U5168 product line, insulators on other meter mains could be different.

*Available in ring type

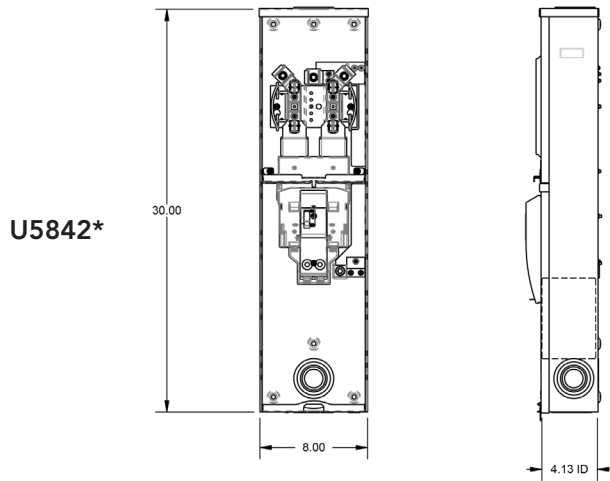
Please consult serving utility for their requirements prior to ordering or installing, as specifications and approvals vary by utility, and may require local electrical inspector approval. All installations must be installed by a licensed electrician and must comply with all national and local codes, laws and regulations. Milbank reserves the right to make changes in specifications and features shown without notice or obligation.



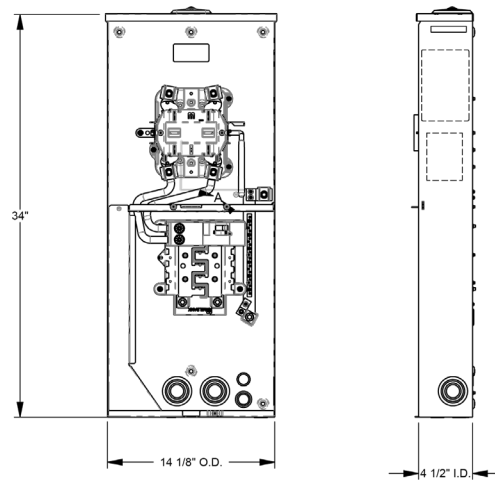


Milbank Meter Mains Compliant with NEC 2020

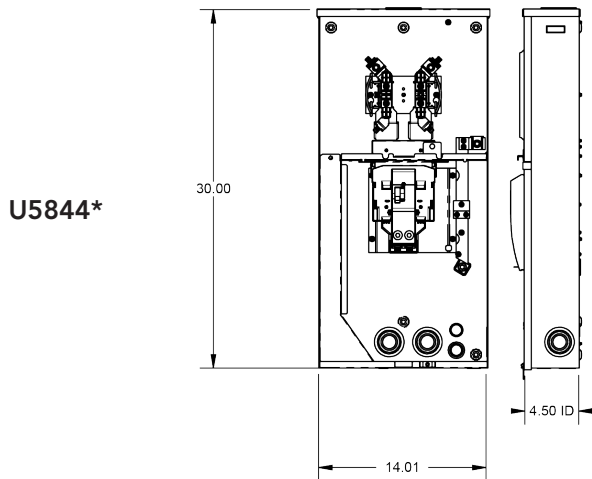
100-200 Amps | 4-5 Terminals | Ringless



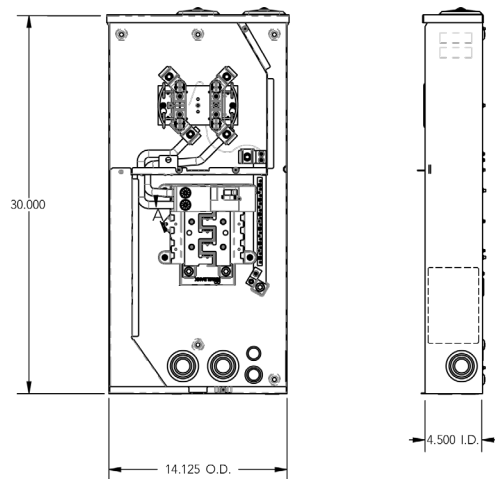
U5842*



U6281



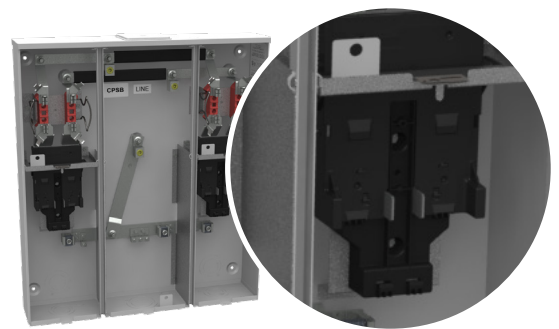
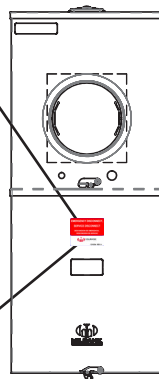
U5844*



U5168*

*Available in ring type

Label compliant with NEC 230.85



Aluminum bus compliant with NEC 230.62

Local authorities approve installations and determine if products are NEC 2020 compliant based on local regulations and interpretations. Always check with local inspectors and utilities to ensure a product is approved in your area.

Please consult serving utility for their requirements prior to ordering or installing, as specifications and approvals vary by utility, and may require local electrical inspector approval. All installations must be installed by a licensed electrician and must comply with all national and local codes, laws and regulations. Milbank reserves the right to make changes in specifications and features shown without notice or obligation.

