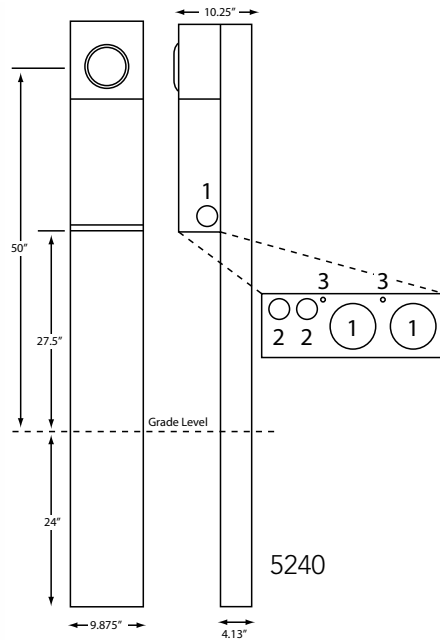


# Versa-Ped Service Pedestals

## U5240 & U5241 Series Ring Type Meter



U5240-O-200S



| Knockouts |          |     |
|-----------|----------|-----|
| 1         | 2        | 3   |
| 2         | 1/2, 3/4 | 1/4 |

### Specifications & Features

- UL listed
- 200 amp maximum, 120/240 volt, single phase, three wire meter socket
- Ring type meter socket with horn bypass and stainless steel latch
- Short circuit withstand rating of 22K AIC
- Type 3R construction for durable outdoor use, one piece post — lockable and sealable
- Milbank grey polyester powder coat finish
- Wire terminations accept copper or aluminum conductors
- Line & neutral: (2) #6-350 kcmil per phase
- Line ground: (4) #14-1/0
- Load (CB): 2/0-300 kcmil per pole
- Load neutral: (1) #6-350 kcmil
- Load ground: (2) #14-1/0, (4) #14/6
- Milbank plug-in main circuit breaker: available in 100, 125, 150 & 200 amp, type UQFPH-M
- Four-circuit plated copper branch circuit interior accepts (2) 2-pole or (4) 1-pole standard plug-in type circuit breakers up to a total of 125 amps maximum. Acceptable manufacturers: Cutler-Hammer, GE, Siemens, or Square D Homeline.
- Factory or field installable receptacle bridge and receptacle / circuit breaker kits available. See accessories.

Please consult serving utility for their requirements prior to ordering or installing, as specifications and approvals vary by utility, and may require local electrical inspector approval. All installations must be installed by a licensed electrician and must comply with all national and local codes, laws and regulations. Milbank reserves the right to make changes in specifications and features shown without notice or obligation.



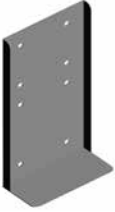
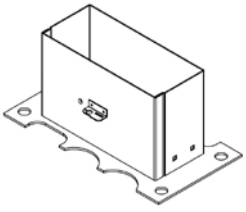

## 200 amp | 4 Terminal | Meter Main Pedestal | Ringless

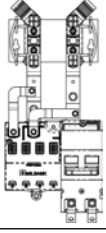
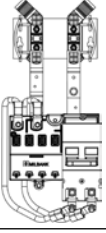
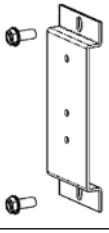
| Catalog Number | Mounting      | Meter Positions | Main CB | Circuits | Connectors CU/AL |      | Dimensions |    |    |
|----------------|---------------|-----------------|---------|----------|------------------|------|------------|----|----|
|                |               |                 |         |          | Line             | Load | D"         | W" | H" |
| U5240-O-100S   | Direct Burial | Single          | 100     | 4        | #6-350           | CB   | 10¼        | 10 | 80 |
| U5240-O-200S   | Direct Burial | Single          | 200     | 4        | #6-350           | CB   | 10¼        | 10 | 80 |
| U5240-O        | Direct Burial | Single          | —       | 4        | #6-350           | CB   | 10¼        | 10 | 80 |
| U5242-O-200S   | Pad Mount     | Single          | 100     | 4        | #6-350           | CB   | 10¼        | 10 | 56 |
| U5242-O        | Pad Mount     | Single          | —       | 4        | #6-350           | CB   | 10¼        | 10 | 56 |
| U5241-O-100S   | Direct Burial | Double          | 100     | 4        | #6-350           | CB   | 16         | 10 | 80 |
| U5241-O-200S   | Direct Burial | Double          | 200     | 4        | #6-350           | CB   | 16         | 10 | 80 |
| U5241-O        | Direct Burial | Double          | 200     | 4        | #6-350           | CB   | 16         | 10 | 80 |
| U5243-O        | Pad Mount     | Double          | —       | 4        | #6-350           | CB   | 16         | 10 | 56 |

### Notes

- **Parallel to Series Conversion:** For field converting from parallel wired to series wired order **K5194**.
- **Fifth Terminal:** For field installed fifth terminal, order **K5T**.
- **Stabilizer Foot:** For field installed stabilizer foot, order **K5415**.
- **Penta Bolt Locking:** For field installed pedestal fronts penta bolt locking, order **K5039**.
- **Receptacles:** Consult factory for installed receptacle assemblies.

### Accessories

|  |  |  |
|--|--|--|
|  |  |  |
| <b>K5415</b>   | <b>K5035</b>   | <b>K5T</b>   |
| Stabilizer foot with hardware (recommended for double pedestals)                   | Pad mount kit with hardware; required for U5138/U5139 pad mount pedestals          | Fifth terminal kit for 208y/120 volt 3-wire service                                |

|   |   |  |
|---|---|--|
|  |  |  |
| <b>K5193</b>  | <b>K5194</b>  | <b>K3450</b>   |
| Bus kit to convert series-wired main breaker to parallel                            | Bus kit to convert parallel-wired main breaker to series                            | Telephone/CATV mounting bracket (mounts left or right)                               |

Please consult serving utility for their requirements prior to ordering or installing, as specifications and approvals vary by utility, and may require local electrical inspector approval. All installations must be installed by a licensed electrician and must comply with all national and local codes, laws and regulations. Milbank reserves the right to make changes in specifications and features shown without notice or obligation.

