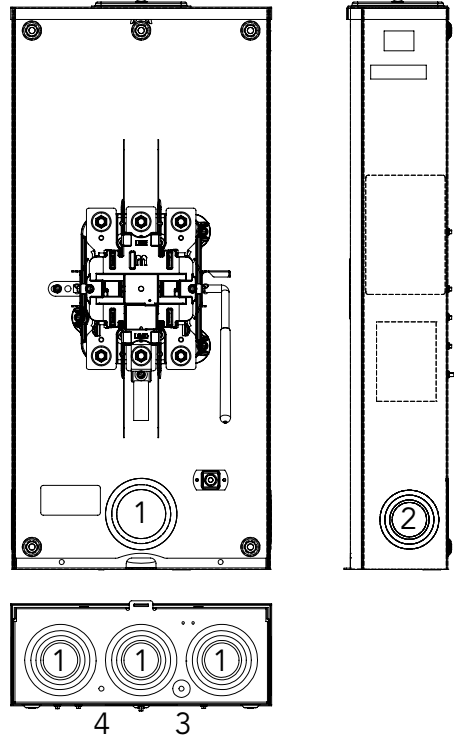


U9865-RXL-2/K1-ALT

200 Amp | 4 Terminal | Ringless | Alliant Approved



U9865-RXL-2/K1-ALT



200 Amp | 4 Terminal | Meter Main Pedestal | Ringless

Catalog Number	Service	Bypass	Connectors CU/AL		Dimensions			Knockouts			
			Line	Load	D"	W"	H"	1	2	3	4
U9865-RXL-2/K1-ALT	OH/UG	Lever	#6-350 kcmil	#6-350 kcmil	4 ^{27/32}	13	28 ^{1/4}	3	2 ^{1/2}	1/4, 1/2	1/4

Specifications & Features

- UL listed
- Lever supplies clamping action on meter spades and also operates bypass device
- Installed lugs on line and load sides, #6-350 kcmil.
- For field-installed fifth terminal, order catalog number **K3866**.
- 200 amp maximum, 600 volt, single phase, three wire, ringless meter socket
- Type 3R construction for durable outdoor use — lockable and sealable
- Milbank grey polyester powder coat finish
- Wire terminations accept copper or aluminum conductors
- Line & neutral: (2) #6-350 kcmil per phase
- Line ground: (4) #14-1/0



Please consult serving utility for their requirements prior to ordering or installing, as specifications and approvals vary by utility, and may require local electrical inspector approval. All installations must be installed by a licensed electrician and must comply with all national and local codes, laws and regulations. Milbank reserves the right to make changes in specifications and features shown without notice or obligation.

