

**MILBANK**<sup>®</sup>  
ENERGY AT WORK



# NEMA Commercial Enclosures

*Product Catalog*



# Milbank Overview

*Energy At Work since 1927*

Milbank designs and manufactures electrical solutions that move and manage power for the residential, commercial, industrial, utility and transportation sectors. With more than 90 years of expertise in electrical engineering design and manufacturing, Milbank's portfolio includes metering equipment, enclosures and enclosed controls. Founded in 1927, Milbank is a family-owned, American manufacturer headquartered in Kansas City, Mo. For more information, please visit [milbankworks.com](http://milbankworks.com).



## METERING

As a market leader in electrical metering equipment, Milbank has set the standard for quality since 1927. Hundreds of configurations are available, including many sizes, knockout configurations, Terminals configurations, bypass options, hubs, locks and connectors. Milbank has the socket you need with thousands of active products to meet your utility's requirements.



## ENCLOSURES

Milbank's line of enclosures include commercial junction boxes, panel mount enclosures, transformer cabinets, wireway and troughs. Built with high-quality craftsmanship and materials which meet or exceed industry standards, Milbank enclosures are made to protect controls and equipment from dust, dirt and other harmful elements found in a wide variety of environments based on various NEMA ratings Milbank offers.



## ENCLOSED CONTROLS

Milbank doesn't just build empty enclosures. We can deliver the entire package, complete with custom control equipment built to your exact specifications by our engineers. Milbank enclosed controls are an attractive, secure, easy-to-install and cost-effective solution when underground remote site power distribution and control equipment is required, replacing unsightly and inefficient strut and backboard structures.



Please consult serving utility for their requirements prior to ordering or installing, as specifications and approvals vary by utility, and may require local electrical inspector approval. All installations must be installed by a licensed electrician and must comply with all national and local codes, laws and regulations. Milbank reserves the right to make changes in specifications and features shown without notice or obligation.

## Commercial Enclosures

---

Environmental ratings & protection grades .....	4-7
Type 1 junction boxes.....	8-14
Type 1 panel enclosures .....	15-16
Type 3R junction boxes.....	17-21
Type 3R hinge cover telephone cabinets.....	22-23
Type 3R current transformer cabinets .....	24
Type 1, 3 & 12 gasketed screw cover junction boxes.....	25
Type 1 telephone cabinet covers.....	26-27
FLC blank covers.....	28
Back panels.....	29-30
Type 1 wireway.....	31-37
Type 3R wiring trough .....	38-41
Wireway fittings.....	42-47
Hole seals.....	48
Accessories .....	49-50
Type 12 junction enclosures .....	51-53
Type 4 & 4X junction enclosures.....	54-57
Type 4 & 4X hinge cover enclosures.....	58-59

## Miscellaneous

---

Enclosed controls.....	60-69
Index.....	70-75

Please consult serving utility for their requirements prior to ordering or installing, as specifications and approvals vary by utility, and may require local electrical inspector approval. All installations must be installed by a licensed electrician and must comply with all national and local codes, laws and regulations. Milbank reserves the right to make changes in specifications and features shown without notice or obligation.



**Note:** The specifications on this page are for comparative reference only and are not intended to provide the complete requirements or test qualifications published by various associations and agencies. Complete information may be obtained by contacting the appropriate organization.

Type	National Electrical Manufacturers Association (NEMA Standard 250)	Underwriters Laboratories (UL 50)	Canadian Standards Association (C22.2, #14, 40, and 94)
1	Enclosures constructed for indoor use to provide a degree of protection to personnel against incidental contact with the enclosed equipment and to provide a degree of protection against falling dirt.	Indoor use primarily to provide a degree of protection against limited amount of falling dirt.	General purpose enclosure in ordinary locations.
2	Enclosures constructed for indoor use to provide a degree of protection to personnel against incidental contact with the enclosed equipment, to provide a degree of protection against falling dirt and to provide a degree of protection against dripping and light splashing of liquids.	Indoor use primarily to provide a degree of protection against limited amounts of falling water and dirt.	Enclosure for indoor use, constructed to provide a degree of protection against dripping and light splashing of noncorrosive liquids and falling dirt.
3	Enclosures constructed for either indoor or outdoor use to provide a degree of protection to personnel against incidental contact with enclosed equipment, to provide a degree of protection against falling dirt, rain, sleet, snow and windblown dust and that will be undamaged by the external formation of ice on the enclosure.	Outdoor use primarily to provide a degree of protection against rain, sleet, windblown dust and damage from external ice formation.	Enclosure for either indoor or outdoor use, constructed so as to provide a degree of protection against rain, snow and windblown dust; undamaged by the external formation of ice on the enclosure.
3R	Enclosures constructed for either indoor or outdoor use to provide a degree of protection to personnel against incidental contact with enclosed equipment, to provide a degree of protection against falling dirt, rain, sleet and snow and that will be undamaged by the external formation of ice on the enclosure.	Outdoor use primarily to provide a degree of protection against rain, sleet and damage from external ice formation.	Enclosure for either indoor or outdoor use, constructed so as to provide a degree of protection against rain and snow; undamaged by the external formation of ice on the enclosure.
4	Enclosures constructed for either indoor or outdoor use to provide a degree of protection to personnel against incidental contact with the enclosed equipment, to provide a degree of protection against falling dirt, rain, sleet, snow, windblown dust and splashing water and that will be undamaged by the external formation of ice on the enclosure.	Indoor or outdoor use primarily to provide a degree of protection against windblown dust, rain, splashing water, hose-directed water and damage from external ice formation.	Enclosure for indoor or outdoor use, constructed to provide a degree of protection against rain, snow, windblown dust, splashing and hose-directed water; undamaged by the external formation of ice on the enclosure.
4X	Enclosures constructed for either indoor or outdoor use to provide a degree of protection to personnel against incidental contact with the enclosed equipment; to provide a degree of protection against falling dirt, rain, sleet, snow, windblown dust, splashing water, hose-directed water and corrosion; will be undamaged by the external formation of ice on the enclosure.	Indoor or outdoor use primarily to provide a degree of protection against corrosion, windblown dust and rain, splashing water, hose-directed water and damage from external ice formation.	Enclosure for either indoor or outdoor use, constructed so as to provide a degree of protection against rain, snow, windblown dust, splashing and hose-directed water; undamaged by the external formation of ice on the enclosure; resists corrosion.
12	Enclosures constructed (without knockouts) for indoor use to provide a degree of protection to personnel against incidental contact with the enclosed equipment. Provides a degree of protection against falling dirt; against circulating dust, lint, fibers and flyings; and against dripping and light splashing of liquids.	Indoor use primarily to provide a degree of protection against circulating dust, falling dirt and dripping noncorrosive liquids.	Enclosure for indoor use, constructed so as to provide a degree of protection against circulating and settling dust, lint, fibers and flyings; dripping and light splashing of noncorrosive liquids; no knockouts provided.
13	Enclosures constructed for indoor use to provide a degree of protection to personnel against incidental contact with the enclosed equipment; to provide a degree of protection against falling dirt; against circulating dust, lint, fibers and flyings; and against the spraying, splashing, and seepage of water, oil and noncorrosive coolants.	Indoor use primarily to provide a degree of protection against dust, spraying of water, oil and noncorrosive coolant.	Enclosure for indoor use, constructed so as to provide a degree of protection against circulating and settling dust, lint, fibers, and flyings; seepage and spraying of noncorrosive liquids including oils and coolants.



Please consult serving utility for their requirements prior to ordering or installing, as specifications and approvals vary by utility, and may require local electrical inspector approval. All installations must be installed by a licensed electrician and must comply with all national and local codes, laws and regulations. Milbank reserves the right to make changes in specifications and features shown without notice or obligation.

# Definitions of Protection Grades

## IEC 529

IEC publication 529, Classification of Degrees of Protection Provided by Enclosures, provides a system for specifying electrical equipment for enclosures on the basis of degree of protection provided by the enclosure. IEC 529 does not specify degrees of protection against mechanical damage of equipment, risk of explosions or conditions such as moisture (produced, for example, by condensation), corrosive vapors, fungus or vermin. NEMA Standards Publication 250 does test for environmental conditions such as corrosion, rust, icing, oil and coolants. For this reason, and because the tests and evaluations for other characteristics are not identical, the IEC Enclosure Classification Designations cannot be exactly equated with NEMA Enclosure Type Numbers.

The IEC designation consists of the letters IP followed by two numerals. The first characteristic numeral indicates the degree of protection provided by the enclosure with respect to persons and solid foreign objects entering the enclosure. The second characteristic numeral indicates the degree of protection provided by the enclosure with respect to the harmful ingress of water.

The IEC has established an enclosure grading system that produces an IP rating. (For example, IP 54. The first character is 5 - refer to Table I on this page. The second character is 4 - refer to Table II on the following page).

*The following is provided for information only.*

**Table I: Degrees of Protection against Hazardous Parts**

Degree of protection is indicated by the first characteristic numeral

First Characteristic Numeral	Protection of Persons	Protection of Equipment
0	Nonprotected	Nonprotected
1	Protected against access to hazardous parts with the back of a hand.	Protected against objects of 50mm diameter and greater.
2	Protected against access to hazardous parts with a finger.	Protected against objects of 12.5mm diameter and greater.
3	Protected against access to hazardous parts with a tool of 2.5mm in diameter and greater.	Protected against objects of 2.5mm diameter and greater.
4	Protected against access to hazardous parts with a wire of 1.0mm in diameter and greater.	Protected against objects of 1.0mm diameter and greater.
5	Protected against access to hazardous parts with a wire of 1.0mm in diameter and greater.	Protected against dust. Ingress of dust is not totally prevented, but dust shall not penetrate in a quantity to interfere with satisfactory operation of the apparatus or to impair safety.
6	Protected against access to hazardous parts with a wire of 1.0mm in diameter and greater.	Protected against dust. No ingress of dust.

**Note:** In the case of the first characteristic, numerals 3, 4, 5 and 6, protection against access to hazardous part is satisfied if adequate clearance is kept. The full diameter of the object probe shall not pass through an opening of the enclosure.

Please consult serving utility for their requirements prior to ordering or installing, as specifications and approvals vary by utility, and may require local electrical inspector approval. All installations must be installed by a licensed electrician and must comply with all national and local codes, laws and regulations. Milbank reserves the right to make changes in specifications and features shown without notice or obligation.



**Table II: Degrees of Protection against Water**

Degree of protection is indicated by the second characteristic numeral

Second Characteristic Numeral	Description	Definition
0	Nonprotected	
1	Protected against vertically falling water drops	Vertically falling drops shall have no harmful effects.
2	Protected against vertically falling water drops when enclosure tilted up to 15 degrees	Vertically falling drops shall have no harmful effects when the enclosure is tilted at any angle up to 15° on either side of the vertical.
3	Protected against spraying water.	Water sprayed at any angle up to 60° on either side of the vertical shall have no harmful effects.
4	Protected against splashing water	Water splashed against the enclosure from any direction shall have no harmful effects.
5	Protected against water jets	Water projected in jets against the enclosure from any direction shall have no harmful effects.
6	Protected against powerful water jets	Water projected in powerful jets against the enclosure from any direction shall have no harmful effects.
7	Protected against the effects of temporary immersion in water.	Ingress of water in quantities causing harmful effects shall not be possible when the enclosure is temporarily immersed in water under standardized conditions of pressure and time.
8	Protected against the effects of continuous immersion in water.	Ingress of water in quantities causing harmful effects shall not be possible when the enclosure is continuously immersed in water under conditions which shall be agreed between manufacturer and user but which are more severe than for numeral 7.

**NEMA TO IEC Enclosure Rating Cross-Reference<sup>1</sup>**

NEMA Type	IP23	IP30	IP32	IP55	IP64	IP65	IP66	IP67
1	x							
2		x						
3					x			
3R			x					
4							x	
4X							x	
6								x
12				x				
13						x		

<sup>1</sup>This cross reference is an approximation of NEMA and IEC classifications for reference only. Please consult the appropriate JIC agencies for requirements and test qualifications for complete information.

**Purge/Pressurization Systems**

Purge/pressurization systems allow the use of general-purpose enclosures in hazardous locations as an alternative to NEMA Type 7 or 9 enclosures or those rated for zone classification. Purge/pressurization accessories are attached to an enclosure to prevent explosions in hazardous locations by purging combustible gases or dust and then maintaining a positive pressure with clean dry air or other inert gas.

**Purged and Pressurized Enclosures**

1. Purged/pressurized enclosures for Class I Hazardous Locations Purging is defined as the process of supplying an enclosure with clean air or an inert gas, at sufficient flow and positive pressure to reduce to an acceptable safe level the concentrations of any flammable gases or vapors initially present, and to maintain this safe level by positive pressure with or without continuous flow.
2. Pressurized enclosures for Class II Hazardous Locations Pressurizing is similar to purging except that pressurizing is used to prevent the entrance of hazardous dusts and cannot be used to clean out dust that already exists inside an enclosure.

Purged or pressurized enclosures are acceptable alternatives for use in hazardous location as permitted by Article 500 of the National Electrical Code and the inspection authority having jurisdiction provided that the requirements and safeguards specified by NFPA 496, "Purged and Pressurized Enclosures for Electrical Equipment in Hazardous Locations" are strictly followed.

Milbank does not supply purged/pressurized enclosures. The above descriptions are provided for information only.



Please consult serving utility for their requirements prior to ordering or installing, as specifications and approvals vary by utility, and may require local electrical inspector approval. All installations must be installed by a licensed electrician and must comply with all national and local codes, laws and regulations. Milbank reserves the right to make changes in specifications and features shown without notice or obligation.

### Modification Services

Milbank offers a series of standard options to complement our wide range of catalog products. These options meet common industry and application requirements and are designed to offer a wide range of flexibility to meet many different needs. By utilizing standard catalog enclosure types and standard accessories or options, you can keep your price and delivery times to a minimum.

#### Wall-Mount Enclosures

- Finish options
- Dimension changes
- Hole and cutout options
- Hinge options
- Studs, nuts and tapped holes
- Subpanel options
- Ventilation options

- Window options
- Floor mounting options
- Assembled accessories
- Disconnect options
- Special latching

#### Large Mild Steel Enclosures

- Finish options
- Dimensional changes
- Hole and cutout options
- Component mounting options
- Subpanel options
- Ventilation options
- Window options
- Floor mounting options
- Hinge options
- Wire management choices
- Structural changes
- Assembled accessories
- Disconnect options
- Special latching

#### Stainless Steel Enclosures

- Type 304 or 316 stainless
- Hole and cutout options

- Studs, nuts and tapped holes
- Subpanel options
- Ventilation options
- Window options
- Mounting options
- Drip shields
- Assembled accessories
- Disconnect options
- Hinge options
- Special latching

#### CAD Drawing Requirements

- Drawings to be AutoCad .DXF or .DWG.
- Provide CAD drawing scaled 1:1 (1" = 1 Drawing Unit / 1mm = 1 Drawing Unit) [Please specify on drawing 'inch' or 'metric' accordingly].
- Provide only pertinent information required to modify the enclosure. Electronic/component

layout drawings not required.

#### Layer Control

- Erase/omit all unnecessary drawing information.
- Turn on/thaw layers in which modifications are necessary (should be only information on drawing).
- Purge all unnecessary blocks/layers/line types/text styles/dimension styles.
- Clearly identify on the drawing, your company name and drawing number.
- Clearly identify revisions

#### Email Drawings

- Clearly state "quote request" or "engineering drawings" in subject line. Provide brief explanation of revision or change if appropriate.

### Minimum Requirements for Engineering/Estimating

1. Clearly specify what you are sending (i.e. order, RFQ, information request, credit information or change).
2. Specify complete customer name, address, city, state, zip.
3. Specify phone and fax number of customer.
4. Specify customer contact.
5. Specify exactly who is to receive a copy of the quote (i.e. customer, rep or both).
6. Specify shipping information.
7. Specify requested ship date. Do not specify ASAP, rush or impossible dates.
8. Indicate on repeat orders when a change is taking place. Follow up with engineering and estimating to verify change.
9. Specify quantities required and indicate if a blanket order will be placed.
10. Specify part number if item is a repeat.
11. When referencing a competitor's part numbers, cross-reference them before submitting RFQ.
12. Clearly describe product including environment (NEMA), type, height, width, depth, number of doors, special construction (i.e. shelves, brackets, etc.). Description of application is helpful.
13. Clearly specify if UL environmental rating labels are required. If so, specify type or indicate "none."
14. Clearly specify paint, paint type, paint color, paint part number, paint manufacturer and any special requirements if other than standard.
15. Specify type of finish for stainless enclosures (i.e. brushed, Scotch Brite). Indicate special requirements if other than standard.
16. Specify material requirements (i.e. stainless, mild steel).
17. Indicate if subpanel is required.
18. When sending drawings, specify clear and complete information.
  - Engineering: specify customer name, job number and revision if applicable.
  - Estimating: specify customer name and reference RFQ or quote number if applicable.
19. Specify any special requirements (i.e. penalty clauses, accessories, mil specs).

Please consult serving utility for their requirements prior to ordering or installing, as specifications and approvals vary by utility, and may require local electrical inspector approval. All installations must be installed by a licensed electrician and must comply with all national and local codes, laws and regulations. Milbank reserves the right to make changes in specifications and features shown without notice or obligation.



**Application**

- Designed for use as a junction or pull box.
- For indoor use to provide protection against contact with enclosed equipment where moisture and dust are not a problem.

**Construction**

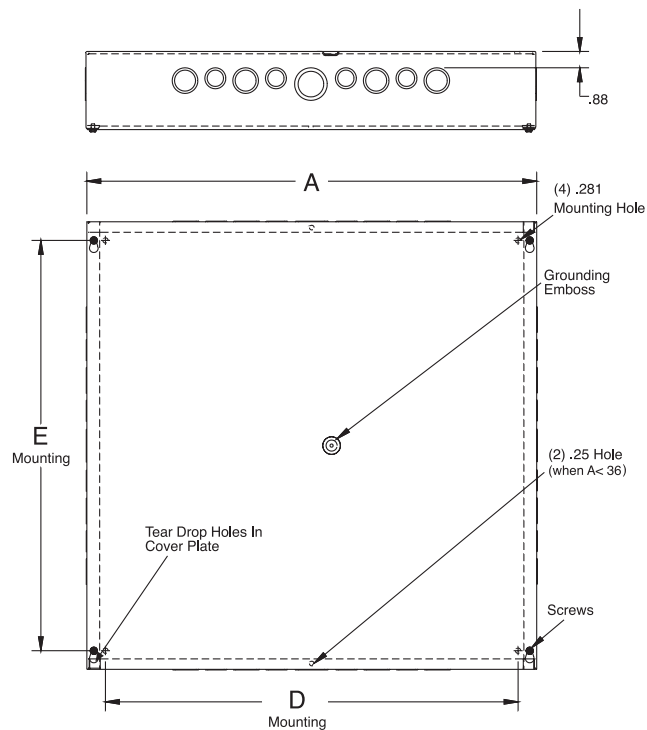
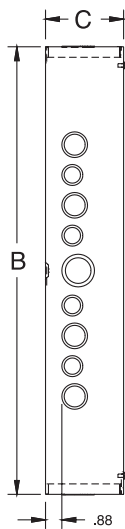
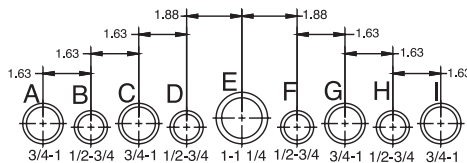
- Enclosure and cover are manufactured from 16-, 14- or 12-gauge steel.
- Available with or without knockouts. Rectangular units have knockouts on all four sides; square units have knockouts on two sides. For no knockouts, refer to suffix **-NK** in catalog number.
- Available with or without paint. For no paint, refer to suffix **-NP** in catalog number. Unpainted enclosures are made from galvanized steel.
- Covers have teardrop slots for easy installation and are attached to body with plated screws.
- Grounding emboss provided with green grounding screw.
- Holes are incorporated into the back of enclosure for mounting.

**Finish**

- ANSI 61 gray polyester powder coating inside and out unless otherwise specified.

**Accessories**

- Replacement covers: see covers, pg. 12.
- Touch-up paint: see Accessories, pg. 50.
- Wood back panels: see Panels, pg. 30.
- Replacement screws: see Accessories, pg. 50.



Please consult serving utility for their requirements prior to ordering or installing, as specifications and approvals vary by utility, and may require local electrical inspector approval. All installations must be installed by a licensed electrician and must comply with all national and local codes, laws and regulations. Milbank reserves the right to make changes in specifications and features shown without notice or obligation.



# Screw Cover Junction Boxes

## Type 1

Catalog Number	Product Family	UPC Number 7-84572-	Weight (lbs)	Carton Quantity	W x H x D	Knockouts	
						A Side	B Side
444-SC1	SC1C	10650	2.2	6	4 x 4 x 4	B-C	None
444-SC1-NK	SC1C	10652	2.2	6	4 x 4 x 4	None	None
444-SC1-NK-NP	SC1C	15483	2.2	6	4 x 4 x 4	None	None
464-SC1	SC1C	10704	2.8	4	4 x 6 x 4	B-C	B-C-D
464-SC1-NK	SC1C	10705	4.5	4	4 x 6 x 4	None	None
464-SC1-NK-NP	SC1C	19632	2.8	4	4 x 6 x 4	None	None
464-SC1-NP	SC1C	31193	2.8	4	4 x 6 x 4	B-C	B-C-D
663-SC1	SC1C	10790	2.9	12	6 x 6 x 3	B-C-D	B-C-D
663-SC1-NK	SC1C	10791	2.9	12	6 x 6 x 3	None	None
663-SC1-NK-NP	SC1C	21830	2.9	12	6 x 6 x 3	None	None
664-SC1	SC1C	10801	3.4	9	6 x 6 x 4	B-C-D	None
664-SC1-NK	SC1C	10803	3.4	9	6 x 6 x 4	None	None
664-SC1-NK-NP	SC1C	10804	3.4	9	6 x 6 x 4	None	None
664-SC1-NP	SC1C	16191	3.4	9	6 x 6 x 4	B-C-D	None
666-SC1	SC1C	10818	4.5	6	6 x 6 x 6	B-C-D	None
666-SC1-NK	SC1C	10819	4.5	6	6 x 6 x 6	None	None
666-SC1-NK-NP	SC1C	15355	4.5	6	6 x 6 x 6	None	None
666-SC1-NP	SC1C	30985	4.5	6	6 x 6 x 6	B-C-D	None
684-SC1	SC1C	10859	4	9	6 x 8 x 4	B-C-D	F-G-H-I
684-SC1-NK	SC1C	10860	4	9	6 x 8 x 4	None	None
684-SC1-NK-NP	SC1C	20886	4	9	6 x 8 x 4	None	None
684-SC1-NP	SC1C	18007	4	9	6 x 8 x 4	B-C-D	F-G-H-I
686-SC1	SC1C	10863	5.2	6	6 x 8 x 6	B-C-D	F-G-H-I
686-SC1-NK	SC1C	10864	5.2	6	6 x 8 x 6	None	None
686-SC1-NK-NP	SC1C	21059	5.2	6	6 x 8 x 6	None	None
686-SC1-NP	SC1C	30159	5.2	6	6 x 8 x 6	B-C-D	F-G-H-I
6124-SC1	SC1C	10764	5.5	6	6 x 12 x 4	B-C-D	C-D-E-F-G
6124-SC1-NK	SC1C	15543	5.5	6	6 x 12 x 4	None	None
6126-SC1	SC1C	10765	7	2	6 x 12 x 6	B-C-D	C-D-E-F-G
6126-SC1-NK	SC1C	17754	7	2	6 x 12 x 6	None	None
884-SC1	SC1C	10938	5	6	8 x 8 x 4	F-G-H-I	None
884-SC1-NK	SC1C	10940	5	6	8 x 8 x 4	None	None
884-SC1-NK-NP	SC1C	15357	5	6	8 x 8 x 4	None	None
886-SC1	SC1C	10955	6.5	4	8 x 8 x 6	F-G-H-I	None
886-SC1-NK	SC1C	10956	6.5	4	8 x 8 x 6	None	None
886-SC1-NK-NP	SC1C	15358	6.5	4	8 x 8 x 6	None	None
886-SC1-NP	SC1C	19650	6.5	4	8 x 8 x 6	F-G-H-I	None
888-SC1	SC1C	10971	7.5	2	8 x 8 x 8	F-G-H-I	None
888-SC1-NK	SC1C	10972	7.5	2	8 x 8 x 8	None	None
888-SC1-NK-NP	SC1C	15509	7.5	2	8 x 8 x 8	None	None
888-SC1-NP	SC1C	32326	7.5	2	8 x 8 x 8	F-G-H-I	None
8104-SC1	SC1C	10879	7	5	8 x 10 x 4	F-G-H-I	F-G-H-I
8104-SC1-NK	SC1C	10880	7	5	8 x 10 x 4	None	None
8104-SC1-NK-NP	SC1C	21057	7	5	8 x 10 x 4	None	None
8104-SC1-NP	SC1C	30485	7	5	8 x 10 x 4	F-G-H-I	F-G-H-I
8106-SC1	SC1C	10885	7.5	4	8 x 10 x 6	F-G-H-I	F-G-H-I
8106-SC1-NK	SC1C	10886	7.5	4	8 x 10 x 6	None	None
8106-SC1-NK-NP	SC1C	24737	7.5	4	8 x 10 x 6	None	None
8106-SC1-NP	SC1C	31005	7.5	4	8 x 10 x 6	F-G-H-I	F-G-H-I
8124-SC1	SC1C	10892	6.7	3	8 x 12 x 4	F-G-H-I	C-D-E-F-G
8124-SC1-NK	SC1C	10893	6.7	3	8 x 12 x 4	None	None
8124-SC1-NK-NP	SC1C	23645	6.7	3	8 x 12 x 4	None	None
8126-SC1	SC1C	10898	8.5	2	8 x 12 x 6	F-G-H-I	C-D-E-F-G
8126-SC1-NK	SC1C	10899	8.5	2	8 x 12 x 6	None	None
8126-SC1-NK-NP	SC1C	21060	8.5	2	8 x 12 x 6	None	None
10104-SC1	SC1C	10017	7	3	10 x 10 x 4	F-G-H-I	None
10104-SC1-NK	SC1C	10018	7	3	10 x 10 x 4	None	None
10104-SC1-NK-NP	SC1C	15344	7	3	10 x 10 x 4	None	None
10104-SC1-NP	SC1C	16190	7	3	10 x 10 x 4	F-G-H-I	None
10106-SC1	SC1C	10030	8.5	2	10 x 10 x 6	C-D-E-F-G	None
10106-SC1-NK	SC1C	10031	8.5	2	10 x 10 x 6	None	None

Please consult serving utility for their requirements prior to ordering or installing, as specifications and approvals vary by utility, and may require local electrical inspector approval. All installations must be installed by a licensed electrician and must comply with all national and local codes, laws and regulations. Milbank reserves the right to make changes in specifications and features shown without notice or obligation.



Catalog Number	Product Family	UPC Number 7-84572-	Weight (lbs)	Carton Quantity	W x H x D	Knockouts	
						A Side	B Side
10106-SC1-NK-NP	SC1C	15456	8.5	2	10 x 10 x 6	None	None
10106-SC1-NP	SC1C	20888	8.5	2	10 x 10 x 6	C-D-E-F-G	None
10124-SC1	SC1C	10065	8	3	10 x 12 x 4	C-D-E-F-G	C-D-E-F-G
10124-SC1-NK	SC1C	10066	8	3	10 x 12 x 4	None	None
10124-SC1-NK-NP	SC1C	15345	8	3	10 x 12 x 4	None	None
10124-SC1-NP	SC1C	31006	8	3	10 x 12 x 4	C-D-E-F-G	C-D-E-F-G
10126-SC1	SC1C	10071	9.5	2	10 x 12 x 6	C-D-E-F-G	C-D-E-F-G
10126-SC1-NK	SC1C	10072	9.5	2	10 x 12 x 6	None	None
10126-SC1-NP	SC1C	32327	9.5	2	10 x 12 x 6	C-D-E-F-G	C-D-E-F-G
12124-SC1	SC1C	10113	9.2	4	12 x 12 x 4	C-D-E-F-G	None
12124-SC1-NK	SC1C	10115	9.2	4	12 x 12 x 4	None	None
12124-SC1-NK-NP	SC1C	10116	9.2	4	12 x 12 x 4	None	None
12124-SC1-NP	SC1C	17591	9.2	4	12 x 12 x 4	C-D-E-F-G	None
12126-SC1	SC1C	10133	11	3	12 x 12 x 6	C-D-E-F-G	None
12126-SC1-NK	SC1C	10135	11	3	12 x 12 x 6	None	None
12126-SC1-NK-NP	SC1C	10136	11	3	12 x 12 x 6	None	None
12126-SC1-NP	SC1C	16189	11	3	12 x 12 x 6	C-D-E-F-G	None
12128-SC1	SC1C	10153	13	2	12 x 12 x 8	C-D-E-F-G	None
12128-SC1-NK	SC1C	10154	13	2	12 x 12 x 8	None	None
12128-SC1-NK-NP	SC1C	15469	13	2	12 x 12 x 8	None	None
12128-SC1-NP	SC1C	20537	13	2	12 x 12 x 8	C-D-E-F-G	None
121212-SC1-NK	SC1C	24378	15.4	1	12 x 12 x 12	None	None
12164-SC1	SC1C	10177	11.3	3	12 x 16 x 4	C-D-E-F-G	B-C-D-E-F-G-H
12164-SC1-NK	SC1C	10178	11.3	3	12 x 16 x 4	None	None
12164-SC1-NK-NP	SC1C	15346	11.3	3	12 x 16 x 4	None	None
12164-SC1-NP	SC1C	32328	11.3	3	12 x 16 x 4	C-D-E-F-G	B-C-D-E-F-G-H
12166-SC1	SC1C	10183	13.5	2	12 x 16 x 6	C-D-E-F-G	B-C-D-E-F-G-H
12166-SC1-NK	SC1C	10184	13.5	2	12 x 16 x 6	None	None
12166-SC1-NK-NP	SC1C	15347	13.5	2	12 x 16 x 6	None	None
12166-SC1-NP	SC1C	30984	13.5	2	12 x 16 x 6	C-D-E-F-G	B-C-D-E-F-G-H
12184-SC1	SC1C	10202	12.7	3	12 x 18 x 4	C-D-E-F-G	A-B-C-D-E-F-G-H-I
12184-SC1-NK	SC1C	10203	12.7	3	12 x 18 x 4	None	None
12184-SC1-NK-NP	SC1C	21058	12.7	3	12 x 18 x 4	None	None
12186-SC1	SC1C	10209	14.5	2	12 x 18 x 6	C-D-E-F-G	A-B-C-D-E-F-G-H-I
12186-SC1-NK	SC1C	10210	14.5	2	12 x 18 x 6	None	None
12186-SC1-NK-NP	SC1C	16421	14.5	2	12 x 18 x 6	None	None
12188-SC1	SC1C	10216	17	1	12 x 18 x 8	C-D-E-F-G	A-B-C-D-E-F-G-H-I
12188-SC1-NK	SC1C	10217	17	1	12 x 18 x 8	None	None
12188-SC1-NK-NP	SC1C	31727	17	1	12 x 18 x 8	None	None
121810-SC1	SC1C	10198	19	1	12 x 18 x 10	C-D-E-F-G	A-B-C-D-E-F-G-H-I
12244-SC1	SC1C	10229	15.8	3	12 x 24 x 4	C-D-E-F-G	A-B-C-D-E-F-G-H-I
12244-SC1-NK	SC1C	15584	15.8	3	12 x 24 x 4	None	None
12246-SC1	SC1C	10232	18.8	2	12 x 24 x 6	C-D-E-F-G	A-B-C-D-E-F-G-H-I
12246-SC1-NK	SC1C	10233	18.8	2	12 x 24 x 6	None	None
12246-SC1-NK-NP	SC1C	23762	18.8	2	12 x 24 x 6	None	None
15186-SC1	SC1C	10265	17.5	2	15 x 18 x 6	B-C-D-E-F-G-H	A-B-C-D-E-F-G-H-I
15186-SC1-NK	SC1C	10266	17.5	2	15 x 18 x 6	None	None
15186-SC1-NK-NP	SC1C	28142	17.5	2	15 x 18 x 6	None	None
16164-SC1	SC1C	10283	14	3	16 x 16 x 4	B-C-D-E-F-G-H	None
16164-SC1-NK	SC1C	10284	14	3	16 x 16 x 4	None	None
16164-SC1-NK-NP	SC1C	25802	14	3	16 x 16 x 4	None	None
16166-SC1	SC1C	10285	16.5	2	16 x 16 x 6	B-C-D-E-F-G-H	None
16166-SC1-NK	SC1C	10286	16.5	2	16 x 16 x 6	None	None
16166-SC1-NK-NP	SC1C	15348	16.5	2	16 x 16 x 6	None	None
16166-SC1-NP	SC1C	30484	16.5	2	16 x 16 x 6	B-C-D-E-F-G-H	None
18184-SC1	SC1C	10300	17	3	18 x 18 x 4	A-B-C-D-E-F-G-H-I	None
18184-SC1-NK	SC1C	10301	17	3	18 x 18 x 4	None	None
18184-SC1-NK-NP	SC1C	10302	17	3	18 x 18 x 4	None	None
18184-SC1-NP	SC1C	20538	17	3	18 x 18 x 4	A-B-C-D-E-F-G-H-I	None
18186-SC1	SC1C	10309	20.5	2	18 x 18 x 6	A-B-C-D-E-F-G-H-I	None
18186-SC1-NK	SC1C	10310	20.5	2	18 x 18 x 6	None	None



Please consult serving utility for their requirements prior to ordering or installing, as specifications and approvals vary by utility, and may require local electrical inspector approval. All installations must be installed by a licensed electrician and must comply with all national and local codes, laws and regulations. Milbank reserves the right to make changes in specifications and features shown without notice or obligation.

# Screw Cover Junction Boxes

1 1

Type 1

Catalog Number	Product Family	UPC Number 7-84572-	Weight (lbs)	Carton Quantity	W x H x D	Knockouts	
						A Side	B Side
18186-SC1-NK-NP	SC1C	10311	20.5	2	18 x 18 x 6	None	None
18186-SC1-NP	SC1C	15955	20.5	2	18 x 18 x 6	A-B-C-D-E-F-G-H-I	None
18188-SC1	SC1C	10319	24	1	18 x 18 x 8	A-B-C-D-E-F-G-H-I	None
18188-SC1-NK	SC1C	10320	24	1	18 x 18 x 8	None	None
18188-SC1-NK-NP	SC1C	15349	24	1	18 x 18 x 8	None	None
18188-SC1-NP	SC1C	20536	24	1	18 x 18 x 8	A-B-C-D-E-F-G-H-I	None
181810-SC1	SC1C	10294	25	1	18 x 18 x 10	A-B-C-D-E-F-G-H-I	None
181810-SC1-NK	SC1C	10295	25	1	18 x 18 x 10	None	None
181810-SC1-NK-NP	SC1C	21064	25	1	18 x 18 x 10	None	None
181812-SC1	SC1C	10298	28	1	18 x 18 x 12	A-B-C-D-E-F-G-H-I	None
181812-SC1-NK	SC1C	10299	28	1	18 x 18 x 12	None	None
181812-SC1-NK-NP	SC1C	24736	28	1	18 x 18 x 12	None	None
18244-SC1	SC1C	10333	23.5	2	18 x 24 x 4	A-B-C-D-E-F-G-H-I	A-B-C-D-E-F-G-H-I
18244-SC1-NK	SC1C	10334	23.5	2	18 x 24 x 4	None	None
18244-SC1-NK-NP	SC1C	32330	23.5	2	18 x 24 x 4	None	None
18246-SC1	SC1C	10338	27	1	18 x 24 x 6	A-B-C-D-E-F-G-H-I	A-B-C-D-E-F-G-H-I
18246-SC1-NK	SC1C	10339	27	1	18 x 24 x 6	None	None
18246-SC1-NK-NP	SC1C	15350	27	1	18 x 24 x 6	None	None
18246-SC1-NP	SC1C	32331	27	1	18 x 24 x 6	A-B-C-D-E-F-G-H-I	A-B-C-D-E-F-G-H-I
18248-SC1	SC1C	10346	30	1	18 x 24 x 8	A-B-C-D-E-F-G-H-I	A-B-C-D-E-F-G-H-I
18248-SC1-NK	SC1C	10347	30	1	18 x 24 x 8	None	None
18248-SC1-NK-NP	SC1C	21063	30	1	18 x 24 x 8	None	None
182410-SC1	SC1C	10330	34	1	18 x 24 x 10	A-B-C-D-E-F-G-H-I	A-B-C-D-E-F-G-H-I
182410-SC1-NK	SC1C	24593	34	1	18 x 24 x 10	None	None
182410-SC1-NK-NP	SC1C	32332	34	1	18 x 24 x 10	None	None
182412-SC1	SC1C	10332	36	1	18 x 24 x 12	A-B-C-D-E-F-G-H-I	A-B-C-D-E-F-G-H-I
182412-SC1-NK	SC1C	20294	36	1	18 x 24 x 12	None	None
182412-SC1-NK-NP	SC1C	24797	36	1	18 x 24 x 12	None	None
24244-SC1	SC1C	10417	30.5	2	24 x 24 x 4	A-B-C-D-E-F-G-H-I	None
24244-SC1-NK	SC1C	10418	30.5	2	24 x 24 x 4	None	None
24244-SC1-NK-NP	SC1C	15473	30.5	2	24 x 24 x 4	None	None
24244-SC1-NP	SC1C	32333	30.5	2	24 x 24 x 4	A-B-C-D-E-F-G-H-I	None
24246-SC1	SC1C	10423	33.5	1	24 x 24 x 6	A-B-C-D-E-F-G-H-I	None
24246-SC1-NK	SC1C	10424	33.5	1	24 x 24 x 6	None	None
24246-SC1-NK-NP	SC1C	15352	33.5	1	24 x 24 x 6	None	None
24246-SC1-NP	SC1C	20539	33.5	1	24 x 24 x 6	A-B-C-D-E-F-G-H-I	None
24248-SC1	SC1C	10434	38	1	24 x 24 x 8	A-B-C-D-E-F-G-H-I	None
24248-SC1-NK	SC1C	10435	38	1	24 x 24 x 8	None	None
24248-SC1-NK-NP	SC1C	10436	38	1	24 x 24 x 8	None	None
242410-SC1	SC1C	10408	41	1	24 x 24 x 10	A-B-C-D-E-F-G-H-I	None
242410-SC1-NK	SC1C	10409	41	1	24 x 24 x 10	None	None
242410-SC1-NK-NP	SC1C	20887	41	1	24 x 24 x 10	None	None
242412-SC1	SC1C	10413	44	1	24 x 24 x 12	A-B-C-D-E-F-G-H-I	None
242412-SC1-NK	SC1C	10414	44	1	24 x 24 x 12	None	None
242412-SC1-NK-NP	SC1C	20648	44	1	24 x 24 x 12	None	None
24308-SC1	SC1C	10460	45	1	24 x 30 x 8	A-B-C-D-E-F-G-H-I	A-B-C-D-E-F-G-H-I
24308-SC1-NK	SC1C	10461	45	1	24 x 30 x 8	None	None
24308-SC1-NK-NP	SC1C	32334	45	1	24 x 30 x 8	None	None
243010-SC1	SC1C	10447	50	1	24 x 30 x 10	A-B-C-D-E-F-G-H-I	A-B-C-D-E-F-G-H-I
243010-SC1-NK	SC1C	10448	50	1	24 x 30 x 10	None	None
243010-SC1-NK-NP	SC1C	21065	50	1	24 x 30 x 10	None	None
243012-SC1	SC1C	10450	54	1	24 x 30 x 12	A-B-C-D-E-F-G-H-I	A-B-C-D-E-F-G-H-I
243012-SC1-NK-NP	SC1C	21067	54	1	24 x 30 x 12	None	None
24366-SC1	SC1C	10479	54	1	24 x 36 x 6	A-B-C-D-E-F-G-H-I	A-B-C-D-E-F-G-H-I
24366-SC1-NK	SC1C	10480	54	1	24 x 36 x 6	None	None
24366-SC1-NK-NP	SC1C	32335	54	1	24 x 36 x 6	None	None
24366-SC1-NP	SC1C	32336	54	1	24 x 36 x 6	A-B-C-D-E-F-G-H-I	A-B-C-D-E-F-G-H-I
24368-SC1	SC1C	10485	59	1	24 x 36 x 8	A-B-C-D-E-F-G-H-I	A-B-C-D-E-F-G-H-I
24368-SC1-NK	SC1C	10486	59	1	24 x 36 x 8	None	None
24368-SC1-NK-NP	SC1C	10487	59	1	24 x 36 x 8	None	None
243610-SC1	SC1C	10470	77	1	24 x 36 x 10	A-B-C-D-E-F-G-H-I	A-B-C-D-E-F-G-H-I

Please consult serving utility for their requirements prior to ordering or installing, as specifications and approvals vary by utility, and may require local electrical inspector approval. All installations must be installed by a licensed electrician and must comply with all national and local codes, laws and regulations. Milbank reserves the right to make changes in specifications and features shown without notice or obligation.



Catalog Number	Product Family	UPC Number 7-84572-	Weight (lbs)	Carton Quantity	W x H x D	Knockouts	
						A Side	B Side
243610-SC1-NK	SC1C	24105	77	1	24 x 36 x 10	None	None
243612-SC1	SC1C	10471	83	1	24 x 36 x 12	A-B-C-D-E-F-G-H-I	A-B-C-D-E-F-G-H-I
243612-SC1-NK	SC1C	19903	83	1	24 x 36 x 12	None	None
243612-SC1-NK-NP	SC1C	10472	83	1	24 x 36 x 12	None	None
30306-SC1-NK	SC1C	10521	66	1	30 x 30 x 6	None	None
30306-SC1-NK-NP	SC1C	15475	66	1	30 x 30 x 6	None	None
30308-SC1-NK	SC1C	10528	76	1	30 x 30 x 8	None	None
30308-SC1-NK-NP	SC1C	24913	76	1	30 x 30 x 8	None	None
303010-SC1-NK	SC1C	10508	81	1	30 x 30 x 10	None	None
303010-SC1-NK-NP	SC1C	21066	81	1	30 x 30 x 10	None	None
303012-SC1-NK	SC1C	10511	95	1	30 x 30 x 12	None	None
303012-SC1-NK-NP	SC1C	21068	95	1	30 x 30 x 12	None	None
30366-SC1-NK	SC1C	10543	87	1	30 x 36 x 6	None	None
30366-SC1-NK-NP	SC1C	32337	87	1	30 x 36 x 6	None	None
30368-SC1-NK	SC1C	23846	95	1	30 x 36 x 8	None	None
30368-SC1-NK-NP	SC1C	16466	95	1	30 x 36 x 8	None	None
303610-SC1-NK-NP	SC1C	32338	103	1	30 x 36 x 10	None	None
303612-SC1-NK	SC1C	17923	111	1	30 x 36 x 12	None	None
303612-SC1-NK-NP	SC1C	32339	111	1	30 x 36 x 12	None	None
36364-SC1-NK	SC1C	10591	105	1	36 x 36 x 4	None	None
36366-SC1-NK	SC1C	10596	115	1	36 x 36 x 6	None	None
36366-SC1-NK-NP	SC1C	15477	115	1	36 x 36 x 6	None	None
36368-SC1	SC1C	24886	124	1	36 x 36 x 8	None	None
36368-SC1-NK	SC1C	10601	124	1	36 x 36 x 8	None	None
36368-SC1-NK-NP	SC1C	15353	124	1	36 x 36 x 8	None	None
363610-SC1-NK	SC1C	10584	134	1	36 x 36 x 10	None	None
363610-SC1-NK-NP	SC1C	24032	134	1	36 x 36 x 10	None	None
363612-SC1-NK	SC1C	10586	144	1	36 x 36 x 12	None	None
363612-SC1-NK-NP	SC1C	17418	144	1	36 x 36 x 12	None	None
363618-SC1-NK	SC1C	10590	173	1	36 x 36 x 18	None	None
36486-SC1-NK	SC1C	10612	150	1	36 x 48 x 6	None	None
48486-SC1-NK	SC1C	10731	192	1	48 x 48 x 6	None	None
484812-SC1-NK	SC1C	10724	220	1	48 x 48 x 12	None	None
<b>COVERS</b>							
44XSC1	CNAC	10694	0.3	1	4 x 4		
46XSC1	CNAC	10719	0.4	1	4 x 6		
66XSC1	CNAC	10857	0.8	1	6 x 6		
68XSC1	CNAC	10867	1	1	6 x 8		
612XSC1	CNAC	10767	1.5	1	6 x 12		
88XSC1	CNAC	10999	1	1	8 x 8		
810XSC1	CNAC	10890	1.2	1	8 x 10		
812XSC1	CNAC	10908	1.4	1	8 x 12		
1010XSC1	CNAC	10062	2	1	10 x 10		
1012XSC1	CNAC	10081	2.2	1	10 x 12		
1212XSC1	CNAC	10175	2.5	1	12 x 12		
1216XSC1	CNAC	10197	2.9	1	12 x 16		
1218XSC1	CNAC	10225	3.2	1	12 x 18		
1224XSC1	CNAC	10244	4.3	1	12 x 24		
1518XSC1	CNAC	10274	4	1	15 x 18		
1616XSC1	CNAC	10288	3.8	1	16 x 16		
1818XSC1	CNAC	10328	4.8	1	18 x 18		
1824XSC1	CNAC	10354	6.4	1	18 x 24		
2424XSC1	CNAC	10446	10.9	1	24 x 24		
2430XSC1	CNAC	10468	12.3	1	24 x 30		
2436XSC1	CNAC	10492	16.4	1	24 x 36		
3030XSC1	CNAC	10535	12.3	1	30 x 30		
3036XSC1	CNAC	10553	19	1	30 x 36		
3636XSC1	CNAC	10606	23	1	36 x 36		
3648XSC1	CNAC	10621	26	1	36 x 48		



Please consult serving utility for their requirements prior to ordering or installing, as specifications and approvals vary by utility, and may require local electrical inspector approval. All installations must be installed by a licensed electrician and must comply with all national and local codes, laws and regulations. Milbank reserves the right to make changes in specifications and features shown without notice or obligation.

# Hinge Cover Junction Boxes

## Type 1

### Industry Standards

- NEMA Type 1
- UL 50 Type 1
- CUL Type 1 (equivalent to CSA)

### Application

- Designed for use as a junction or pull box.
- For indoor use to provide protection against contact with enclosed equipment where dust and moisture are not a problem.

### Construction

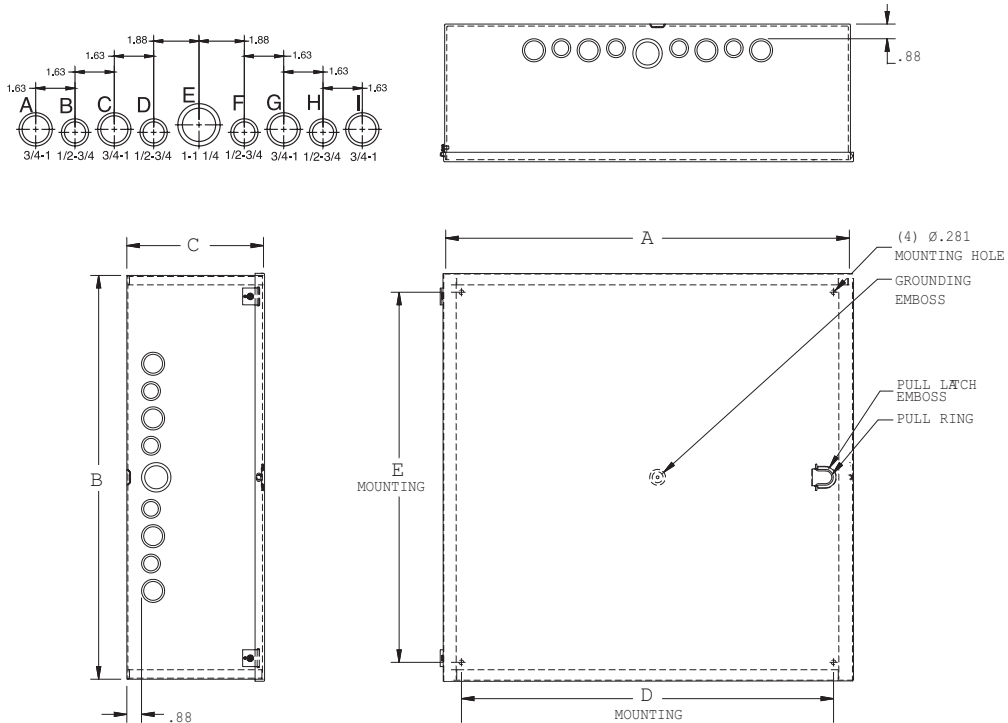
- Enclosure made from 16- or 14-gauge steel.
- Available with or without knockouts. For no knockouts, refer to suffix **-NK** in catalog number.
- Available with or without paint. For no paint, refer to suffix **-NP** in catalog number. Unpainted enclosures are made from galvanized steel.
- Formed stainless hinges.
- Mounting holes on back.
- Provision for grounding, with green grounding screw.
- Flush pull ring for easy opening of door.

### Finish

- ANSI 61 gray polyester powder coat finish inside and out unless otherwise specified.

### Accessories

- Note: Use only wood panels for HC1 enclosures. For wood back panels, see Panels, pg. 30.
- Touch-up paint: see Accessories, pg. 50.



Please consult serving utility for their requirements prior to ordering or installing, as specifications and approvals vary by utility, and may require local electrical inspector approval. All installations must be installed by a licensed electrician and must comply with all national and local codes, laws and regulations. Milbank reserves the right to make changes in specifications and features shown without notice or obligation.



Catalog Number	Product Family	UPC Number 7-84572-	Weight (lbs)	Carton Quantity	W x H x D	Knockouts	
						A Side	B Side
664-HC1	HC1C	10798	3.4	9	6 x 6 x 4	B-C-D	None
664-HC1-NK	HC1C	19930	3.4	9	6 x 6 x 4	None	None
664-HC1-NK-NP	HC1C	21398	3.4	9	6 x 6 x 4	None	None
666-HC1	HC1C	10817	4.3	6	6 x 6 x 6	B-C-D	None
666-HC1-NK	HC1C	15354	4.3	6	6 x 6 x 6	None	None
684-HC1	HC1C	31817	4	9	6 x 8 x 4	B-C-D	F-G-H-I
684-HC1-NK	HC1C	21532	4	9	6 x 8 x 4	None	None
884-HC1	HC1C	10935	5.2	6	8 x 8 x 4	F-G-H-I	None
884-HC1-NK	HC1C	10936	5.2	6	8 x 8 x 4	None	None
884-HC1-NP	HC1C	30189	5.2	6	8 x 8 x 4	F-G-H-I	None
886-HC1	HC1C	10953	6.5	4	8 x 8 x 6	F-G-H-I	None
886-HC1-NK	HC1C	10954	6.5	4	8 x 8 x 6	None	None
886-HC1-NP	HC1C	30190	6.5	4	8 x 8 x 6	F-G-H-I	None
8124-HC1-NK	HC1C	32340	7	3	8 x 12 x 4	None	None
10104-HC1	HC1C	10013	7.3	3	10 x 10 x 4	C-D-E-F-G	None
10104-HC1-NK	HC1C	10014	7.3	3	10 x 10 x 4	None	None
10106-HC1	HC1C	10028	8	2	10 x 10 x 6	C-D-E-F-G	None
10106-HC1-NK	HC1C	10029	8	2	10 x 10 x 6	None	None
10124-HC1	HC1C	10064	7.9	3	10 x 12 x 4	C-D-E-F-G	C-D-E-F-G
1284-HC1	HC1C	10252	6.7	3	12 x 8 x 4	C-D-E-F-G	F-G-H-I
12124-HC1	HC1C	10110	9.3	4	12 x 12 x 4	C-D-E-F-G	None
12124-HC1-NK	HC1C	10111	9.3	4	12 x 12 x 4	None	None
12124-HC1-NK-NP	HC1C	21399	9.3	4	12 x 12 x 4	None	None
12126-HC1	HC1C	10129	11	3	12 x 12 x 6	C-D-E-F-G	None
12126-HC1-NK	HC1C	10130	11	3	12 x 12 x 6	None	None
12126-HC1-NK-NP	HC1C	30187	11	3	12 x 12 x 6	None	None
12184-HC1	HC1C	10201	12.5		12 x 18 x 4	C-D-E-F-G	A-B-C-D-E-F-G-H-I
18186-HC1	HC1C	10308	19.5	2	18 x 18 x 6	A-B-C-D-E-F-G-H-I	None
18186-HC1-NK	HC1C	32006	19.5	2	18 x 18 x 6	None	None
18186-HC1-NK-NP	HC1C	30188	19.5	2	18 x 18 x 6	None	None
18246-HC1	HC1C	10337	26	1	18 x 24 x 6	A-B-C-D-E-F-G-H-I	A-B-C-D-E-F-G-H-I
18246-HC1-NK	HC1C	32005	26	1	18 x 24 x 6	None	None



Please consult serving utility for their requirements prior to ordering or installing, as specifications and approvals vary by utility, and may require local electrical inspector approval. All installations must be installed by a licensed electrician and must comply with all national and local codes, laws and regulations. Milbank reserves the right to make changes in specifications and features shown without notice or obligation.

# Hinge Cover Panel Enclosure

15

## Type 1

### Industry Standards

- NEMA Type 1
- UL 50 Type 1
- CUL Type1 (equivalent to CSA)

### Application

- Designed for use in control and instrumentation applications.
- For indoor use in applications where moisture and dust are not a problem.

### Construction

- Enclosure and cover manufactured from 16-gauge steel.
- Door is attached to the enclosure with a continuous hinge.
- Door is secured closed by a quarter-turn, screwdriver-operated flush catch.
- Panel-mounting studs are provided for optional back panel.
- Provisions for mounting optional cylinder lock.
- Mounting holes are provided on the back of enclosure.

### Finish

- ANSI 61 gray polyester powder coating over phosphatized steel.

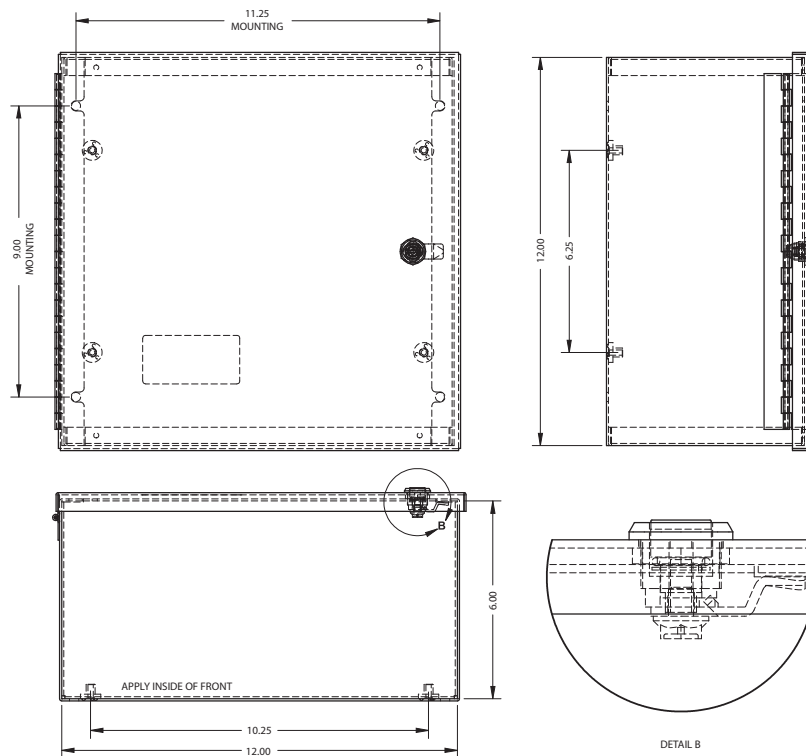
### Accessories

- Panel numbers listed next page: see optional SBP Series pg. 30 for specification information.
- Touch-up paint: see Accessories, pg. 50.
- Locks: see Accessories, pg. 49.



### Note

Wood panels are not compatible with these units.



Please consult serving utility for their requirements prior to ordering or installing, as specifications and approvals vary by utility, and may require local electrical inspector approval. All installations must be installed by a licensed electrician and must comply with all national and local codes, laws and regulations. Milbank reserves the right to make changes in specifications and features shown without notice or obligation.



Catalog Number	Product Family	UPC Number 7-84572-	Weight (lbs)	Carton Quantity	W x H x D	Panel
664-LC1	CAB1	18731	3.3	9	6 x 6 x 4	A-66SBP
684-LC1	CAB1	18734	4.1	9	6 x 8 x 4	A-86SBP
884-LC1	CAB1	18955	5.1	6	8 x 8 x 4	A-88SBP
8104-LC1	CAB1	18733	6	5	8 x 10 x 4	A-108SBP
8106-LC1	CAB1	18113	7.4	4	8 x 10 x 6	A-108SBP
10104-LC1	CAB1	18732	7.1	3	10 x 10 x 4	A-1010SBP
10106-LC1	CAB1	18098	8.6	2	10 x 10 x 6	A-1010SBP
10124-LC1	CAB1	18099	8.1	3	10 x 12 x 4	A-1210SBP
10126-LC1	CAB1	18100	9.8	2	10 x 12 x 6	A-1210SBP
12124-LC1	CAB1	16261	9.3	4	12 x 12 x 4	A-1212SBP
12126-LC1	CAB1	18101	11.5	3	12 x 12 x 6	A-1212SBP
12166-LC1	CAB1	18106	15	2	12 x 16 x 6	A-1612SBP
12206-LC1	CAB1	18107	17	2	12 x 20 x 6	A-2012SBP
16166-LC1	CAB1	27625	22.5	2	16 x 16 x 6	A-1616SBP
16206-LC1	CAB1	27623	24	2	16 x 20 x 6	A-2016SBP
18186-LC1	CAB1	26910	25	2	18 x 18 x 6	A-1818SBP
20206-LC1	CAB1	27635	26	1	20 x 20 x 6	A-2020SBP
20246-LC1	CAB1	27633	30	1	20 x 24 x 6	A-2420SBP
20248-LC1	CAB1	27632	32	1	20 x 24 x 8	A-2420SBP
24246-LC1	CAB1	26313	40	1	24 x 24 x 6	A-2424SBP
24248-LC1	CAB1	27631	42	1	24 x 24 x 8	A-2424SBP
242412-LC1	CAB1	18956	46	1	24 x 24 x 12	A-2424SBP
24306-LC1	CAB1	32296	47	1	24 x 30 x 6	A-3024SBP
24366-LC1	CAB1	26564	57.4	1	24 x 36 x 6	A-3624SBP
24368-LC1	CAB1	27629	62	1	24 x 36 x 8	A-3624SBP
30308-LC1	CAB1	27628	63.6	1	30 x 30 x 8	A-3030SBP
30366-LC1	CAB1	27627	69	1	30 x 36 x 6	A-3630SBP



Please consult serving utility for their requirements prior to ordering or installing, as specifications and approvals vary by utility, and may require local electrical inspector approval. All installations must be installed by a licensed electrician and must comply with all national and local codes, laws and regulations. Milbank reserves the right to make changes in specifications and features shown without notice or obligation.



# Screw Cover Junction Boxes

17

## Type 3R

### Industry Standards

- NEMA Type 3R
- UL 50 Type 3R
- CUL Type 3R (equivalent to CSA)

### Application

- Designed for use as a junction or pull box.
- For outdoor use to provide protection against rain, sleet or snow or indoors where dripping water is a problem.

### Construction

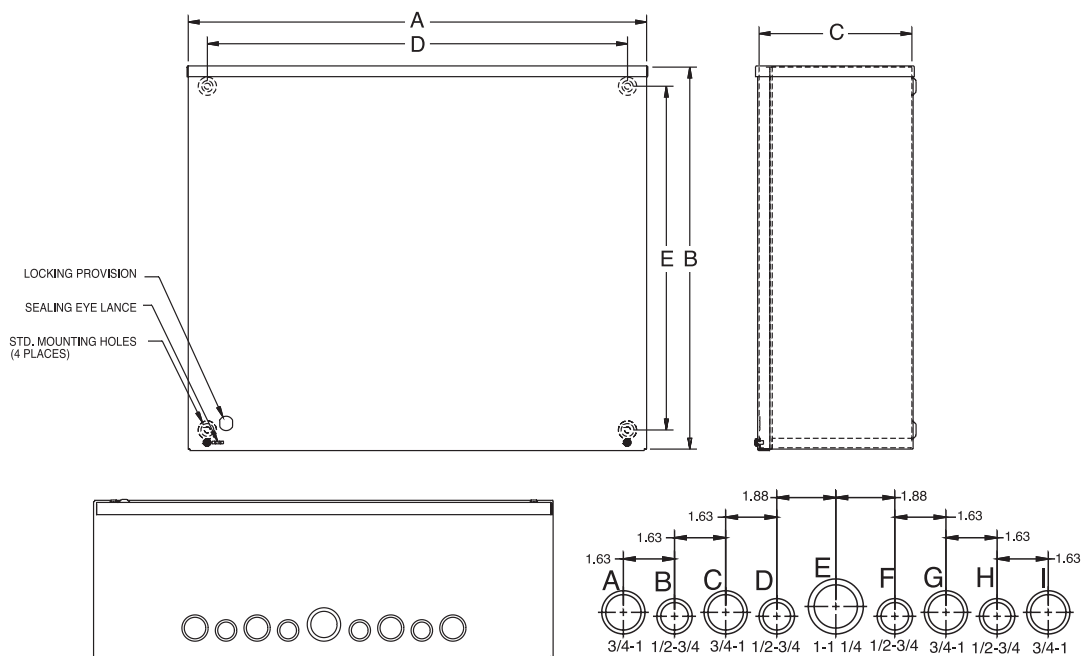
- Enclosure and cover are manufactured from 16-, 14- or 12-gauge G90 galvanized steel.
- The cover is designed to fit under the drip shield top, held in place with a plated steel screw.
- Available with or without paint. For no paint, refer to suffix **-NP** in the catalog number.
- Available with or without concentric knockouts on the bottom. For no knockouts, refer to suffix **-NK** in the catalog number.
- Mounting embosses are provided on the back of each enclosure.
- Sealing provisions on the front cover.

### Finish

- ANSI 61 gray polyester powder coating over phosphatized G90 galvanized steel.

### Accessories

- Replacement cover: see pg. 20.
- Touch-up paint: see Accessories, pg. 50.
- Cylinder lock: see Accessories, pg. 49.



Please consult serving utility for their requirements prior to ordering or installing, as specifications and approvals vary by utility, and may require local electrical inspector approval. All installations must be installed by a licensed electrician and must comply with all national and local codes, laws and regulations. Milbank reserves the right to make changes in specifications and features shown without notice or obligation.



Catalog Number	Product Family	UPC Number 7-84572-	Weight (lbs)	Carton Quantity	W x H x D	Knockouts
444-SC3R	SC3R	10653	2.2	6	4 x 4 x 4	B-C
444-SC3R-NK	SC3R	10654	2.2	6	4 x 4 x 4	None
444-SC3R-NK-NP	SC3R	15484	2.2	6	4 x 4 x 4	None
464-SC3R	SC3R	10706	2.8	4	4 x 6 x 4	B-C
464-SC3R-NK	SC3R	22258	2.8	4	4 x 6 x 4	None
664-SC3R	SC3R	10805	3.4	9	6 x 6 x 4	B-C-D
664-SC3R-NK	SC3R	10806	3.4	9	6 x 6 x 4	None
664-SC3R-NK-NP	SC3R	15495	3.4	9	6 x 6 x 4	None
664-SC3R-NP	SC3R	23225	3.4	9	6 x 6 x 4	B-C-D
666-SC3R	SC3R	10820	4.5	6	6 x 6 x 6	B-C
666-SC3R-NK	SC3R	10821	4.5	6	6 x 6 x 6	None
666-SC3R-NK-NP	SC3R	16179	4.5	6	6 x 6 x 6	None
684-SC3R	SC3R	10861	4.2	9	6 x 8 x 4	B-C-D
684-SC3R-NK	SC3R	15781	4.2	9	6 x 8 x 4	None
684-SC3R-NK-NP	SC3R	21089	4.2	9	6 x 8 x 4	None
686-SC3R	SC3R	10865	5.3	6	6 x 8 x 6	B-C-D
686-SC3R-NK	SC3R	15632	5.3	6	6 x 8 x 6	None
6124-SC3R	SC3R	21446	5.5	6	6 x 12 x 4	B-C-D
884-SC3R	SC3R	10941	5.2	6	8 x 8 x 4	F-G-H-I
884-SC3R-NK	SC3R	10942	5.2	6	8 x 8 x 4	None
884-SC3R-NK-NP	SC3R	15505	5.2	6	8 x 8 x 4	None
884-SC3R-NP	SC3R	23226	5.2	6	8 x 8 x 4	F-G-H-I
886-SC3R	SC3R	10957	6.5	4	8 x 8 x 6	F-G-H-I
886-SC3R-NK	SC3R	10958	6.5	4	8 x 8 x 6	None
886-SC3R-NK-NP	SC3R	16178	6.5	4	8 x 8 x 6	None
886-SC3R-NP	SC3R	23227	6.5	4	8 x 8 x 6	F-G-H-I
888-SC3R	SC3R	19529	7.5	2	8 x 8 x 8	F-G-H-I
888-SC3R-NK	SC3R	28467	7.5	2	8 x 8 x 8	None
8104-SC3R	SC3R	10882	6	6	8 x 10 x 4	F-G-H-I
8104-SC3R-NK	SC3R	10883	6	6	8 x 10 x 4	None
8106-SC3R	SC3R	10887	7.5	4	8 x 10 x 6	F-G-H-I
8106-SC3R-NK	SC3R	10888	7.5	4	8 x 10 x 6	None
8106-SC3R-NK-NP	SC3R	32341	7.5	4	8 x 10 x 6	None
8124-SC3R	SC3R	10895	7	3	8 x 12 x 4	F-G-H-I
8124-SC3R-NK	SC3R	15911	7	3	8 x 12 x 4	None
8126-SC3R	SC3R	10900	8.5	2	8 x 12 x 6	F-G-H-I
8126-SC3R-NK	SC3R	26004	8.5	2	8 x 12 x 6	None
10104-SC3R	SC3R	10019	7.3	3	10 x 10 x 4	C-D-E-F-G
10104-SC3R-NK	SC3R	10020	7.3	3	10 x 10 x 4	None
10104-SC3R-NK-NP	SC3R	18371	7.3	3	10 x 10 x 4	None
10104-SC3R-NP	SC3R	23228	7.3	3	10 x 10 x 4	C-D-E-F-G
10106-SC3R	SC3R	10032	9	2	10 x 10 x 6	C-D-E-F-G
10106-SC3R-NK	SC3R	10033	9	2	10 x 10 x 6	None
10106-SC3R-NK-NP	SC3R	15457	9	2	10 x 10 x 6	None
10124-SC3R	SC3R	10067	8.3	3	10 x 12 x 4	C-D-E-F-G
10126-SC3R	SC3R	10073	10	2	10 x 12 x 6	C-D-E-F-G
10126-SC3R-NK	SC3R	10074	10	2	10 x 12 x 6	None
10126-SC3R-NK-NP	SC3R	32342	10	2	10 x 12 x 6	None
12124-SC3R	SC3R	10117	9.5	4	12 x 12 x 4	C-D-E-F-G
12124-SC3R-NK	SC3R	10118	9.5	4	12 x 12 x 4	None
12124-SC3R-NK-NP	SC3R	15465	9.5	4	12 x 12 x 4	None
12124-SC3R-NP	SC3R	17679	9.5	4	12 x 12 x 4	C-D-E-F-G
12126-SC3R	SC3R	10137	11.5	3	12 x 12 x 6	C-D-E-F-G
12126-SC3R-NK	SC3R	10138	11.5	3	12 x 12 x 6	None
12126-SC3R-NK-NP	SC3R	15467	11.5	3	12 x 12 x 6	None
12126-SC3R-NP	SC3R	23229	11.5	3	12 x 12 x 6	C-D-E-F-G
12128-SC3R	SC3R	10156	13.7	2	12 x 12 x 8	C-D-E-F-G
12128-SC3R-NK	SC3R	10157	13.7	2	12 x 12 x 8	None
12128-SC3R-NK-NP	SC3R	19306	13.7	2	12 x 12 x 8	None
121212-SC3R-NK	SC3R	19257	17.2	1	12 x 12 x 12	None



Please consult serving utility for their requirements prior to ordering or installing, as specifications and approvals vary by utility, and may require local electrical inspector approval. All installations must be installed by a licensed electrician and must comply with all national and local codes, laws and regulations. Milbank reserves the right to make changes in specifications and features shown without notice or obligation.

# Screw Cover Junction Boxes

19

Type 3R

Catalog Number	Product Family	UPC Number 7-84572-	Weight (lbs)	Carton Quantity	W x H x D	Knockouts
121212-SC3R-NK-NP	SC3R	19429	17.2	1	12 x 12 x 12	None
12164-SC3R	SC3R	10179	11.7	3	12 x 16 x 4	C-D-E-F-G
12164-SC3R-NK	SC3R	22231	11.7	3	12 x 16 x 4	None
12166-SC3R	SC3R	10185	14.5	2	12 x 16 x 6	C-D-E-F-G
12166-SC3R-NK	SC3R	10186	14.5	2	12 x 16 x 6	None
12184-SC3R	SC3R	10204	12.7	3	12 x 18 x 4	C-D-E-F-G
12184-SC3R-NK	SC3R	21547	12.7	3	12 x 18 x 4	None
12186-SC3R	SC3R	10211	15.5	2	12 x 18 x 6	C-D-E-F-G
12186-SC3R-NK	SC3R	10212	15.5	2	12 x 18 x 6	None
12186-SC3R-NK-NP	SC3R	21091	15.5	2	12 x 18 x 6	None
12188-SC3R	SC3R	10219	18	1	12 x 18 x 8	C-D-E-F-G
12188-SC3R-NK	SC3R	10220	18	1	12 x 18 x 8	None
12188-SC3R-NK-NP	SC3R	21093	18	1	12 x 18 x 8	None
121810-SC3R	SC3R	10200	20	1	12 x 18 x 10	C-D-E-F-G
121812-SC3R-NK	SC3R	22432	22.3	1	12 x 18 x 12	None
12246-SC3R	SC3R	10235	18.8	2	12 x 24 x 6	C-D-E-F-G
16164-SC3R	SC3R	19380	14	3	16 x 16 x 4	B-C-D-E-F-G-H
16166-SC3R	SC3R	24648	16.5	2	16 x 16 x 6	B-C-D-E-F-G-H
16166-SC3R-NK	SC3R	26704	16.5	2	16 x 16 x 6	None
18184-SC3R	SC3R	10303	18.7	3	18 x 18 x 4	A-B-C-D-E-F-G-H-I
18184-SC3R-NK	SC3R	18648	18.7	3	18 x 18 x 4	None
18184-SC3R-NK-NP	SC3R	19308	18.7	3	18 x 18 x 4	None
18186-SC3R	SC3R	10312	21	2	18 x 18 x 6	A-B-C-D-E-F-G-H-I
18186-SC3R-NK	SC3R	10313	21	2	18 x 18 x 6	None
18186-SC3R-NK-NP	SC3R	19307	21	2	18 x 18 x 6	None
18188-SC3R	SC3R	10321	24	1	18 x 18 x 8	A-B-C-D-E-F-G-H-I
18188-SC3R-NK	SC3R	10322	24	1	18 x 18 x 8	None
18188-SC3R-NK-NP	SC3R	19417	24	1	18 x 18 x 8	None
18188-SC3R-NP	SC3R	23230	24	1	18 x 18 x 8	A-B-C-D-E-F-G-H-I
181810-SC3R	SC3R	10296	26	1	18 x 18 x 10	A-B-C-D-E-F-G-H-I
181810-SC3R-NK	SC3R	10297	26	1	18 x 18 x 10	None
181812-SC3R	SC3R	17317	28	1	18 x 18 x 12	A-B-C-D-E-F-G-H-I
181812-SC3R-NK	SC3R	32283	28	1	18 x 18 x 12	None
18246-SC3R	SC3R	10340	30	1	18 x 24 x 6	A-B-C-D-E-F-G-H-I
18246-SC3R-NK	SC3R	21148	30	1	18 x 24 x 6	None
18246-SC3R-NK-NP	SC3R	21092	30	1	18 x 24 x 6	None
18248-SC3R	SC3R	10348	33	1	18 x 24 x 8	A-B-C-D-E-F-G-H-I
18248-SC3R-NK	SC3R	21168	33	1	18 x 24 x 8	None
18248-SC3R-NK-NP	SC3R	21094	33	1	18 x 24 x 8	None
182410-SC3R	SC3R	10331	34	1	18 x 24 x 10	A-B-C-D-E-F-G-H-I
24244-SC3R	SC3R	23803	32	2	24 x 24 x 4	A-B-C-D-E-F-G-H-I
24244-SC3R-NP	SC3R	32343	32	2	24 x 24 x 4	A-B-C-D-E-F-G-H-I
24246-SC3R	SC3R	10427	34.5	1	24 x 24 x 6	A-B-C-D-E-F-G-H-I
24246-SC3R-NK	SC3R	10428	34.5	1	24 x 24 x 6	None
24246-SC3R-NK-NP	SC3R	15474	34.5	1	24 x 24 x 6	None
24248-SC3R	SC3R	10437	39	1	24 x 24 x 8	A-B-C-D-E-F-G-H-I
24248-SC3R-NK	SC3R	10438	39	1	24 x 24 x 8	None
24248-SC3R-NK-NP	SC3R	19305	39	1	24 x 24 x 8	None
242410-SC3R	SC3R	10410	43	1	24 x 24 x 10	A-B-C-D-E-F-G-H-I
242410-SC3R-NK	SC3R	10411	43	1	24 x 24 x 10	None
242410-SC3R-NK-NP	SC3R	21095	43	1	24 x 24 x 10	None
242412-SC3R	SC3R	10415	44	1	24 x 24 x 12	A-B-C-D-E-F-G-H-I
242412-SC3R-NK	SC3R	10416	44	1	24 x 24 x 12	None
242412-SC3R-NK-NP	SC3R	15472	44	1	24 x 24 x 12	None
243010-SC3R	SC3R	10449	50	1	24 x 30 x 10	A-B-C-D-E-F-G-H-I
243010-SC3R-NK	SC3R	26705	50	1	24 x 30 x 10	None
243012-SC3R	SC3R	21511	51	1	24 x 30 x 12	A-B-C-D-E-F-G-H-I
243612-SC3R	SC3R	10473	70	1	24 x 36 x 12	A-B-C-D-E-F-G-H-I
243612-SC3R-NK	SC3R	22433	70	1	24 x 36 x 12	None
30306-SC3R	SC3R	10522	66	1	30 x 30 x 6	A-B-C-D-E-F-G-H-I

Please consult serving utility for their requirements prior to ordering or installing, as specifications and approvals vary by utility, and may require local electrical inspector approval. All installations must be installed by a licensed electrician and must comply with all national and local codes, laws and regulations. Milbank reserves the right to make changes in specifications and features shown without notice or obligation.



Catalog Number	Product Family	UPC Number 7-84572-	Weight (lbs)	Carton Quantity	W x H x D	Knockouts
30306-SC3R-NK	SC3R	20249	66	1	30 x 30 x 6	None
30308-SC3R	SC3R	23298	71	1	30 x 30 x 8	None
30308-SC3R-NK	SC3R	30025	71	1	30 x 30 x 8	None
303010-SC3R	SC3R	10509	62	1	30 x 30 x 10	None
303010-SC3R-NK	SC3R	19153	62	1	30 x 30 x 10	None
303010-SC3R-NK-NP	SC3R	21098	62	1	30 x 30 x 10	None
303012-SC3R	SC3R	23270	67	1	30 x 30 x 12	None
303012-SC3R-NK-NP	SC3R	32344	67	1	30 x 30 x 12	None
303612-SC3R-NK	SC3R	20927	77	1	30 x 36 x 12	None
36368-SC3R	SC3R	21637	77	1	36 x 36 x 8	None
363612-SC3R	SC3R	10587	88.8	1	36 x 36 x 12	None
363612-SC3R-NK	SC3R	10588	88.8	1	36 x 36 x 12	None
363612-SC3R-NK-NP	SC3R	15476	88.8	1	36 x 36 x 12	None
363618-SC3R-NK	SC3R	19959	107	1	36 x 36 x 18	None
364816-SC3R-NK	SC3R	23807	126.5	1	36 x 48 x 16	None
<b>COVERS</b>						
44XSC3R	CNAC	10695	0.3	1	4 x 4	
46XSC3R	CNAC	19155	0.4	1	4 x 6	
66XSC3R	CNAC	10858	0.8	1	6 x 6	
68XSC3R	CNAC	10868	1	1	6 x 8	
88XSC3R	CNAC	11000	1.1	1	8 x 8	
810XSC3R	CNAC	15932	1.2	1	8 x 10	
1010XSC3R	CNAC	10063	2	1	10 x 10	
1012XSC3R	CNAC	15547	2.4	1	10 x 12	
1212XSC3R	CNAC	10176	2.8	1	12 x 12	
1818XSC3R	CNAC	10329	4.8	1	18 x 18	
1824XSC3R	CNAC	15548	8.2	1	18 x 24	
2424XSC3R	CNAC	20563	10.9	1	24 x 24	



Please consult serving utility for their requirements prior to ordering or installing, as specifications and approvals vary by utility, and may require local electrical inspector approval. All installations must be installed by a licensed electrician and must comply with all national and local codes, laws and regulations. Milbank reserves the right to make changes in specifications and features shown without notice or obligation.

# Hinge Cover Junction Boxes

## Type 3R

### Industry Standards

- NEMA Type 3R
- UL 50 Type 3R
- CUL Type 3R (equivalent to CSA)

### Application

- Designed for use as a junction or pull box.
- For outdoor use to provide protection against rain, sleet or snow or indoors where dripping water is a problem.

### Construction

- Enclosure and cover are manufactured from 16-, 14- and 12-gauge G90 steel.
- Formed steel hinge with padlockable flip latch.

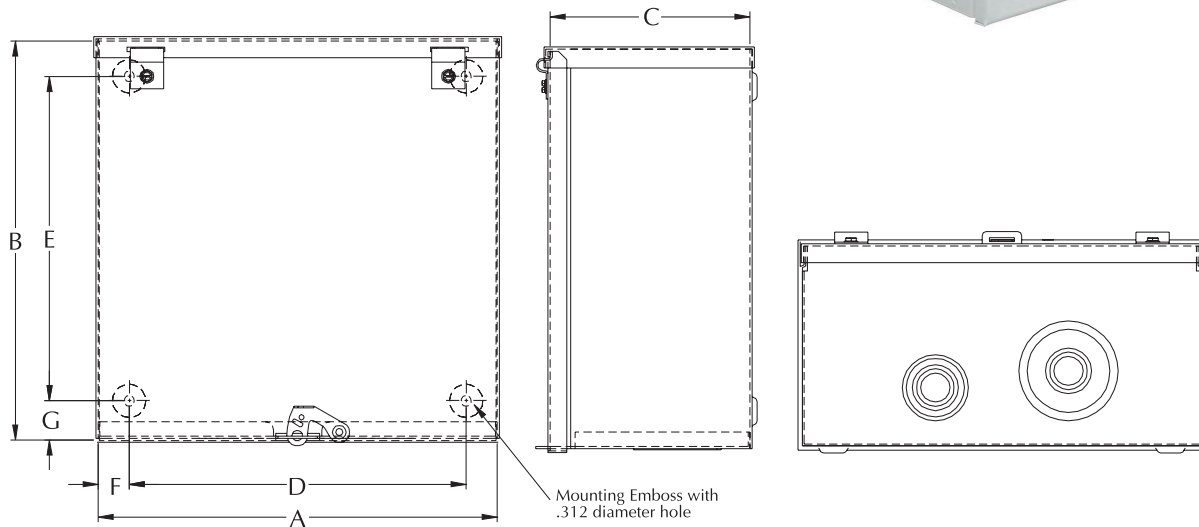
- Available with or without concentric knockouts on the bottom. For no knockouts, refer to suffix **-NK** in the catalog number.
- Four mounting holes are supplied on back of box.
- Features a drip shield top and seam-free sides, front and back.

### Finish

- ANSI 61 gray polyester powder coating over phosphatized G90 galvanized steel.

### Accessories

- Touch-up paint: see Accessories, pg. 50.



Catalog Number	Product Family	UPC Number 7-84572-	Weight (lbs)	Carton Quantity	W x H x D	Knockouts
664-HC3R	HC3R	10800	3.5	9	6 x 6 x 4	D-D
884-HC3R	HC3R	10937	5.2	6	8 x 8 x 4	C-C
10104-HC3R	HC3R	10016	7	3	10 x 10 x 4	C-C
12124-HC3R	HC3R	10112	9.2	4	12 x 12 x 4	C-C-C
12126-HC3R	HC3R	10132	11	3	12 x 12 x 6	C-A
12126-HC3R-NK	HC3R	15839	11	3	12 x 12 x 6	NONE
12186-HC3R	HC3R	10208	15.7	2	12 x 18 x 6	C-A
18188-HC3R	HC3R	10318	24	1	18 x 18 x 8	C-A-C
242410-HC3R	HC3R	10407	42	1	24 x 24 x 10	C-C-A-C-C

Please consult serving utility for their requirements prior to ordering or installing, as specifications and approvals vary by utility, and may require local electrical inspector approval. All installations must be installed by a licensed electrician and must comply with all national and local codes, laws and regulations. Milbank reserves the right to make changes in specifications and features shown without notice or obligation.



**Industry Standards**

- NEMA Type 3R
- UL 50 Type 3R
- CUL Type 3R (equivalent to CSA)

**Application**

- Designed for use as a telephone cabinet, panel enclosure or junction box.
- For outdoor use to provide protection against rain, sleet or snow or indoors where dripping water is a problem.

**Construction**

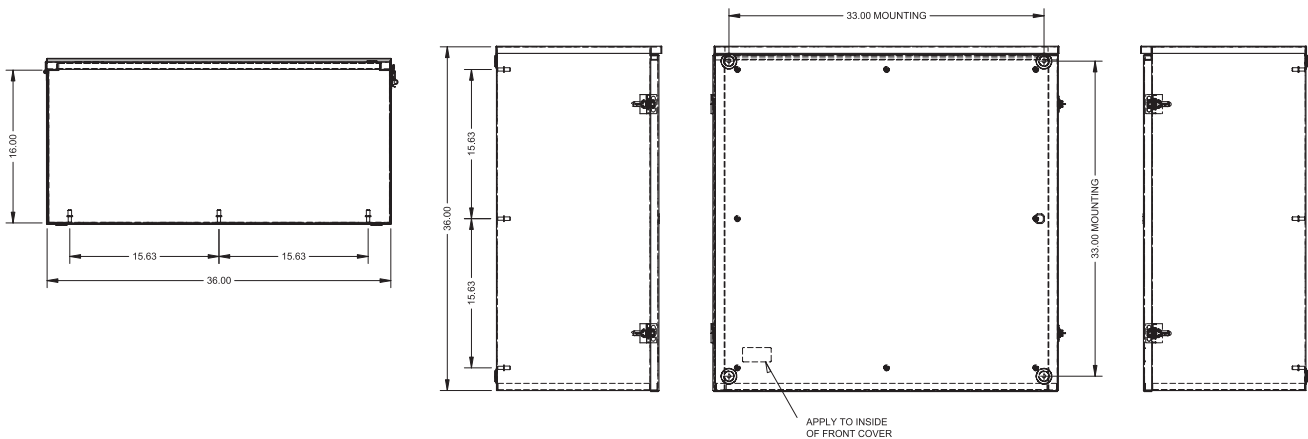
- Enclosure and cover are manufactured from 16-, 14-, 12- or 11-gauge G90 galvanized steel.
- Cover is mounted on galvanized lift-off hinges with stainless steel hinge pins. Cover is fastened with a padlockable draw latch.
- Panel-mounting studs provided for optional back panel.
- Embossed mounting holes on back.
- Knockouts provided on the bottom of **12126-TC3R** and smaller sizes.
- Drip shield top and seam-free sides, front and back.

**Finish**

- ANSI 61 gray polyester powder coating over phosphatized G90 galvanized steel.

**Accessories**

- Panel: see optional P Series, pg. 29.
- Touch-up paint: see Accessories, pg. 50.
- T-Handle lock: see Accessories, pg. 49.
- External mounting foot kit: see Accessories, pg. 50.



Please consult serving utility for their requirements prior to ordering or installing, as specifications and approvals vary by utility, and may require local electrical inspector approval. All installations must be installed by a licensed electrician and must comply with all national and local codes, laws and regulations. Milbank reserves the right to make changes in specifications and features shown without notice or obligation.

# Hinge Cover Telephone Cabinet

23

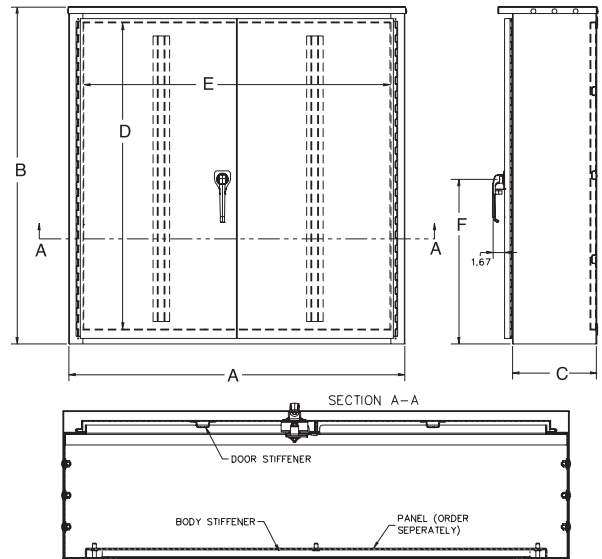
Type 3R

Catalog Number	Product Family	UPC Number 7-84572-	Weight (lbs)	Carton Quantity	W x H x D	Knockouts	Panel Catalog Number
664-TC3R	TC3R	18756	3.3	9	6 x 6 x 4	B-A-B	A-6P6R
684-TC3R	TC3R	18757	5.8	9	6 x 8 x 4	B-A-B	A-8P6R
886-TC3R	TC3R	18758	7.5	4	8 x 8 x 6	B-A-B-A	A-8P8R
8106-TC3R	TC3R	18759	8.8	4	8 x 10 x 6	B-A-B-A	A-10P8R
10126-TC3R	TC3R	18761	12.3	3	10 x 12 x 6	B-A-B-A-B	A-12P10R
12126-TC3R	TC3R	10143	14	3	12 x 12 x 6	B-A-B-A-B	A-12P12R
12166-TC3R	TC3R	15549	16	2	12 x 16 x 6	None	A-16P12
12186-TC3R	TC3R	10215	17	2	12 x 18 x 6	None	A-18P12
16166-TC3R	TC3R	22600	18	2	16 x 16 x 6	None	A-16P16
16206-TC3R	TC3R	22601	25	1	16 x 20 x 6	None	A-20P16
18186-TC3R	TC3R	10316	23	2	18 x 18 x 6	None	A-18P18
18246-TC3R	TC3R	10344	28	2	18 x 24 x 6	None	A-24P18
20208-TC3R	TC3R	22602	29.5	1	20 x 20 x 8	None	A-20P20
20248-TC3R	TC3R	22603	34	1	20 x 24 x 8	None	A-24P20
24248-TC3R	TC3R	22604	39.2	1	24 x 24 x 8	None	A-24P24
242410-TC3R	TC3R	22508	43.1	1	24 x 24 x 10	None	A-24P24
24306-TC3R	TC3R	10459	42.6	1	24 x 30 x 6	None	A-30P24
24366-TC3R	TC3R	10484	53	1	24 x 36 x 6	None	A-36P24
303012-TC3R	TC3R	22606	84	1	30 x 30 x 12	None	A-30P30
303612-TC3R	TC3R	23124	118	1	30 x 36 x 12	None	A-36P30
363010-TC3R	TC3R	27606	110	1	36 x 30 x 10	None	A-36P30
36366-TC3R	TC3R	15478	90	1	36 x 36 x 6	None	A-36P36
363612-TC3R	TC3R	22608	112	1	36 x 36 x 12	None	A-36P36
363616-TC3R	TC3R	27605	127	1	36 x 36 x 16	None	A-36P36
364812-TC3R	TC3R	24504	156	1	36 x 48 x 12	None	A-48P36
364816-TC3R	TC3R	22611	170	1	36 x 48 x 16	None	A-48P36

**Note**  
664-TC3R has a continuous hinge. All other models have lift-off hinges.

Please consult serving utility for their requirements prior to ordering or installing, as specifications and approvals vary by utility, and may require local electrical inspector approval. All installations must be installed by a licensed electrician and must comply with all national and local codes, laws and regulations. Milbank reserves the right to make changes in specifications and features shown without notice or obligation.





### Industry Standards

- NEMA Type 3R
- UL 50 Type 3R
- CUL Type 3R (equivalent to CSA)

### Application

- Designed for use as a current transformer cabinet or panel enclosure.
- For outdoor use to provide protection against rain, sleet and snow or indoor use to protect against dripping water.

### Construction

- Enclosure and cover manufactured from 16- or 14-gauge G90 galvanized steel.
- The doors are overlapping with no center post.

- The cover is mounted on galvanized lift-off hinges with stainless steel hinge pins. Cover is fastened with a padlockable draw latch.
- Three point padlockable handle.
- Panel-mounting studs provided for optional back panels.
- Drip shield top and seam-free sides, front and back.

### Finish

- ANSI 61 gray polyester powder coating over phosphatized G90 galvanized steel.

### Accessories

- Panel: see optional P Series, pg. 29.
- Touch-up paint: see Accessories, pg. 50.

Catalog Number	Product Family	UPC Number 7-84572-	Weight (lbs)	Hinge Type	Carton Quantity	W x H x D	Panel Catalog Number
363010-CT3R	CN3R	18823	99	Lift-off	1	36 x 30 x 10	A-36P30
363016-CT3R	CN3R	16181	121.5	Lift-off	1	36 x 30 x 16	A-36P30
363610-CT3R	CN3R	17368	113	Lift-off	1	36 x 36 x 10	A-36P36
363612-CT3R	CN3R	16185	118	Lift-off	1	36 x 36 x 12	A-36P36
363616-CT3R	CN3R	18819	139	Lift-off	1	36 x 36 x 16	A-36P36
483616-CT3R	CN3R	25707	163	Lift-off	1	48 x 36 x 16	A-48P36
484812-CT3R	CN3R	16184	210	Lift-off	1	48 x 48 x 12	A-48P48
606013-CT3R	CN3R	18252	274	Lift-off	1	60 x 60 x 13	A-60P60



Please consult serving utility for their requirements prior to ordering or installing, as specifications and approvals vary by utility, and may require local electrical inspector approval. All installations must be installed by a licensed electrician and must comply with all national and local codes, laws and regulations. Milbank reserves the right to make changes in specifications and features shown without notice or obligation.



# Gasketed Screw Cover Junction Boxes

25

## Type 1, 3 & 12

### Industry Standards

- NEMA Type 1, Type 3, Type 12
- UL 508 Type 1, Type 3, Type 12
- CUL Type 1, Type 3, Type 12 (equivalent to CSA)

### Application

- Designed for use as a junction or pull box.
- For indoor or outdoor use to provide protection against dust and moisture.

### Construction

- Bodies are made from 14-gauge G90 galvanized steel.
- Covers are made from 16-gauge G90 galvanized steel.
- Body is a single piece of metal with continuous seam welds.
- Captivated stainless steel screws thread into sealed wells.
- Seamless gasket assures water-tight and dust-tight seal.
- Grounding stud on inside back of box.

### Finish

- Body: ANSI 61 gray polyester powder coating over phosphatized G90 galvanized steel.
- Cover: painted G90 galvanized steel.

### Accessories

- Touch-up paint: see Accessories, pg. 50.



Catalog Number	Product Family	UPC Number 7-84572-	Weight (lbs)	Carton Quantity	W x H x D
664-WSC2	CNSP	61722	2.9	9	6 x 6 x 4
666-WSC2	CNSP	61723	2.6	6	6 x 6 x 6
684-WSC2	CNSP	61724	3.95	6	6 x 8 x 4
8104-WSC2	CNSP	61725	3.71	4	8 x 10 x 4
884-WSC2	CNSP	61726	4.5	6	8 x 8 x 4
886-WSC2	CNSP	61727	5.55	4	8 x 8 x 6
888-WSC2	CNSP	61728	5.94	3	8 x 8 x 8
10104-WSC2	CNSP	61729	6.3	4	10 x 10 x 4
10106-WSC2	CNSP	61730	7.65	3	10 x 10 x 6
12106-WSC2	CNSP	61746	8.35	3	12 x 10 x 6
12124-WSC2	CNSP	61732	8.4	4	12 x 12 x 4
12126-WSC2	CNSP	61733	10.05	3	12 x 12 x 6
12128-WSC2	CNSP	61734	11.7	2	12 x 12 x 8
16166-WSC2	CNSP	61735	15.4	1	16 x 16 x 6
18184-WSC2	CNSP	61736	15.03	1	18 x 18 x 4
18186-WSC2	CNSP	61737	19.7	1	18 x 18 x 6
20208-WSC2	CNSP	61738	37.11	1	20 x 20 x 8
24246-WSC2	CNSP	61739	41.6	1	24 x 24 x 6
24248-WSC2	CNSP	61740	46	1	24 x 24 x 8
242412-WSC2	CNSP	61741	54.6	1	24 x 24 x 12
303012-WSC2	CNSP	61742	125.25	1	30 x 30 x 12
363612-WSC2	CNSP	61743	180.36	1	36 x 36 x 12

Please consult serving utility for their requirements prior to ordering or installing, as specifications and approvals vary by utility, and may require local electrical inspector approval. All installations must be installed by a licensed electrician and must comply with all national and local codes, laws and regulations. Milbank reserves the right to make changes in specifications and features shown without notice or obligation.



# 26 Flush Mount Telephone Cabinet Covers

Type 1

## Industry Standards

- NEMA Type 1
- UL 50 Type 1
- CUL Type 1 (equivalent to CSA)

## Application

- Designed for use with the SC1 series enclosures for flush mount telephone cabinet applications.
- For indoor use to provide protection against contact with enclosed equipment where moisture and dust are not a problem.

## Construction

- Covers are manufactured from 16-, 14- and 12- gauge steel.
- The continuous hinge is made of stainless steel with a stainless steel hinge pin.
- Tumbler lock features slam-latching action on single door (24" wide or less). Key is removable in unlocked position. Case is zinc-plated steel; lift lever is steel with a dull chrome finish.
- Double door (30" and wider) uses overlapping doors with three-point latching mechanism.

## Ordering Information

- To order a complete telephone cabinet, pick the SC1 enclosure of the appropriate size and match it with the corresponding cover (height and width must match).

## Finish

- ANSI 61 gray polyester powder coating over phosphatized steel.

## Accessories

- Plywood panel: furnished by contractor.
- Touch-up paint: see Accessories, pg. 50.



Catalog Number	Product Family	UPC Number 7-84572-	Weight (lbs)	Enclosure Size
812TFLC	CNAC	10905	3.7	8 x 12
1010TFLC	CNAC	10059	3.8	10 x 10
1012TFLC	CNAC	10078	4	10 x 12
1212TFLC	CNAC	10172	4.9	12 x 12
1218TFLC	CNAC	10222	6.9	12 x 18
1224TFLC	CNAC	10241	9	12 x 24
1818TFLC	CNAC	10325	10.5	18 x 18
1824TFLC	CNAC	10350	13.7	18 x 24
2424TFLC	CNAC	10442	17.8	24 x 24
2430TFLC	CNAC	10464	21.9	24 x 30
2436TFLC	CNAC	10489	26	24 x 36
2448TFLC	CNAC	10501	34	24 x 48
3030TFLC	CNAC	10531	27	30 x 30
3036TFLC	CNAC	10549	32	30 x 36
3636TFLC	CNAC	10603	38	36 x 36
3648TFLC	CNAC	10618	51	36 x 48
4848TFLC	CNAC	10737	95	48 x 48



Please consult serving utility for their requirements prior to ordering or installing, as specifications and approvals vary by utility, and may require local electrical inspector approval. All installations must be installed by a licensed electrician and must comply with all national and local codes, laws and regulations. Milbank reserves the right to make changes in specifications and features shown without notice or obligation.

# Surface Mount Telephone Cabinet Covers 27

## Type 1

### Industry Standards

- NEMA Type 1
- UL 50 Type 1
- CUL Type 1 (equivalent to CSA)

### Application

- Designed for use with the SC1 series enclosures for surface mount telephone cabinet applications.
- For indoor use to provide protection against contact with enclosed equipment where moisture and dust are not a problem.

### Construction

- Covers are manufactured from 16-, 14- and 12-gauge steel.
- The continuous hinge is made of stainless steel with a stainless steel hinge pin.
- Tumbler lock with self-latching bolt on single door (24" wide or less). Key is removable in unlocked position.
- Overlapping double door (30" and wider) uses three-point latching mechanism.

### Ordering Information

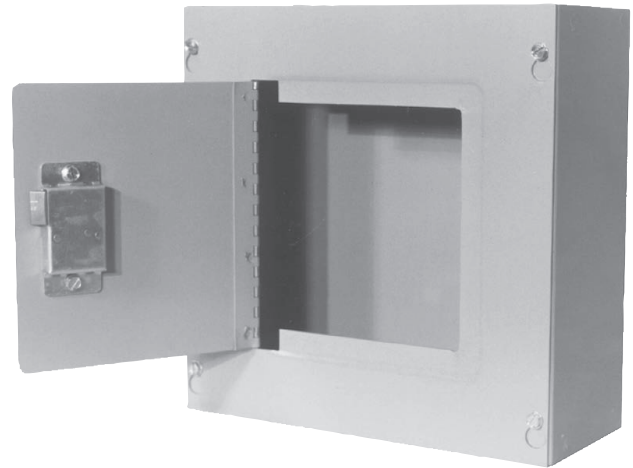
- To order a complete telephone cabinet, pick the SC1 enclosure of the appropriate size and match it with the corresponding cover (height and width must match).

### Finish

- ANSI 61 gray polyester powder coating over phosphatized steel.

### Accessories

- Plywood panel: furnished by contractor.
- Touch-up paint: see Accessories, pg. 50.



(Photo shows SC1 box with TSC attached)

Catalog Number	Product Family	UPC Number 7-84572-	Weight (lbs)	Enclosure Size
88TSC	CNAC	10997	1.7	8 x 8
812TSC	CNAC	10906	2.5	8 x 12
1010TSC	CNAC	10060	2.6	10 x 10
1012TSC	CNAC	10079	3.5	10 x 12
1212TSC	CNAC	10173	3.8	12 x 12
1218TSC	CNAC	10223	5.6	12 x 18
1224TSC	CNAC	10242	7.6	12 x 24
1818TSC	CNAC	10326	8.5	18 x 18
1824TSC	CNAC	10351	11.4	18 x 24
2424TSC	CNAC	10443	15.2	24 x 24
2430TSC	CNAC	10465	19	24 x 30
2436TSC	CNAC	10490	23	24 x 36
2448TSC	CNAC	10502	33	24 x 48
3030TSC	CNAC	10532	24	30 x 30
3036TSC	CNAC	10550	28	30 x 36
3636TSC	CNAC	10604	38	36 x 36
3648TSC	CNAC	10619	50	36 x 48
4848TSC	CNAC	10738	88	48 x 48

Please consult serving utility for their requirements prior to ordering or installing, as specifications and approvals vary by utility, and may require local electrical inspector approval. All installations must be installed by a licensed electrician and must comply with all national and local codes, laws and regulations. Milbank reserves the right to make changes in specifications and features shown without notice or obligation.



**Industry Standards**

- NEMA Type 1
- UL 50 Type 1
- CUL Type 1 (equivalent to CSA)

**Application**

- Designed for use on screw cover Type 1 (SC1) enclosures to add a flush edge.
- For indoor use to provide protection against contact with enclosed equipment where moisture and dust are not a problem.
- Cover provides a 3/4-inch flange on each side of enclosure.

**Construction**

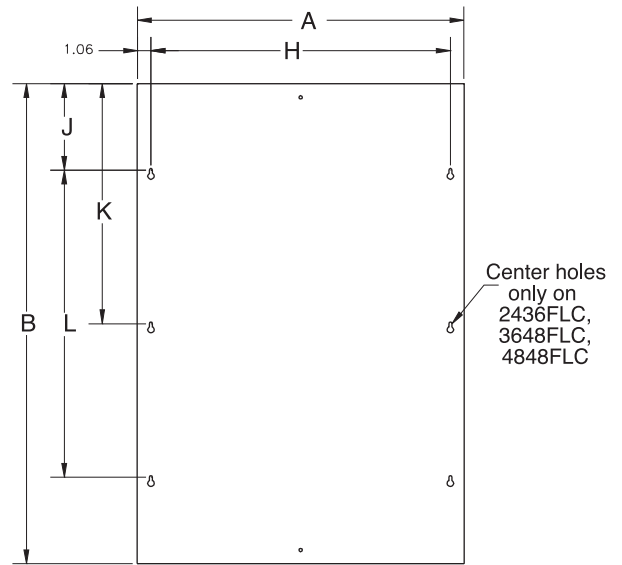
- Covers are manufactured from 16-, 14- or 12-gauge steel.
- Covers have teardrop slots for easy installation and are attached to the body with plated steel screws.

**Finish**

- ANSI 61 gray polyester powder coating over phosphatized steel.

**Accessories**

- Touch-up paint: see Accessories, pg. 50.



**FLC Cover**

Catalog Number	Product Family	UPC Number 7-84572-	Weight (lbs)	Enclosure Size
44FLC	CNAC	10673	0.3	4 x 4
66FLC	CNAC	10836	0.6	6 x 6
88FLC	CNAC	10976	1.3	8 x 8
612FLC	CNAC	10766	1.2	6 x 12
810FLC	CNAC	10889	1.8	8 x 10
1010FLC	CNAC	10046	2	10 x 10
1012FLC	CNAC	10077	2.5	10 x 12
1212FLC	CNAC	10159	2.7	12 x 12
1216FLC	CNAC	10192	3.5	12 x 16
1218FLC	CNAC	10221	3.9	12 x 18
1224FLC	CNAC	10240	5.1	12 x 24
1616FLC	CNAC	10287	4.6	16 x 16
1818FLC	CNAC	10324	5.7	18 x 18
1824FLC	CNAC	10349	9.4	18 x 24
2424FLC	CNAC	10441	14.4	24 x 24
2430FLC	CNAC	10463	16.2	24 x 30
2436FLC	CNAC	10488	19.4	24 x 36
3030FLC	CNAC	10530	20.2	30 x 30
3036FLC	CNAC	10548	22	30 x 36
3636FLC	CNAC	10602	23	36 x 36
3648FLC	CNAC	10617	26	36 x 48



Please consult serving utility for their requirements prior to ordering or installing, as specifications and approvals vary by utility, and may require local electrical inspector approval. All installations must be installed by a licensed electrician and must comply with all national and local codes, laws and regulations. Milbank reserves the right to make changes in specifications and features shown without notice or obligation.

# P Series Back Panels

## Steel and Wood Options

### Application

- For use in electrical enclosures for mounting electronic controls and equipment.

### Construction

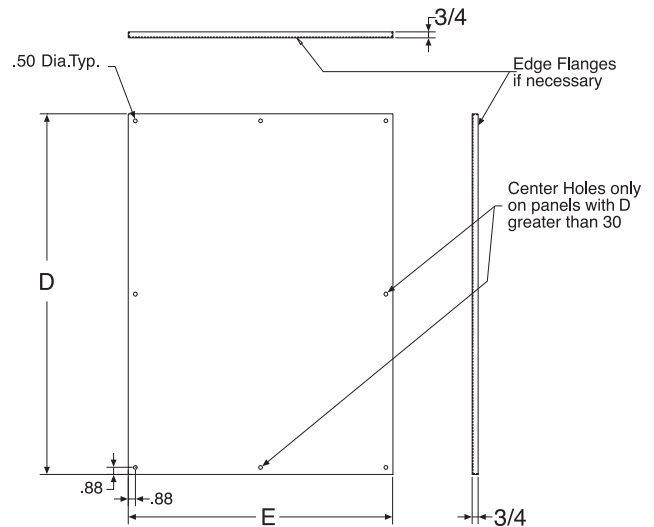
- Steel panels are 10- or 12-gauge steel.
- Wood panels are made from 3/4-inch 7-ply plywood.
- Panel-mounting hardware is furnished with all enclosures that accept these panels.

### Finish

- Painted white (Steel)
- Unpainted (Wood)

### Accessories

- Touch-up paint: see Accessories, pg. 50.

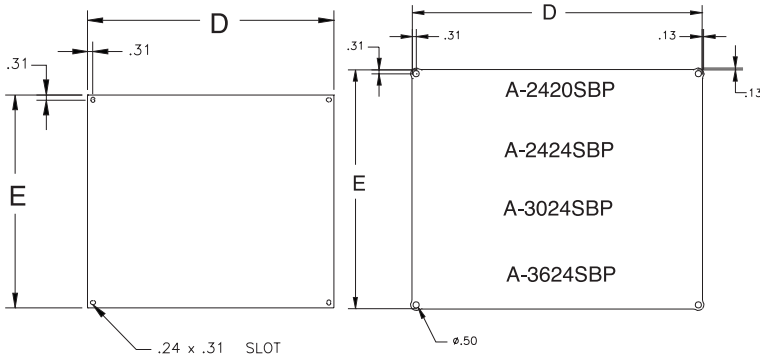


Catalog Number	Product Family	UPC # 7-84572-	Weight (lbs)	Carton Qty	H x W
<b>Steel (used with TC3R and CT3R)</b>					
A-6P6R	IIAC	23988	0.3	1	6 x 6
A-8P6R	IIAC	23989	0.4	1	8 x 6
A-8P8R	IIAC	23990	0.53	1	8 x 8
A-10P8R	IIAC	23712	0.66	1	10 x 8
A-12P10R	IIAC	23391	2	1	12 x 10
A-12P12R	IIAC	23922	2.5	1	12 x 12
A-16P12	IIAC	17583	2.9	1	16 x 12
A-16P16	IIAC	17215	3.7	1	16 x 16
A-18P12	IIAC	22543	3.6	1	18 x 12
A-18P18	IIAC	18980	4.9	1	18 x 18
A-20P16	IIAC	22547	7	1	20 x 16
A-20P20	IIAC	18284	8.75	1	20 x 20
A-24P18	IIAC	18988	10	1	24 x 18
A-24P20	IIAC	22550	11.3	1	24 x 20
A-24P24	IIAC	17946	13.9	1	24 x 24
A-30P24	IIAC	16474	16	1	30 x 24
A-30P30	IIAC	18312	24	1	30 x 30
A-36P24	IIAC	18280	22	1	36 x 24
A-36P30	IIAC	18297	30	1	36 x 30
A-36P36	IIAC	18299	34	1	36 x 36
A-48P48	IIAC	17746	58	1	48 x 48
A-60P60	IIAC	18115	134	1	60 x 60

Catalog Number	Product Family	UPC # 7-84572-	Weight (lbs)	Carton Qty	H x W
<b>Wood (used with TC3R and CT3R)</b>					
A-12P12W	CNAI	18873	2.1	1	12 x 12
A-16P12W	CNAI	18707	2.5	1	16 x 12
A-16P16W	CNAI	18717	3.4	1	16 x 16
A-18P18W	CNAI	18878	4.5	1	18 x 18
A-18P24W	CNAI	18877	5.1	1	18 x 24
A-20P20W	CNAI	18710	8.6	1	20 x 20
A-20P24W	CNAI	18711	10.5	1	20 x 24
A-24P24W	CNAI	18713	12.5	1	24 x 24
A-30P24W	CNAI	18716	15	1	30 x 24
A-30P30W	CNAI	18718	21	1	30 x 30
A-36P24W	CNAI	18289	20	1	36 x 24
A-36P30W	CNAI	18290	24	1	36 x 30
A-36P36W	CNAI	18721	29	1	36 x 36
A-48P36W	CNAI	18719	44	1	48 x 36
A-48P48W	CNAI	18720	56	1	48 x 48
A-60P60W	CNAI	21952	88	1	60 x 60

Please consult serving utility for their requirements prior to ordering or installing, as specifications and approvals vary by utility, and may require local electrical inspector approval. All installations must be installed by a licensed electrician and must comply with all national and local codes, laws and regulations. Milbank reserves the right to make changes in specifications and features shown without notice or obligation.





### Application

- For use in electrical enclosures for mounting electronic controls and equipment.

### Construction

- Steel panels are 16- or 12-gauge steel and have a white finish.
- Wood back panels are made from ¾-inch 7-ply plywood.
- Panel-mounting hardware is furnished with all enclosures that accept these panels.
- No mounting holes in boards

### Finish

- Painted white (steel)
- Unpainted (wood)

### Accessories

- Touch-up paint: see Accessories, pg. 50.

Catalog Number	Product Family	UPC # 7-84572-	Weight (lbs)	Carton Qty	H x W
<b>Steel (used with LC1 and JIC)</b>					
A-66SBP	IIAC	17412	0.25	1	6 x 6
A-86SBP	IIAC	17411	0.44	1	8 x 6
A-88SBP	IIAC	17410	0.58	1	8 x 8
A-108SBP	IIAC	17223	1.3	1	10 x 8
A-1010SBP	IIAC	17409	1.6	1	10 x 10
A-1210SBP	IIAC	17408	2	1	12 x 10
A-1212SBP	IIAC	17107	2.5	1	12 x 12
A-1612SBP	IIAC	18959	2.9	1	16 x 12
A-1616SBP	IIAC	18961	3.7	1	16 x 16
A-1818SBP	IIAC	17210	4.9	1	18 x 18
A-2012SBP	IIAC	18960	3.5	1	20 x 12
A-2016SBP	IIAC	19381	4.1	1	20 x 16
A-2020SBP	IIAC	29002	9.8	1	20 x 20
A-2420SBP	IIAC	17405	16.1	1	24 x 20
A-2424SBP	IIAC	18912	16.5	1	24 x 24
A-3024SBP	IIAC	18914	18	1	30 x 24
A-3030SBP	IIAC	32002	20	1	30 x 30
A-3624SBP	IIAC	18913	22	1	36 x 24
A-3630SBP	IIAC	28868	24	1	36 x 30

Catalog Number	Product Family	UPC # 7-84572-	Weight (lbs)	Carton Qty	H x W
<b>Wood (used with HC1, SC1, SC3R, HC3R)</b>					
88WB	CNAC	10998	0.5	1	8 x 8
812WB	CNAC	10907	0.75	1	8 x 12
1010WB	CNAC	10061	0.8	1	10 x 10
1012WB	CNAC	10080	1	1	10 x 12
1212WB	CNAC	10174	1.5	1	12 x 12
1218WB	CNAC	10224	2	1	12 x 18
1224WB	CNAC	10243	2.8	1	12 x 24
1818WB	CNAC	10327	3.5	1	18 x 18
1824WB	CNAC	10352	4	1	18 x 24
2424WB	CNAC	10444	6.8	1	24 x 24
2430WB	CNAC	10466	8.5	1	24 x 30
2436WB	CNAC	10491	10.3	1	24 x 36
2448WB	CNAC	10503	14	1	24 x 48
3036WB	CNAC	10551	13.3	1	30 x 36
3636WB	CNAC	10605	16	1	36 x 36
3648WB	CNAC	10620	21.5	1	36 x 48
4848WB	CNAC	10739	29.3	1	48 x 48

### Note

Do not use wood panels with LC1 enclosures.



Please consult serving utility for their requirements prior to ordering or installing, as specifications and approvals vary by utility, and may require local electrical inspector approval. All installations must be installed by a licensed electrician and must comply with all national and local codes, laws and regulations. Milbank reserves the right to make changes in specifications and features shown without notice or obligation.

# GSC1 Lay-In Wireway

## Type 1

### Industry Standards

- NEMA Type 1
- UL 870 Type 1
- CUL Type 1 (equivalent to CSA)

### Application

- Designed to allow long interrupted runs of electrical wiring in applications where moisture and dust are not a problem.
- All straight sections and fittings are completely open on one side so wires can be laid into the wireway.

### Construction

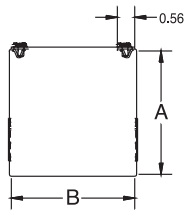
- Wireway and cover are manufactured from code gauge steel.
- Available with or without knockouts. For no knockouts, refer to suffix **-NK** in catalog number.
- Available with or without paint. For no paint, refer to suffix **-NP** in catalog number.
- Covers incorporate teardrop slots for easy installation and are attached with plated steel screws.
- Available in six standard sizes (in inches): 2.5 x 2.5, 4 x 4, 6 x 6, 8 x 8, 10 x 10 and 12 x 12.
- Wide range of fittings allows for change of direction, junctions, terminations as well as transitions from competitors' products.

### Finish

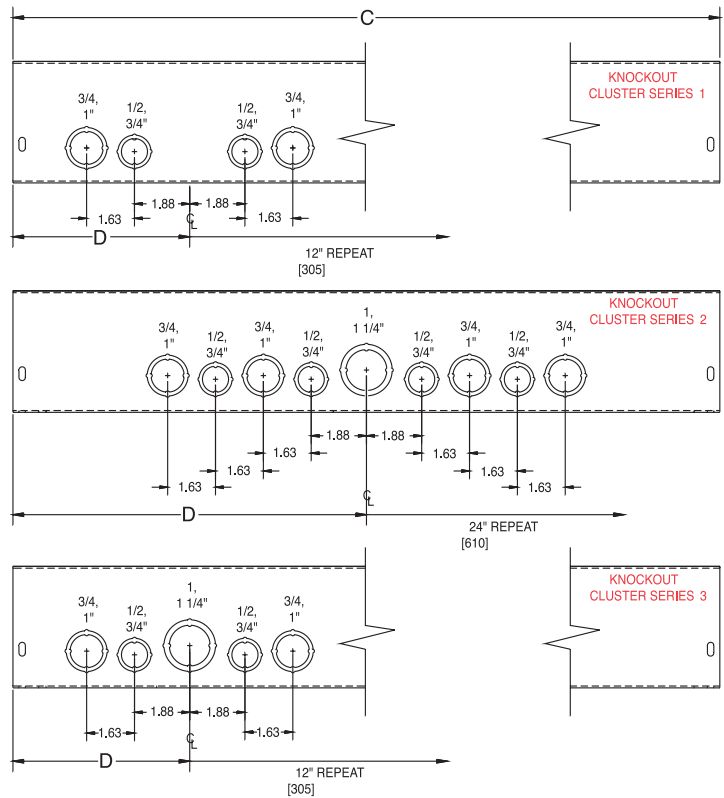
- ANSI 61 gray polyester powder paint coating.

### Accessories

- Replacement covers: see pg. 34.
- Touch-up paint: see Accessories, pg. 50.
- Barrier kit: see Accessories, pg. 50.



SCREW COVER — GSC1



Catalog Number	Product Family	UPC Number 7-84572-	Weight (lbs)	Carton Qty	H x D x L	KO Clusters per Side	Number of Clusters
2212-GSC1	GSC1	26598	2.5	4	2.5 x 2.5 x 12	Series 1	1
2212-GSC1-NK	GSC1	26573	2.5	4	2.5 x 2.5 x 12	None	None
2212-GSC1-NK-NP	GSC1	26599	2.5	4	2.5 x 2.5 x 12	None	None
2218-GSC1	GSC1	26600	3.6	4	2.5 x 2.5 x 18	Series 1	1
2218-GSC1-NK	GSC1	26601	3.6	4	2.5 x 2.5 x 18	None	None
2218-GSC1-NK-NP	GSC1	26602	3.6	4	2.5 x 2.5 x 18	None	None
2218-GSC1-NP	GSC1	26621	3.6	4	2.5 x 2.5 x 18	Series 1	1
2224-GSC1	GSC1	26574	5	4	2.5 x 2.5 x 24	Series 1	2

Please consult serving utility for their requirements prior to ordering or installing, as specifications and approvals vary by utility, and may require local electrical inspector approval. All installations must be installed by a licensed electrician and must comply with all national and local codes, laws and regulations. Milbank reserves the right to make changes in specifications and features shown without notice or obligation.



Catalog Number	Product Family	UPC Number 7-84572-	Weight (lbs)	Carton Qty	H x D x L	KO Clusters per Side	Number of Clusters
2224-GSC1-NK	GSC1	26603	5	4	2.5 x 2.5 x 24	None	None
2224-GSC1-NK-NP	GSC1	26604	5	4	2.5 x 2.5 x 24	None	None
2236-GSC1	GSC1	26605	7	4	2.5 x 2.5 x 36	Series 1	3
2236-GSC1-NK	GSC1	26606	7	4	2.5 x 2.5 x 36	None	None
2248-GSC1	GSC1	26608	10	4	2.5 x 2.5 x 48	Series 1	4
2248-GSC1-NK	GSC1	26609	10	4	2.5 x 2.5 x 48	None	None
2260-GSC1	GSC1	26611	12	4	2.5 x 2.5 x 60	Series 1	5
2260-GSC1-NK	GSC1	26612	12	4	2.5 x 2.5 x 60	None	None
2272-GSC1	GSC1	26614	14	4	2.5 x 2.5 x 72	Series 1	6
2272-GSC1-NK	GSC1	26615	14	4	2.5 x 2.5 x 72	None	None
2272-GSC1-NK-NP	GSC1	26616	14	4	2.5 x 2.5 x 72	None	None
2296-GSC1-NK	GSC1	26782	19	4	2.5 x 2.5 x 96	None	None
22120-GSC1	GSC1	26617	25	4	2.5 x 2.5 x 120	Series 1	10
22120-GSC1-NK	GSC1	26618	25	4	2.5 x 2.5 x 120	None	None
22120-GSC1-NK-NP	GSC1	26619	25	4	2.5 x 2.5 x 120	None	None
4412-GSC1	GSC1	10627	3.8	4	4 x 4 x 12	Series 3	1
4412-GSC1-NK	GSC1	10628	3.8	4	4 x 4 x 12	None	None
4412-GSC1-NK-NP	GSC1	15479	3.8	4	4 x 4 x 12	None	None
4418-GSC1	GSC1	10635	5.5	4	4 x 4 x 18	Series 2	1
4418-GSC1-NK	GSC1	10636	5.5	4	4 x 4 x 18	None	None
4418-GSC1-NK-NP	GSC1	21069	5.5	4	4 x 4 x 18	None	None
4424-GSC1	GSC1	10640	7	4	4 x 4 x 24	Series 2	1
4424-GSC1-NK	GSC1	10641	7	4	4 x 4 x 24	None	None
4424-GSC1-NK-NP	GSC1	15481	7	4	4 x 4 x 24	None	None
4436-GSC1	GSC1	10646	7.8	4	4 x 4 x 36	Series 3	3
4436-GSC1-NK	GSC1	10647	7.8	4	4 x 4 x 36	None	None
4436-GSC1-NK-NP	GSC1	15482	7.8	4	4 x 4 x 36	None	None
4448-GSC1	GSC1	10658	14	4	4 x 4 x 48	Series 2	2
4448-GSC1-NK	GSC1	10659	14	4	4 x 4 x 48	None	None
4448-GSC1-NK-NP	GSC1	15485	14	4	4 x 4 x 48	None	None
4460-GSC1	GSC1	10664	17.5	4	4 x 4 x 60	Series 3	5
4460-GSC1-NK	GSC1	10665	17.5	4	4 x 4 x 60	None	None
4460-GSC1-NK-NP	GSC1	15486	17.5	4	4 x 4 x 60	None	None
4472-GSC1	GSC1	10669	20.8	4	4 x 4 x 72	Series 2	3
4472-GSC1-NK	GSC1	10670	20.8	4	4 x 4 x 72	None	None
4472-GSC1-NK-NP	GSC1	15487	20.8	4	4 x 4 x 72	None	None
4496-GSC1	GSC1	26542	27.5	2	4 x 4 x 96	Series 2	4
4496-GSC1-NK	GSC1	28677	27.5	2	4 x 4 x 96	None	None
44120-GSC1	GSC1	10633	35	2	4 x 4 x 120	Series 2	6
44120-GSC1-NK	GSC1	10634	35	2	4 x 4 x 120	None	None
44120-GSC1-NK-NP	GSC1	15480	35	2	4 x 4 x 120	None	None
6612-GSC1	GSC1	10772	5	2	6 x 6 x 12	Series 3	1
6612-GSC1-NK	GSC1	10773	5	2	6 x 6 x 12	None	None
6612-GSC1-NK-NP	GSC1	15491	5	2	6 x 6 x 12	None	None
6618-GSC1	GSC1	10780	8	2	6 x 6 x 18	Series 2	1
6618-GSC1-NK	GSC1	10781	8	2	6 x 6 x 18	None	None
6618-GSC1-NK-NP	GSC1	21070	8	2	6 x 6 x 18	None	None
6624-GSC1	GSC1	10786	10.5	2	6 x 6 x 24	Series 2	1
6624-GSC1-NK	GSC1	10787	10.5	2	6 x 6 x 24	None	None
6624-GSC1-NK-NP	GSC1	15493	10.5	2	6 x 6 x 24	None	None
6636-GSC1	GSC1	10794	16.5	2	6 x 6 x 36	Series 3	3
6636-GSC1-NK	GSC1	10795	16.5	2	6 x 6 x 36	None	None
6636-GSC1-NK-NP	GSC1	15494	16.5	2	6 x 6 x 36	None	None
6648-GSC1	GSC1	10813	21	2	6 x 6 x 48	Series 2	2
6648-GSC1-NK	GSC1	10814	21	2	6 x 6 x 48	None	None
6648-GSC1-NK-NP	GSC1	15496	21	2	6 x 6 x 48	None	None
6660-GSC1	GSC1	10824	25.5	2	6 x 6 x 60	Series 3	5
6660-GSC1-NK	GSC1	10825	25.5	2	6 x 6 x 60	None	None
6660-GSC1-NK-NP	GSC1	15497	25.5	2	6 x 6 x 60	None	None



Please consult serving utility for their requirements prior to ordering or installing, as specifications and approvals vary by utility, and may require local electrical inspector approval. All installations must be installed by a licensed electrician and must comply with all national and local codes, laws and regulations. Milbank reserves the right to make changes in specifications and features shown without notice or obligation.



# GSC1 Lay-In Wireway

## Type 1

Catalog Number	Product Family	UPC Number 7-84572-	Weight (lbs)	Carton Qty	H x D x L	KO Clusters per Side	Number of Clusters
6672-GSC1	GSC1	10828	30.5	2	6 x 6 x 72	Series 2	3
6672-GSC1-NK	GSC1	10829	30.5	2	6 x 6 x 72	None	None
6672-GSC1-NK-NP	GSC1	15498	30.5	2	6 x 6 x 72	None	None
6696-GSC1	GSC1	27610	40.2	1	6 x 6 x 96	Series 2	4
6696-GSC1-NK	GSC1	31180	40.2	1	6 x 6 x 96	None	None
6696-GSC1-NK-NP	GSC1	31181	40.2	1	6 x 6 x 96	None	None
6696-GSC1-NP	GSC1	32345	40.2	1	6 x 6 x 96	Series 2	4
66120-GSC1	GSC1	10778	55	1	6 x 6 x 120	Series 2	6
66120-GSC1-NK	GSC1	10779	55	1	6 x 6 x 120	None	None
66120-GSC1-NK-NP	GSC1	15492	55	1	6 x 6 x 120	None	None
66120-GSC1-NP	GSC1	32346	55	1	6 x 6 x 120	Series 2	6
8812-GSC1	GSC1	10916	8	1	8 x 8 x 12	Series 3	1
8812-GSC1-NK	GSC1	10917	8	1	8 x 8 x 12	None	None
8812-GSC1-NK-NP	GSC1	15501	8	1	8 x 8 x 12	None	None
8818-GSC1	GSC1	10922	18	1	8 x 8 x 18	Series 2	1
8818-GSC1-NK	GSC1	19154	18	1	8 x 8 x 18	None	None
8824-GSC1	GSC1	10925	13	1	8 x 8 x 24	Series 2	1
8824-GSC1-NK	GSC1	10926	13	1	8 x 8 x 24	None	None
8824-GSC1-NK-NP	GSC1	15503	13	1	8 x 8 x 24	None	None
8836-GSC1	GSC1	10931	20	1	8 x 8 x 36	Series 3	3
8836-GSC1-NK	GSC1	10932	20	1	8 x 8 x 36	None	None
8836-GSC1-NK-NP	GSC1	15504	20	1	8 x 8 x 36	None	None
8848-GSC1	GSC1	10949	33	1	8 x 8 x 48	Series 2	2
8848-GSC1-NK	GSC1	10950	33	1	8 x 8 x 48	None	None
8848-GSC1-NK-NP	GSC1	15506	33	1	8 x 8 x 48	None	None
8860-GSC1	GSC1	10963	35	1	8 x 8 x 60	Series 3	5
8860-GSC1-NK	GSC1	10964	35	1	8 x 8 x 60	None	None
8860-GSC1-NK-NP	GSC1	15507	35	1	8 x 8 x 60	None	None
8872-GSC1	GSC1	10967	40	1	8 x 8 x 72	Series 2	3
8872-GSC1-NK	GSC1	10968	40	1	8 x 8 x 72	None	None
8872-GSC1-NK-NP	GSC1	15508	40	1	8 x 8 x 72	None	None
8896-GSC1	GSC1	21348	53.3	1	8 x 8 x 96	Series 2	4
8896-GSC1-NK	GSC1	21347	53.3	1	8 x 8 x 96	None	None
8896-GSC1-NK-NP	GSC1	21346	53.3	1	8 x 8 x 96	None	None
88120-GSC1	GSC1	10920	83.6	1	8 x 8 x 120	Series 2	6
88120-GSC1-NK	GSC1	10921	83.6	1	8 x 8 x 120	None	None
88120-GSC1-NK-NP	GSC1	15502	83.6	1	8 x 8 x 120	None	None
101012-GSC1	GSC1	10004	9	1	10 x 10 x 12	Series 3	1
101012-GSC1-NK	GSC1	15704	9	1	10 x 10 x 12	None	None
101012-GSC1-NK-NP	GSC1	19317	9	1	10 x 10 x 12	None	None
101024-GSC1	GSC1	10006	17	1	10 x 10 x 24	Series 2	1
101024-GSC1-NK	GSC1	10007	17	1	10 x 10 x 24	None	None
101024-GSC1-NK-NP	GSC1	19316	17	1	10 x 10 x 24	None	None
101036-GSC1	GSC1	10009	25	1	10 x 10 x 36	Series 3	3
101036-GSC1-NK	GSC1	10010	25	1	10 x 10 x 36	None	None
101036-GSC1-NK-NP	GSC1	15454	25	1	10 x 10 x 36	None	None
101048-GSC1	GSC1	10024	34	1	10 x 10 x 48	Series 2	2
101048-GSC1-NK	GSC1	10025	34	1	10 x 10 x 48	None	None
101048-GSC1-NK-NP	GSC1	15455	34	1	10 x 10 x 48	None	None
101060-GSC1	GSC1	10037	42	1	10 x 10 x 60	Series 3	5
101060-GSC1-NK	GSC1	10038	42	1	10 x 10 x 60	None	None
101060-GSC1-NK-NP	GSC1	15458	42	1	10 x 10 x 60	None	None
101072-GSC1	GSC1	10041	50	1	10 x 10 x 72	Series 2	3
101072-GSC1-NK	GSC1	10042	50	1	10 x 10 x 72	None	None
101072-GSC1-NK-NP	GSC1	15459	50	1	10 x 10 x 72	None	None
101096-GSC1	GSC1	24664	71	1	10 x 10 x 96	Series 2	4
101096-GSC1-NK	GSC1	26911	71	1	10 x 10 x 96	None	None
101096-GSC1-NK-NP	GSC1	24600	71	1	10 x 10 x 96	None	None
1010120-GSC1	GSC1	19100	80	1	10 x 10 x 120	Series 2	6

Please consult serving utility for their requirements prior to ordering or installing, as specifications and approvals vary by utility, and may require local electrical inspector approval. All installations must be installed by a licensed electrician and must comply with all national and local codes, laws and regulations. Milbank reserves the right to make changes in specifications and features shown without notice or obligation.



Catalog Number	Product Family	UPC Number 7-84572-	Weight (lbs)	Carton Qty	H x D x L	KO Clusters per Side	Number of Clusters
1010120-GSC1-NK	GSC1	24933	80	1	10 x 10 x 120	None	None
1010120-GSC1-NK-NP	GSC1	32347	80	1	10 x 10 x 120	None	None
121212-GSC1	GSC1	10100	10	1	12 x 12 x 12	Series 3	1
121212-GSC1-NK	GSC1	10101	10	1	12 x 12 x 12	None	None
121212-GSC1-NK-NP	GSC1	15462	10	1	12 x 12 x 12	None	None
121224-GSC1	GSC1	10102	25	1	12 x 12 x 24	Series 2	1
121224-GSC1-NK	GSC1	10103	25	1	12 x 12 x 24	None	None
121224-GSC1-NK-NP	GSC1	15463	25	1	12 x 12 x 24	None	None
121236-GSC1	GSC1	10106	37	1	12 x 12 x 36	Series 3	3
121236-GSC1-NK	GSC1	10107	37	1	12 x 12 x 36	None	None
121236-GSC1-NK-NP	GSC1	15464	37	1	12 x 12 x 36	None	None
121248-GSC1	GSC1	10125	48	1	12 x 12 x 48	Series 2	2
121248-GSC1-NK	GSC1	10126	48	1	12 x 12 x 48	None	None
121248-GSC1-NK-NP	GSC1	15466	48	1	12 x 12 x 48	None	None
121260-GSC1	GSC1	10145	50	1	12 x 12 x 60	Series 3	5
121260-GSC1-NK	GSC1	10146	50	1	12 x 12 x 60	None	None
121260-GSC1-NK-NP	GSC1	15468	50	1	12 x 12 x 60	None	None
121272-GSC1	GSC1	10149	71	1	12 x 12 x 72	Series 2	3
121272-GSC1-NK	GSC1	10150	71	1	12 x 12 x 72	None	None
121272-GSC1-NK-NP	GSC1	20932	71	1	12 x 12 x 72	None	None
121296-GSC1	GSC1	24665	99	1	12 x 12 x 96	Series 2	4
121296-GSC1-NK	GSC1	27284	99	1	12 x 12 x 96	None	None
121296-GSC1-NK-NP	GSC1	24658	99	1	12 x 12 x 96	None	None
1212120-GSC1	GSC1	24705	120	1	12 x 12 x 120	Series 2	6
1212120-GSC1-NK	GSC1	24706	120	1	12 x 12 x 120	None	None
1212120-GSC1-NK-NP	GSC1	24707	120	1	12 x 12 x 120	None	None
1212120-GSC1-NP	GSC1	24708	120	1	12 x 12 x 120	Series 2	6
<b>COVERS</b>							
4X12GSC1	CNAC	10742	0.75	1	4 x 12		
4X18GSC1	CNAC	10743	1.1	1	4 x 18		
4X24GSC1	CNAC	10744	1.4	1	4 x 24		
4X36GSC1	CNAC	10745	2	1	4 x 36		
4X48GSC1	CNAC	10746	2.6	1	4 x 48		
4X60GSC1	CNAC	10747	3.2	1	4 x 60		
4X72GSC1	CNAC	10748	3.8	1	4 x 72		
6X12GSC1	CNAC	10869	1	1	6 x 12		
6X18GSC1	CNAC	15356	1.5	1	6 x 18		
6X24GSC1	CNAC	10870	2	1	6 x 24		
6X36GSC1	CNAC	10871	3	1	6 x 36		
6X48GSC1	CNAC	10873	4	1	6 x 48		
6X60GSC1	CNAC	10874	5	1	6 x 60		
6X72GSC1	CNAC	10875	6	1	6 x 72		
8X12GSC1	CNAC	11002	1.3	1	8 x 12		
8X18GSC1	CNAC	17266	1.9	1	8 x 18		
8X24GSC1	CNAC	11003	2.5	1	8 x 24		
8X36GSC1	CNAC	11004	3.7	1	8 x 36		
8X48GSC1	CNAC	11005	5	1	8 x 48		
8X60GSC1	CNAC	11006	6.2	1	8 x 60		
8X72GSC1	CNAC	20901	7.4	1	8 x 72		
10X12GSC1	CNAC	19597	1.5	1	10 x 12		
10X24GSC1	CNAC	10087	3	1	10 x 24		
10X36GSC1	CNAC	10088	4.5	1	10 x 36		
10X48GSC1	CNAC	10089	6	1	10 x 48		
10X60GSC1	CNAC	10090	7.5	1	10 x 60		
12X24GSC1	CNAC	10253	3.6	1	12 x 24		
12X36GSC1	CNAC	10254	5.4	1	12 x 36		
12X48GSC1	CNAC	10255	7.2	1	12 x 48		
12X60GSC1	CNAC	10256	9	1	12 x 60		
12X72GSC1	CNAC	10257	10.8	1	12 x 72		



Please consult serving utility for their requirements prior to ordering or installing, as specifications and approvals vary by utility, and may require local electrical inspector approval. All installations must be installed by a licensed electrician and must comply with all national and local codes, laws and regulations. Milbank reserves the right to make changes in specifications and features shown without notice or obligation.

# GHC1 Lay-In Wireway

## Type 1

### Industry Standards

- NEMA Type 1
- UL 870 Type 1
- CUL Type 1 (equivalent to CSA)

### Application

- Designed to allow long uninterrupted runs of electrical wiring in applications where moisture and dust are not a problem.
- All straight sections and fittings are completely open on one side so wires can be laid into the wireway.

### Construction

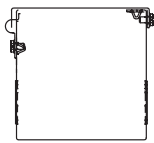
- Wireway and cover are manufactured from code gauge steel.
- Available with or without knockouts. For no knockouts, refer to suffix **-NK** in catalog number.
- Available with or without paint. For no paint, refer to suffix **-NP** in catalog number.
- Covers incorporate teardrop slots for easy installation and are attached with plated steel screws.
- Available in seven standard sizes (in inches): 2.5 x 2.5, 4 x 4, 4 x 6, 6 x 6, 8 x 8, 10 x 10 and 12 x 12.
- Wide range of fittings allows for change of direction, junctions, terminations as well as transitions from competitors' products.

### Finish

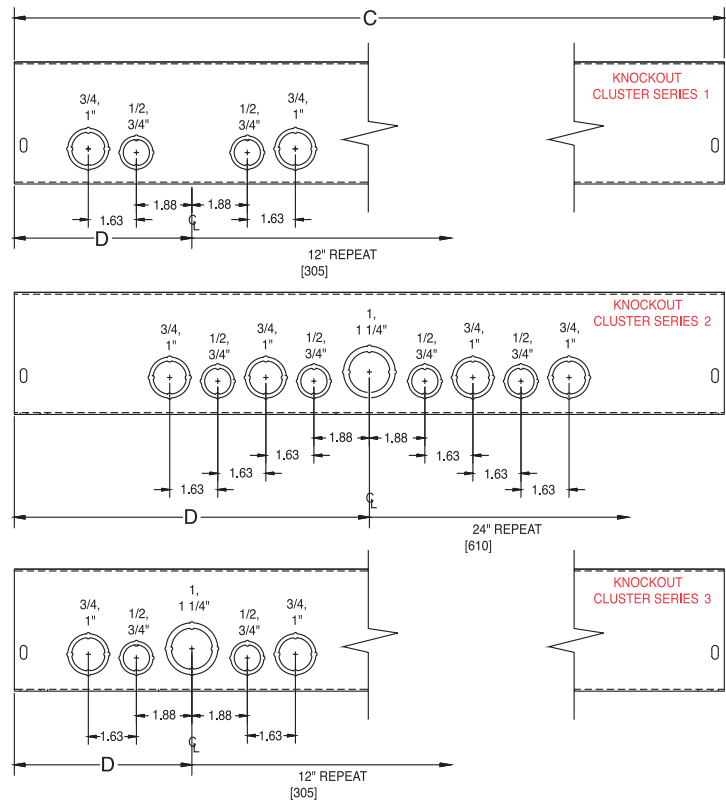
- ANSI 61 gray polyester powder paint coating.

### Accessories

- Touch-up paint: see Accessories, pg. 50.
- Barrier kit: see Accessories, pg. 50.



HINGE COVER — GHC1



Catalog Number	Product Family	UPC Number 7-84572-	Weight (lbs)	Carton Qty	H x D x L	KO Clusters per Side	Number of Clusters
2212-GHC1	GHC1	26572	2.5	4	2.5 x 2.5 x 12	Series 1	1
2212-GHC1-NK	GHC1	26576	2.5	4	2.5 x 2.5 x 12	None	None
2212-GHC1-NK-NP	GHC1	26587	2.5	4	2.5 x 2.5 x 12	None	None
2218-GHC1	GHC1	26801	3.6	4	2.5 x 2.5 x 18	Series 1	1
2218-GHC1-NK-NP	GHC1	26810	3.6	4	2.5 x 2.5 x 18	None	None
2224-GHC1	GHC1	26577	5	4	2.5 x 2.5 x 24	Series 1	2
2224-GHC1-NK	GHC1	26575	5	4	2.5 x 2.5 x 24	None	None
2236-GHC1	GHC1	26578	7	4	2.5 x 2.5 x 36	Series 1	3
2236-GHC1-NK	GHC1	32349	7	4	2.5 x 2.5 x 36	None	None

Please consult serving utility for their requirements prior to ordering or installing, as specifications and approvals vary by utility, and may require local electrical inspector approval. All installations must be installed by a licensed electrician and must comply with all national and local codes, laws and regulations. Milbank reserves the right to make changes in specifications and features shown without notice or obligation.



Catalog Number	Product Family	UPC Number 7-84572-	Weight (lbs)	Carton Qty	H x D x L	KO Clusters per Side	Number of Clusters
2236-GHC1-NK-NP	GHC1	26591	7	4	2.5 x 2.5 x 36	None	None
2248-GHC1	GHC1	26580	10	4	2.5 x 2.5 x 48	Series 1	4
2248-GHC1-NK	GHC1	26581	10	4	2.5 x 2.5 x 48	None	None
2260-GHC1	GHC1	26582	12	4	2.5 x 2.5 x 60	Series 1	5
2260-GHC1-NK	GHC1	26583	12	4	2.5 x 2.5 x 60	None	None
2272-GHC1	GHC1	26802	14	4	2.5 x 2.5 x 72	Series 1	6
2272-GHC1-NK	GHC1	26805	14	4	2.5 x 2.5 x 72	None	None
2296-GHC1-NK	GHC1	26806	19	4	2.5 x 2.5 x 96	None	None
22120-GHC1	GHC1	26584	25	4	2.5 x 2.5 x 120	Series 1	10
22120-GHC1-NK	GHC1	26585	25	4	2.5 x 2.5 x 120	None	None
4412-GHC1	GHC1	10625	3.5	4	4 x 4 x 12	Series 3	1
4412-GHC1-NK	GHC1	10626	3.5	4	4 x 4 x 12	None	None
4424-GHC1	GHC1	10638	7.3	4	4 x 4 x 24	Series 2	1
4424-GHC1-NK	GHC1	10639	7.3	4	4 x 4 x 24	None	None
4436-GHC1	GHC1	10644	10.8	4	4 x 4 x 36	Series 3	3
4436-GHC1-NK	GHC1	10645	10.8	4	4 x 4 x 36	None	None
4448-GHC1	GHC1	10656	14	4	4 x 4 x 48	Series 2	2
4448-GHC1-NK	GHC1	10657	14	4	4 x 4 x 48	None	None
4460-GHC1	GHC1	10662	17.5	4	4 x 4 x 60	Series 3	5
4460-GHC1-NK	GHC1	10663	17.5	4	4 x 4 x 60	None	None
4472-GHC1-NK	GHC1	27373	20.8	4	4 x 4 x 72	None	None
4496-GHC1-NK	GHC1	28961	27.5	4	4 x 4 x 96	None	None
44120-GHC1	GHC1	10631	35.5	2	4 x 4 x 120	Series 2	6
44120-GHC1-NK	GHC1	10632	35.5	2	4 x 4 x 120	None	None
6612-GHC1	GHC1	10770	6	2	6 x 6 x 12	Series 3	1
6612-GHC1-NK	GHC1	10771	6	2	6 x 6 x 12	None	None
6612-GHC1-NP	GHC1	32350	6	2	6 x 6 x 12	Series 3	1
6624-GHC1	GHC1	10784	10.5	2	6 x 6 x 24	Series 2	1
6624-GHC1-NK	GHC1	10785	10.5	2	6 x 6 x 24	None	None
6636-GHC1	GHC1	10792	16.5	2	6 x 6 x 36	Series 3	3
6636-GHC1-NK	GHC1	10793	16.5	2	6 x 6 x 36	None	None
6648-GHC1	GHC1	10811	21.5	2	6 x 6 x 48	Series 2	2
6648-GHC1-NK	GHC1	10812	21.5	2	6 x 6 x 48	None	None
6648-GHC1-NP	GHC1	32351	21.5	2	6 x 6 x 48	Series 2	2
6660-GHC1	GHC1	10823	27	2	6 x 6 x 60	Series 3	5
6660-GHC1-NK	GHC1	18647	27	2	6 x 6 x 60	None	None
6660-GHC1-NP	GHC1	32352	27	2	6 x 6 x 60	Series 3	5
6672-GHC1	GHC1	28944	32	2	6 x 6 x 72	Series 2	3
6672-GHC1-NK	GHC1	28954	32	2	6 x 6 x 72	None	None
66120-GHC1	GHC1	10776	57	1	6 x 6 x 120	Series 2	6
66120-GHC1-NK	GHC1	10777	57	1	6 x 6 x 120	None	None
66120-GHC1-NK-NP	GHC1	23372	57	1	6 x 6 x 120	None	None
66120-GHC1-NP	GHC1	32353	57	1	6 x 6 x 120	Series 2	6
8812-GHC1	GHC1	10914	8.5	1	8 x 8 x 12	Series 3	1
8812-GHC1-NK	GHC1	10915	8.5	1	8 x 8 x 12	None	None
8818-GHC1-NK	GHC1	28965	11.6	1	8 x 8 x 18	None	None
8824-GHC1	GHC1	10924	14	1	8 x 8 x 24	Series 2	1
8824-GHC1-NK	GHC1	17655	14	1	8 x 8 x 24	None	None
8836-GHC1	GHC1	10929	21	1	8 x 8 x 36	Series 3	3



Please consult serving utility for their requirements prior to ordering or installing, as specifications and approvals vary by utility, and may require local electrical inspector approval. All installations must be installed by a licensed electrician and must comply with all national and local codes, laws and regulations. Milbank reserves the right to make changes in specifications and features shown without notice or obligation.

# GHC1 Lay-In Wireway

## Type 1

Catalog Number	Product Family	UPC Number 7-84572-	Weight (lbs)	Carton Qty	H x D x L	KO Clusters per Side	Number of Clusters
8836-GHC1-NK	GHC1	10930	21	1	8 x 8 x 36	None	None
8848-GHC1	GHC1	10947	28	1	8 x 8 x 48	Series 2	2
8848-GHC1-NK	GHC1	10948	28	1	8 x 8 x 48	None	None
8860-GHC1	GHC1	10960	35	1	8 x 8 x 60	Series 3	5
8860-GHC1-NK	GHC1	10961	35	1	8 x 8 x 60	None	None
8872-GHC1	GHC1	28946	40	1	8 x 8 x 72	Series 2	3
8872-GHC1-NK	GHC1	28947	40	1	8 x 8 x 72	None	None
88120-GHC1	GHC1	10919	69	1	8 x 8 x 120	Series 2	6
88120-GHC1-NK	GHC1	15705	69	1	8 x 8 x 120	None	None
101012-GHC1-NK	GHC1	28166	12	1	10 x 10 x 12	None	None
101024-GHC1-NK	GHC1	27094	20.4	1	10 x 10 x 24	None	None
101036-GHC1-NK	GHC1	27093	25	1	10 x 10 x 36	None	None
101048-GHC1-NK	GHC1	27092	43.4	1	10 x 10 x 48	None	None
101060-GHC1	GHC1	15880	49	1	10 x 10 x 60	Series 3	5
101060-GHC1-NK	GHC1	27091	49	1	10 x 10 x 60	None	None
101072-GHC1	GHC1	27962	58	1	10 x 10 x 72	Series 2	3
101096-GHC1-NK	GHC1	32012	76	1	10 x 10 x 96	None	None
1010120-GHC1-NK	GHC1	17625	90	1	10 x 10 x 120	None	None
121224-GHC1	GHC1	32354	25.2	1	12 x 12 x 24	Series 2	1
121224-GHC1-NK	GHC1	27090	25.2	1	12 x 12 x 24	None	None
121236-GHC1-NK	GHC1	27089	37.4	1	12 x 12 x 36	None	None
121236-GHC1-NK-NP	GHC1	32355	37.4	1	12 x 12 x 36	None	None
121248-GHC1-NK	GHC1	27088	49	1	12 x 12 x 48	None	None
121260-GHC1	GHC1	15881	58	1	12 x 12 x 60	Series 3	5
121260-GHC1-NK	GHC1	27087	58	1	12 x 12 x 60	None	None
121260-GHC1-NK-NP	GHC1	32356	58	1	12 x 12 x 60	None	None
121296-GHC1	GHC1	28118	90	1	12 x 12 x 96	Series 2	4
121296-GHC1-NK	GHC1	28119	90	1	12 x 12 x 96	None	None
1212120-GHC1	GHC1	18006	120	1	12 x 12 x 120	Series 2	6
1212120-GHC1-NK	GHC1	24050	120	1	12 x 12 x 120	None	None

Please consult serving utility for their requirements prior to ordering or installing, as specifications and approvals vary by utility, and may require local electrical inspector approval. All installations must be installed by a licensed electrician and must comply with all national and local codes, laws and regulations. Milbank reserves the right to make changes in specifications and features shown without notice or obligation.



### Industry Standards

- NEMA Type 3R
- UL 870 Type 3R
- CUL Type 3R (equivalent to CSA)

### Application

- Designed to protect wiring in outdoor installations against rain, sleet or snow or indoors against dripping water.

### Construction

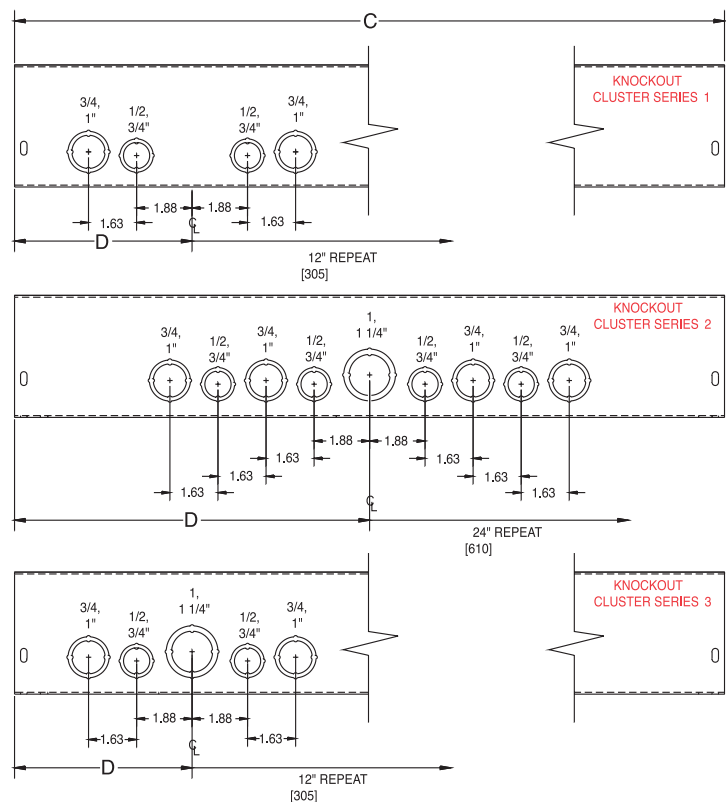
- Trough and cover are manufactured from 16-gauge G90 galvanized steel.
- Cover is designed to fit under the drip shield top and is held in place with plated steel screws.
- Wireway is available with or without concentric knockouts on the bottom. For no knockouts, refer to suffix **-NK** in the catalog number.
- Available with or without paint. For no paint, refer to suffix **-NP** in the catalog number.
- Embossed mounting holes are provided on the backs of the units.
- Sealing eye lance.
- Knockout for key locking cylinder latch.

### Finish

- ANSI 61 gray polyester powder coating over phosphatized G90 galvanized steel.

### Accessories

- Touch-up paint: see Accessories, pg. 50.
- Locks: see Accessories, pg. 49.



**Note**  
These units are UL listed for horizontal runs only.

Catalog Number	Product Family	UPC Number 7-84572-	Weight (lbs)	Carton Qty	H x D x L	Number of Clusters
4412-GSC3R	GS3R	10629	4.5	4	4 x 4 x 12	3
4412-GSC3R-NK	GS3R	10630	4.5	4	4 x 4 x 12	None
4412-GSC3R-NK-NP	GS3R	16177	4.5	4	4 x 4 x 12	None
4418-GSC3R	GS3R	10637	6.5	4	4 x 4 x 18	3
4418-GSC3R-NK	GS3R	21813	6.5	4	4 x 4 x 18	None
4424-GSC3R	GS3R	10642	8.5	4	4 x 4 x 24	3
4424-GSC3R-NK	GS3R	10643	8.5	4	4 x 4 x 24	None



Please consult serving utility for their requirements prior to ordering or installing, as specifications and approvals vary by utility, and may require local electrical inspector approval. All installations must be installed by a licensed electrician and must comply with all national and local codes, laws and regulations. Milbank reserves the right to make changes in specifications and features shown without notice or obligation.

# GSC3R Screw Cover Wiring Trough

39

Type 3R

Catalog Number	Product Family	UPC Number 7-84572-	Weight (lbs)	Carton Qty	H x D x L	Number of Clusters
4424-GSC3R-NK-NP	GS3R	16176	8.5	4	4 x 4 x 24	None
4436-GSC3R	GS3R	10648	12	4	4 x 4 x 36	5
4436-GSC3R-NK	GS3R	10649	12	4	4 x 4 x 36	None
4436-GSC3R-NK-NP	GS3R	16175	12	4	4 x 4 x 36	None
4448-GSC3R	GS3R	10660	15.8	4	4 x 4 x 48	7
4448-GSC3R-NK	GS3R	10661	15.8	4	4 x 4 x 48	None
4448-GSC3R-NK-NP	GS3R	16174	15.8	4	4 x 4 x 48	None
4460-GSC3R	GS3R	10666	19.5	4	4 x 4 x 60	9
4460-GSC3R-NK	GS3R	10667	19.5	4	4 x 4 x 60	None
4460-GSC3R-NK-NP	GS3R	16173	19.5	4	4 x 4 x 60	None
4472-GSC3R	GS3R	10671	23.5	4	4 x 4 x 72	11
4472-GSC3R-NK	GS3R	10672	23.5	4	4 x 4 x 72	None
4472-GSC3R-NK-NP	GS3R	19304	23.5	4	4 x 4 x 72	None
4496-GSC3R	GS3R	21984	31.1	2	4 x 4 x 96	15
44120-GSC3R	GS3R	21985	38.7	2	4 x 4 x 120	19
6612-GSC3R	GS3R	10774	7	2	6 x 6 x 12	3
6612-GSC3R-NK	GS3R	10775	7	2	6 x 6 x 12	None
6612-GSC3R-NK-NP	GS3R	17550	7	2	6 x 6 x 12	None
6618-GSC3R	GS3R	10782	10	2	6 x 6 x 18	3
6618-GSC3R-NK	GS3R	10783	10	2	6 x 6 x 18	None
6618-GSC3R-NK-NP	GS3R	21096	10	2	6 x 6 x 18	None
6624-GSC3R	GS3R	10788	12.5	2	6 x 6 x 24	3
6624-GSC3R-NK	GS3R	10789	12.5	2	6 x 6 x 24	None
6624-GSC3R-NK-NP	GS3R	16172	12.5	2	6 x 6 x 24	None
6636-GSC3R	GS3R	10796	18	2	6 x 6 x 36	5
6636-GSC3R-NK	GS3R	10797	18	2	6 x 6 x 36	None
6636-GSC3R-NK-NP	GS3R	16171	18	2	6 x 6 x 36	None
6648-GSC3R	GS3R	10815	24	2	6 x 6 x 48	7
6648-GSC3R-NK	GS3R	10816	24	2	6 x 6 x 48	None
6648-GSC3R-NK-NP	GS3R	16170	24	2	6 x 6 x 48	None
6660-GSC3R	GS3R	10826	28.5	2	6 x 6 x 60	9
6660-GSC3R-NK	GS3R	10827	28.5	2	6 x 6 x 60	None
6660-GSC3R-NK-NP	GS3R	19303	28.5	2	6 x 6 x 60	None
6672-GSC3R	GS3R	10830	34	2	6 x 6 x 72	11
6672-GSC3R-NK	GS3R	10831	34	2	6 x 6 x 72	None
6672-GSC3R-NK-NP	GS3R	19004	34	2	6 x 6 x 72	None
6696-GSC3R	GS3R	10834	45	1	6 x 6 x 96	15
6696-GSC3R-NK	GS3R	10835	45	1	6 x 6 x 96	None
6696-GSC3R-NK-NP	GS3R	23847	45	1	6 x 6 x 96	None
66120-GSC3R	GS3R	20971	55	1	6 x 6 x 120	19
66120-GSC3R-NK	GS3R	26496	55	1	6 x 6 x 120	None
8812-GSC3R	GS3R	10918	9	1	8 x 8 x 12	3

Please consult serving utility for their requirements prior to ordering or installing, as specifications and approvals vary by utility, and may require local electrical inspector approval. All installations must be installed by a licensed electrician and must comply with all national and local codes, laws and regulations. Milbank reserves the right to make changes in specifications and features shown without notice or obligation.



Catalog Number	Product Family	UPC Number 7-84572-	Weight (lbs)	Carton Qty	H x D x L	Number of Clusters
8812-GSC3R-NK	GS3R	26487	9	1	8 x 8 x 12	None
8812-GSC3R-NK-NP	GS3R	16169	9	1	8 x 8 x 12	None
8818-GSC3R	GS3R	10923	14	1	8 x 8 x 18	3
8818-GSC3R-NK	GS3R	25662	14	1	8 x 8 x 18	None
8818-GSC3R-NK-NP	GS3R	21097	14	1	8 x 8 x 18	None
8824-GSC3R	GS3R	10927	17	1	8 x 8 x 24	3
8824-GSC3R-NK	GS3R	10928	17	1	8 x 8 x 24	None
8824-GSC3R-NK-NP	GS3R	16168	17	1	8 x 8 x 24	None
8836-GSC3R	GS3R	10933	24	1	8 x 8 x 36	5
8836-GSC3R-NK	GS3R	10934	24	1	8 x 8 x 36	None
8836-GSC3R-NK-NP	GS3R	16167	24	1	8 x 8 x 36	None
8848-GSC3R	GS3R	10951	32	1	8 x 8 x 48	7
8848-GSC3R-NK	GS3R	10952	32	1	8 x 8 x 48	None
8848-GSC3R-NK-NP	GS3R	16166	32	1	8 x 8 x 48	None
8860-GSC3R	GS3R	10965	38	1	8 x 8 x 60	9
8860-GSC3R-NK	GS3R	10966	38	1	8 x 8 x 60	None
8860-GSC3R-NK-NP	GS3R	19302	38	1	8 x 8 x 60	None
8872-GSC3R	GS3R	10969	45	1	8 x 8 x 72	11
8872-GSC3R-NK	GS3R	10970	45	1	8 x 8 x 72	None
8872-GSC3R-NK-NP	GS3R	16165	45	1	8 x 8 x 72	None
8896-GSC3R	GS3R	10974	59	1	8 x 8 x 96	15
8896-GSC3R-NK	GS3R	10975	59	1	8 x 8 x 96	None
8896-GSC3R-NK-NP	GS3R	21099	59	1	8 x 8 x 96	None
88120-GSC3R	GS3R	20882	67	1	8 x 8 x 120	19
88120-GSC3R-NK	GS3R	21811	67	1	8 x 8 x 120	None
88120-GSC3R-NK-NP	GS3R	26498	67	1	8 x 8 x 120	None
101024-GSC3R	GS3R	21550	17	1	10 x 10 x 24	3
101024-GSC3R-NK	GS3R	10008	17	1	10 x 10 x 24	None
101024-GSC3R-NK-NP	GS3R	19301	17	1	10 x 10 x 24	None
101036-GSC3R	GS3R	10011	30	1	10 x 10 x 36	5
101036-GSC3R-NK	GS3R	10012	30	1	10 x 10 x 36	None
101036-GSC3R-NK-NP	GS3R	18370	30	1	10 x 10 x 36	None
101048-GSC3R	GS3R	10026	39	1	10 x 10 x 48	7
101048-GSC3R-NK	GS3R	10027	39	1	10 x 10 x 48	None
101048-GSC3R-NK-NP	GS3R	18368	39	1	10 x 10 x 48	None
101060-GSC3R	GS3R	10039	48	1	10 x 10 x 60	9
101060-GSC3R-NK	GS3R	10040	48	1	10 x 10 x 60	None
101060-GSC3R-NK-NP	GS3R	19320	48	1	10 x 10 x 60	None
101072-GSC3R	GS3R	10043	55	1	10 x 10 x 72	11
101072-GSC3R-NK	GS3R	10044	55	1	10 x 10 x 72	None
101072-GSC3R-NK-NP	GS3R	17816	55	1	10 x 10 x 72	None
101096-GSC3R	GS3R	20455	78	1	10 x 10 x 96	15



Please consult serving utility for their requirements prior to ordering or installing, as specifications and approvals vary by utility, and may require local electrical inspector approval. All installations must be installed by a licensed electrician and must comply with all national and local codes, laws and regulations. Milbank reserves the right to make changes in specifications and features shown without notice or obligation.



# GSC3R Screw Cover Wiring Trough

41

Type 3R

Catalog Number	Product Family	UPC Number 7-84572-	Weight (lbs)	Carton Qty	H x D x L	Number of Clusters
101096-GSC3R-NK	GS3R	19985	78	1	10 x 10 x 96	None
101096-GSC3R-NK-NP	GS3R	24662	78	1	10 x 10 x 96	None
1010120-GSC3R	GS3R	21986	97	1	10 x 10 x 120	19
1010120-GSC3R-NK	GS3R	22991	97	1	10 x 10 x 120	None
1010120-GSC3R-NK-NP	GS3R	26499	97	1	10 x 10 x 120	None
1010120-GSC3R-NK-NP	GS3R	26499	97	1	10 x 10 x 120	None
121224-GSC3R	GS3R	10104	26	1	12 x 12 x 24	3
121224-GSC3R-NK	GS3R	10105	26	1	12 x 12 x 24	None
121224-GSC3R-NK-NP	GS3R	19430	26	1	12 x 12 x 24	None
121236-GSC3R	GS3R	10108	43	1	12 x 12 x 36	5
121236-GSC3R-NK	GS3R	10109	43	1	12 x 12 x 36	None
121236-GSC3R-NK-NP	GS3R	17773	43	1	12 x 12 x 36	None
121248-GSC3R	GS3R	10127	47	1	12 x 12 x 48	7
121248-GSC3R-NK	GS3R	10128	47	1	12 x 12 x 48	None
121248-GSC3R-NK-NP	GS3R	19431	47	1	12 x 12 x 48	None
121260-GSC3R	GS3R	10147	57	1	12 x 12 x 60	9
121260-GSC3R-NK	GS3R	10148	57	1	12 x 12 x 60	None
121260-GSC3R-NK-NP	GS3R	18369	57	1	12 x 12 x 60	None
121272-GSC3R	GS3R	10151	67	1	12 x 12 x 72	11
121272-GSC3R-NK	GS3R	10152	67	1	12 x 12 x 72	None
121272-GSC3R-NK-NP	GS3R	19432	67	1	12 x 12 x 72	None
121296-GSC3R	GS3R	16420	88	1	12 x 12 x 96	15
121296-GSC3R-NK	GS3R	16123	88	1	12 x 12 x 96	None
121296-GSC3R-NK-NP	GS3R	24018	88	1	12 x 12 x 96	None
1212120-GSC3R	GS3R	19101	125	1	12 x 12 x 120	19
1212120-GSC3R-NK	GS3R	16122	125	1	12 x 12 x 120	None
1212120-GSC3R-NK-NP	GS3R	26400	125	1	12 x 12 x 120	None
1212144-GSC3R	GS3R	27168	164	1	12 x 12 x 144	None
1212144-GSC3R-NK	GS3R	32357	164	1	12 x 12 x 144	None
1212144-GSC3R-NK-NP	GS3R	31063	164	1	12 x 12 x 144	None

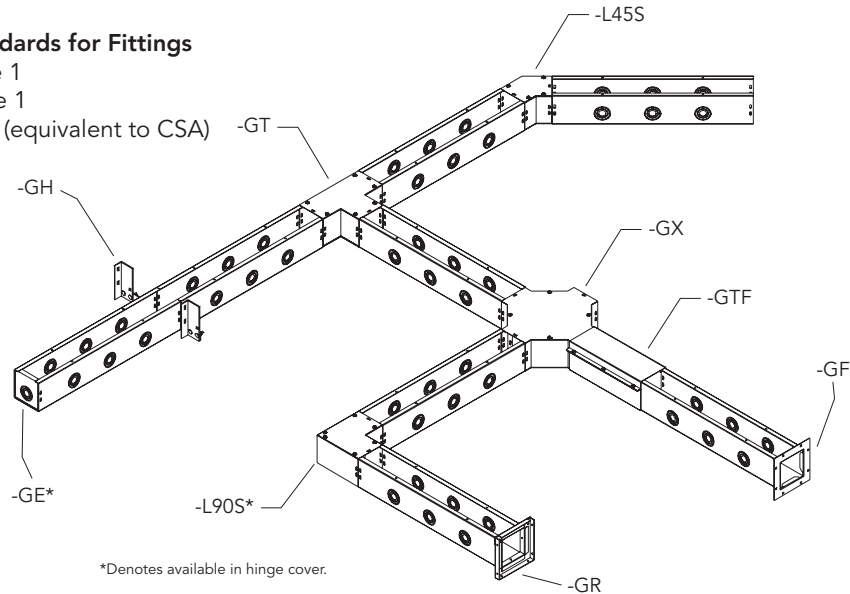
Please consult serving utility for their requirements prior to ordering or installing, as specifications and approvals vary by utility, and may require local electrical inspector approval. All installations must be installed by a licensed electrician and must comply with all national and local codes, laws and regulations. Milbank reserves the right to make changes in specifications and features shown without notice or obligation.



For Use with GSC1 and GHC1 Wireway

### Industry Standards for Fittings

- NEMA Type 1
- UL 870 Type 1
- CUL Type 1 (equivalent to CSA)



\*Denotes available in hinge cover.

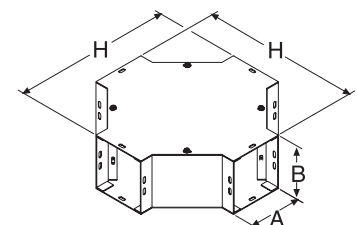
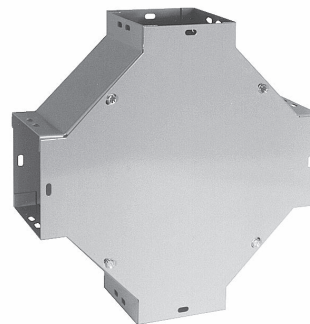
### Dimensions for product drawings on pages 43-48

A x B Inches (mm)	E	F	G	H	J	K	N	P	V	U
3.00 x 3.00 (76 x 76)	5.06 (129)	5.06 (129)	6.06 (154)	11.25 (286)	2.58 (66)	3.20 (81)	11.00 (279)	4.63 (118)	9.00 (229)	4.62 (117)
4.00 x 4.00 (102 x 102)	6.06 (154)	6.06 (154)	7.06 (179)	12.25 (311)	2.80 (71)	3.63 (92)	13.25 (337)	13.25 (337)	10.00 (254)	5.13 (130)
4.00 x 6.00 (102 x 152)	6.06 (154)	8.06 (205)	8.00 (203)	— —	— —	— —	— —	— —	12.00 (305)	5.06 (129)
6.00 x 6.00 (152 x 152)	8.06 (205)	8.06 (205)	10.00 (254)	14.25 (362)	3.21 (82)	4.45 (113)	17.75 (451)	7.63 (194)	14.00 (356)	7.06 (179)
8.00 x 8.00 (203 x 203)	10.06 (306)	10.06 (306)	12.00 (305)	16.25 (413)	3.62 (92)	5.28 (134)	22.25 (565)	9.63 (245)	16.00 (406)	8.06 (205)
10.00 x 10.00 (254 x 254)	12.06 (306)	12.06 (306)	14.00 (356)	18.25 (464)	4.04 (103)	6.11 (155)	25.63 (651)	11.63 (295)	18.00 (457)	9.06 (230)
12.00 x 12.00 (305 x 305)	14.06 (357)	14.06 (357)	16.00 (406)	20.25 (514)	4.42 (112)	6.91 (176)	30.13 (765)	13.63 (346)	20.00 (508)	10.06 (256)

### GX | Crosses

This cross fitting is for connecting four merging wireway runs from two different directions.

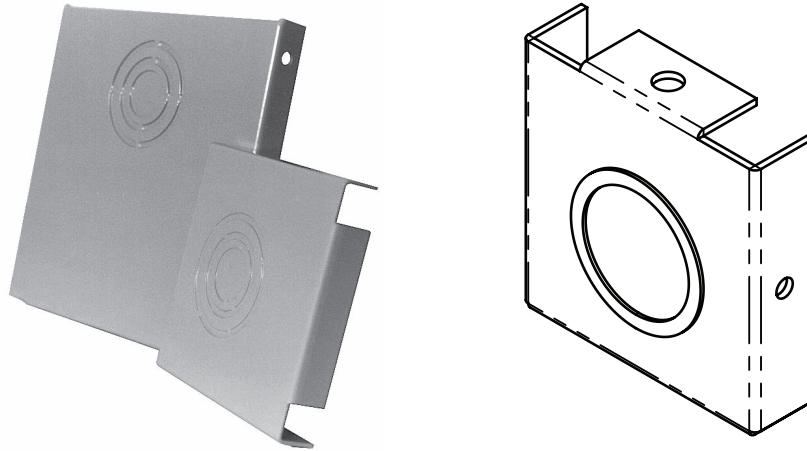
Catalog Number	Product Family	UPC # (7-84572)	Weight (lbs)	Std. Pkg.	Size
22GX	GFIT	26469	4.3	1	2.5 x 2.5
22GX-NP	GFIT	26470	4.3	1	2.5 x 2.5
44GX	GFIT	10688	6.3	1	4 x 4
66GX	GFIT	10851	8.3	1	6 x 6
88GX	GFIT	10990	13.3	1	8 x 8
1010GX	GFIT	17214	14	1	10 x 10
1212GX	GFIT	17128	15	1	12 x 12



Please consult serving utility for their requirements prior to ordering or installing, as specifications and approvals vary by utility, and may require local electrical inspector approval. All installations must be installed by a licensed electrician and must comply with all national and local codes, laws and regulations. Milbank reserves the right to make changes in specifications and features shown without notice or obligation.

# Wireway Fittings

For Use with GSC1 and GHC1 Wireway



### GE | Ends

Closes the end of a wireway section or run. All knockouts are concentric 1/2", 3/4", 1", 1 1/4", 1 1/2".

Catalog Number	Product Family	UPC # (7-84572)	Weight (lbs)	Std. Pkg.	Size
22GE	GFIT	26413	0.3	20	2.5 x 2.5
22GE-NK	GFIT	26414	0.3	20	2.5 x 2.5
22GE-NK-NP	GFIT	26415	0.3	20	2.5 x 2.5
22GE-NP	GFIT	26416	0.3	20	2.5 x 2.5
22GEU	GFIT	26426	0.3	20	2.5 x 2.5
22GFE	GFIT	26429	0.3	10	2.5 x 2.5
22GFE-NK	GFIT	26430	0.3	10	2.5 x 2.5
44GE	GFIT	10676	0.4	20	4 x 4
44GE-NK	GFIT	10677	0.4	20	4 x 4
44GE-NK-NP	GFIT	15538	0.4	20	4 x 4
44GE-NP	GFIT	20889	0.4	20	4 x 4
44GEU	GFIT	10678	0.4	20	4 x 4
44GEU-NK-NP	GFIT	21085	0.4	20	4 x 4
44GFE	GFIT	10680	0.4	10	4 x 4
44GFE-NK	GFIT	18771	0.4	10	4 x 4
66GE	GFIT	10839	0.8	20	6 x 6
66GE-NK	GFIT	10840	0.8	20	6 x 6
66GE-NK-NP	GFIT	15537	0.8	20	6 x 6
66GE-NP	GFIT	17355	0.8	20	6 x 6
66GEU	GFIT	10841	0.8	20	6 x 6
66GEU-NK	GFIT	24628	0.8	20	6 x 6
66GEU-NK-NP	GFIT	21084	0.8	20	6 x 6

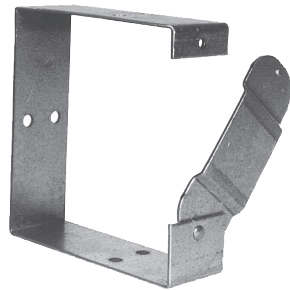
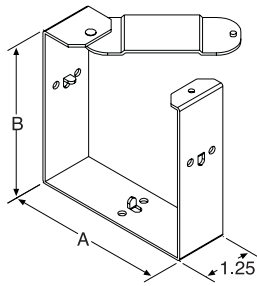
Catalog Number	Product Family	UPC # (7-84572)	Weight (lbs)	Std. Pkg.	Size
66GFE	GFIT	10843	0.8	10	6 x 6
88GE	GFIT	10978	1.4	20	8 x 8
88GE-NK	GFIT	10979	1.4	20	8 x 8
88GE-NK-NP	GFIT	15535	1.4	20	8 x 8
88GE-NP	GFIT	20890	1.4	20	8 x 8
88GEU	GFIT	10980	1.4	20	8 x 8
88GEU-NK-NP	GFIT	21086	1.4	20	8 x 8
88GFE	GFIT	10982	2	10	8 x 8
88GFE-NK	GFIT	17686	2	10	8 x 8
1010GE	GFIT	10048	2.6	20	10 x 10
1010GE-NK	GFIT	10049	2.6	20	10 x 10
1010GE-NK-NP	GFIT	15536	2.6	20	10 x 10
1010GEU	GFIT	10050	2.6	20	10 x 10
1010GEU-NK	GFIT	31179	2.6	20	10 x 10
1010GEU-NK-NP	GFIT	21087	2.6	20	10 x 10
1212GE	GFIT	10161	2.8	20	12 x 12
1212GE-NK	GFIT	10162	2.8	20	12 x 12
1212GE-NK-NP	GFIT	15534	2.8	20	12 x 12
1212GE-NP	GFIT	20891	2.8	20	12 x 12
1212GEU	GFIT	10163	2.8	20	12 x 12
1212GEU-NK	GFIT	32358	2.8	20	12 x 12
1212GEU-NK-NP	GFIT	21088	2.8	20	12 x 12

**Note**  
**GFE** is for **GHC1** wireway (hinge cover)  
**GE** is for **GSC1** wireway (screw cover)

Please consult serving utility for their requirements prior to ordering or installing, as specifications and approvals vary by utility, and may require local electrical inspector approval. All installations must be installed by a licensed electrician and must comply with all national and local codes, laws and regulations. Milbank reserves the right to make changes in specifications and features shown without notice or obligation.



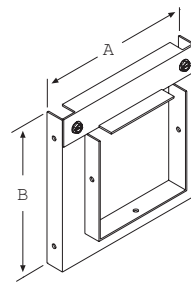
For Use with GSC1 and GHC1 Wireway



### GC | Connectors

A connector is required at each wireway joint (except at telescopic fittings, ends or reducers). The swing portion allows for easy lay-in wiring.

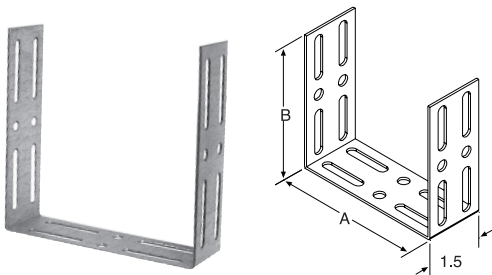
Catalog Number	Product Family	UPC # (7-84572)	Weight (lbs)	Std. Pkg.	Size
22GC	GFIT	26412	0.3	12	2.5 x 2.5
44GC	GFIT	10674	0.5	12	4 x 4
66GC	GFIT	10837	0.6	12	6 x 6
88GC	GFIT	10977	0.8	12	8 x 8
1010GC	GFIT	10047	1	12	10 x 10
1212GC	GFIT	10160	1.44	12	12 x 12



### GR | Reducers

Reduces one size wireway to a smaller size wireway. The inner opening is centered to keep the two wireway sizes relative to each other.

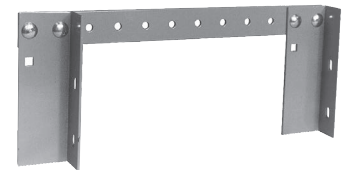
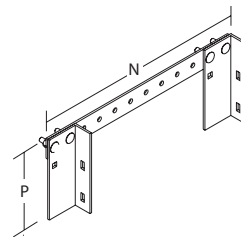
Catalog Number	Product Family	UPC # (7-84572)	Weight (lbs)	Std. Pkg.	Size
2244GR	GFIT	26410	3	4	2.5 x 2.5-4 x 4
4466GR	GFIT	10668	4	4	4 x 4-6 x 6
6688GR	GFIT	10833	6	4	6 x 6-8 x 8
881010GR	GFIT	15669	10	4	8 x 8-10 x 10
881212GR	GFIT	32359	11	4	8 x 8-12 x 12
10101212GR	GFIT	15648	12	4	10 x 10-12 x 12



### GCU | Universal Connectors

Universal connectors can be used to connect a Milbank wireway to another brand of wireway.

Catalog Number	Product Family	UPC # (7-84572)	Weight (lbs)	Std. Pkg.	Size
22GCU	GFIT	26425	0.3	12	2.5 x 2.5
44GCU	GFIT	10675	0.5	12	4 x 4
66GCU	GFIT	10838	0.6	12	6 x 6
88GCU	GFIT	16255	0.8	12	8 x 8
1010GCU	GFIT	18917	1.2	12	10 x 10
1212GCU	GFIT	18996	1.7	12	12 x 12



### GH | Hangers

This adjustable hanger is used to support a wireway run and is placed at five foot intervals.

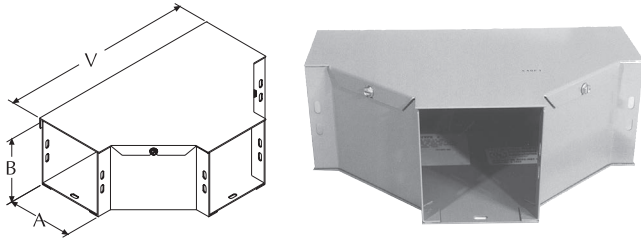
Catalog Number	Product Family	UPC # (7-84572)	Weight (lbs)	Std. Pkg.	Size
22GH	GFIT	26936	1	6	2.5 x 2.5
44GH	GFIT	10685	1.5	6	4 x 4
44GH-NP	GFIT	21072	1.5	6	4 x 4
66GH	GFIT	10848	2	6	6 x 6
66GH-NP	GFIT	21073	2	6	6 x 6
88GH	GFIT	10987	3	6	8 x 8
1010GH	GFIT	10052	7	6	10 x 10
1212GH	GFIT	10165	7	6	12 x 12



Please consult serving utility for their requirements prior to ordering or installing, as specifications and approvals vary by utility, and may require local electrical inspector approval. All installations must be installed by a licensed electrician and must comply with all national and local codes, laws and regulations. Milbank reserves the right to make changes in specifications and features shown without notice or obligation.

# Wireway Fittings

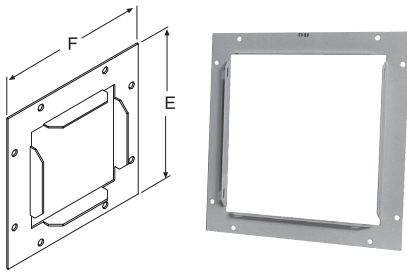
For Use with GSC1 Wireway



### GFT | Tees (for Hinge Covers)

The GFT for hinged covers is used when all three branches of the wireway run are open along the same side.

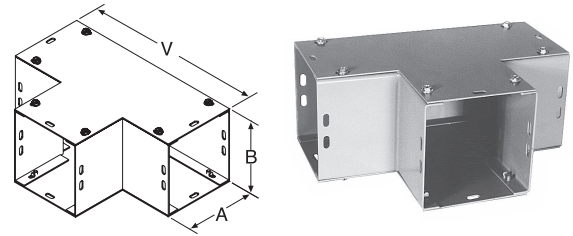
Catalog Number	Product Family	UPC # (7-84572)	Weight (lbs)	Std. Pkg.	Size
22GFT	GFIT	26463	2.5	1	2.5 x 2.5
22GFT-NP	GFIT	26464	2.5	10	2.5 x 2.5
44GFT	GFIT	10684	3	1	4 x 4
66GFT	GFIT	10847	7.3	1	6 x 6
66GFT-NP	GFIT	21079	7.3	10	6 x 6
88GFT	GFIT	10986	13	1	8 x 8
1212GFT	GFIT	15879	29	1	12 x 12



### GF | End Flanges

When access from a junction enclosure to a wireway is required, this piece mounts onto the opening of the enclosure and then secures to the wireway.

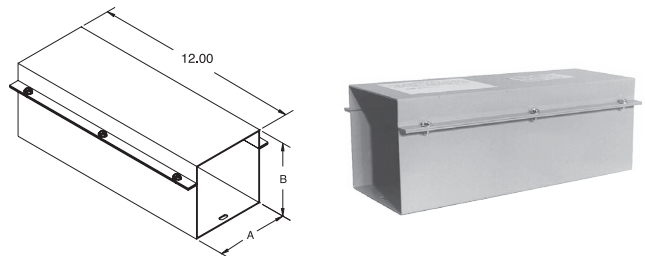
Catalog Number	Product Family	UPC # (7-84572)	Weight (lbs)	Std. Pkg.	Size
22GF	GFIT	26428	0.4	10	2.5 x 2.5
44GF	GFIT	10679	0.6	10	4 x 4
44GF-NP	GFIT	15520	0.6	10	4 x 4
66GF	GFIT	10842	0.8	10	6 x 6
66GF-NP	GFIT	15523	0.8	10	6 x 6
88GF	GFIT	10981	1	10	8 x 8
88GF-NP	GFIT	15526	1	10	8 x 8
1010GF	GFIT	10051	1.3	10	10 x 10
1010GF-NP	GFIT	15514	1.3	10	10 x 10
1212GF	GFIT	10164	1.5	10	12 x 12
1212GF-NP	GFIT	15517	1.5	10	12 x 12



### GT | Tees

This fitting can be used to branch from a GSC1 wireway (screw cover) run to a perpendicular run.

Catalog Number	Product Family	UPC # (7-84572)	Weight (lbs)	Std. Pkg.	Size
22GT	GFIT	26417	2.5	1	2.5 x 2.5
22GT-NP	GFIT	26418	2.5	1	2.5 x 2.5
44GT	GFIT	10686	3.5	1	4 x 4
44GT-NP	GFIT	19315	3.5	1	4 x 4
66GT	GFIT	10849	7.3	1	6 x 6
66GT-NP	GFIT	16422	7.3	1	6 x 6
88GT	GFIT	10988	13	1	8 x 8
88GT-NP	GFIT	19314	13	1	8 x 8
1010GT	GFIT	10053	17	1	10 x 10
1010GT-NP	GFIT	19313	17	1	10 x 10
1212GT	GFIT	10166	23	1	12 x 12
1212GT-NP	GFIT	19312	23	1	12 x 12



### GTF | Telescopic Fittings

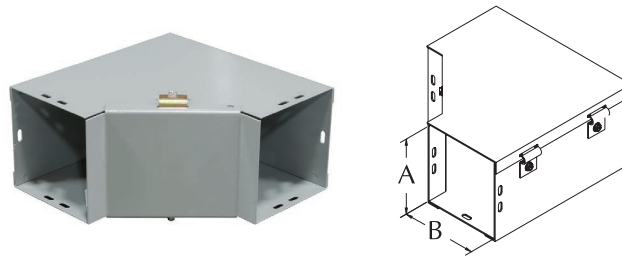
This fitting will accommodate a wireway run where the remaining section is not a standard length. Attach fitting to the end of the short piece to fill in the required distance.

Catalog Number	Product Family	UPC # (7-84572)	Weight (lbs)	Std. Pkg.	Size
22GTF	GFIT	26431	2.5	1	2.5 x 2.5
44GTF	GFIT	10687	3.5	1	4 x 4
66GTF	GFIT	10850	7.2	1	6 x 6
88GTF	GFIT	10989	13	1	8 x 8
1010GTF	GFIT	18918	20.3	1	10 x 10
1212GTF	GFIT	18995	29.2	1	12 x 12

Please consult serving utility for their requirements prior to ordering or installing, as specifications and approvals vary by utility, and may require local electrical inspector approval. All installations must be installed by a licensed electrician and must comply with all national and local codes, laws and regulations. Milbank reserves the right to make changes in specifications and features shown without notice or obligation.



For Use with GHC1 Wireway (Hinge Cover)

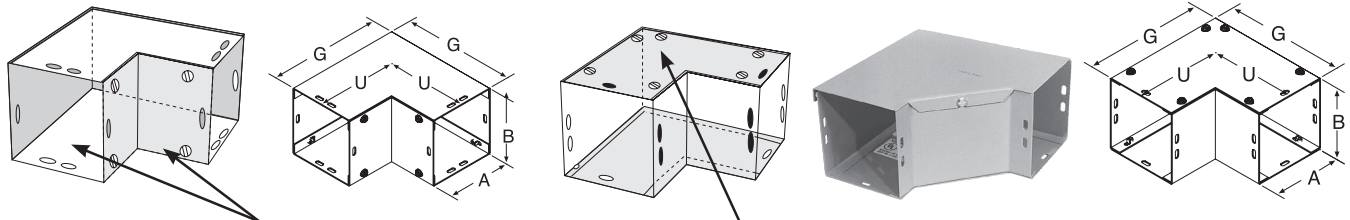


### GFL | 90° Elbows (for Hinge Covers)

These elbows are designed to turn a 90° corner in a wireway run.

Catalog Number	Product Family	UPC # (7-84572)	Weight (lbs)	Std. Pkg.	Size	Catalog Number	Product Family	UPC # (7-84572)	Weight (lbs)	Std. Pkg.	Size
22GFL90IS	GFIT	26472	1.2	10	2.5 x 2.5	66GFL90S	GFIT	10846	5	10	6 x 6
22GFL90OS	GFIT	26938	1.2	10	2.5 x 2.5	88GFL90IS	GFIT	10983	11.5	10	8 x 8
22GFL90OS-NP	GFIT	26939	1.2	10	2.5 x 2.5	88GFL90OS	GFIT	10984	11.5	10	8 x 8
22GFL90S	GFIT	26471	1.2	10	2.5 x 2.5	88GFL90S	GFIT	10985	11.5	10	8 x 8
44GFL90IS	GFIT	10681	3	10	4 x 4	88GFL90S-NP	GFIT	32369	11.5	10	8 x 8
44GFL90OS	GFIT	10682	3	10	4 x 4	1010GFL90IS	GFIT	28354	18.2	10	10 x 10
44GFL90S	GFIT	10683	3	10	4 x 4	1010GFL90OS	GFIT	28353	18.2	10	10 x 10
66GFL90IS	GFIT	10844	5	10	6 x 6	1010GFL90S	GFIT	17626	18.2	10	10 x 10
66GFL90OS	GFIT	10845	5	10	6 x 6	1212GFL90IS	GFIT	25494	19	10	12 x 12
66GFL90OS-NP	GFIT	32360	5	10	6 x 6	1212GFL90S	GFIT	32362	19	10	12 x 12

### Suffix Designations

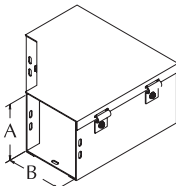


#### C | Corner

**C Configuration on 90° screw cover elbow**  
Both inside and outside corners are removable for lay-in wiring.

#### S | Side

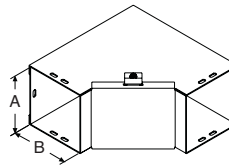
**S Configuration on 90° screw cover elbow**  
Top and bottom are removable for lay-in wiring.



**Side Opening | S Configuration**  
on Hinge Cover Elbow



**Inside Opening | IS Configuration**  
on Hinge Cover Elbow



**Outside Opening | OS Configuration**  
on Hinge Cover Elbow

### Interchangeable Fittings

The following fittings are interchangeable between the screw cover and hinge cover wireways:  
Connectors on page 44, Hangers on page 44, End Flanges on page 45, 45° Elbows on page 47, Crosses on page 42,  
Reducers on page 44, Telescopic Fittings on page 44.



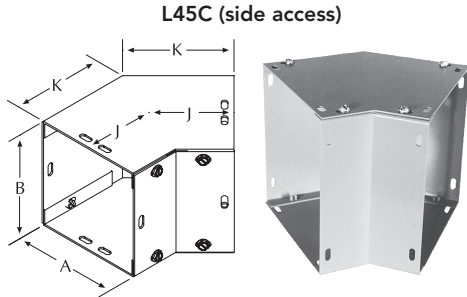
Please consult serving utility for their requirements prior to ordering or installing, as specifications and approvals vary by utility, and may require local electrical inspector approval. All installations must be installed by a licensed electrician and must comply with all national and local codes, laws and regulations. Milbank reserves the right to make changes in specifications and features shown without notice or obligation.

# Wireway Fittings

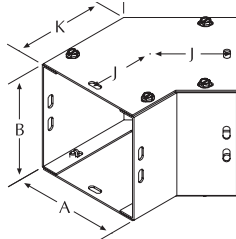
For Use with GSC1 Wireway (Screw Cover)

## L45C & L45S | 45° Elbows (Screw Covers)

Similar to the 90° elbow in design and function, only used in 45° angle applications.



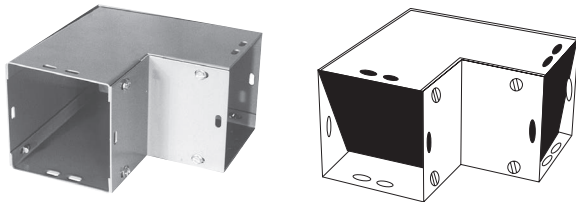
L45S (top access)



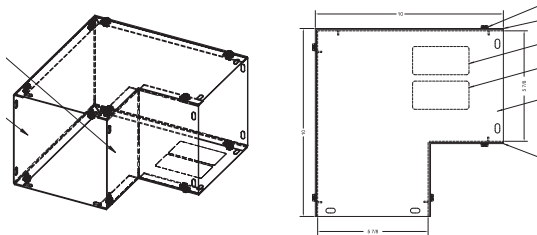
## 90° Elbows

These elbows are designed to turn a 90° corner in a wireway run.

90° Elbows (for Screw Covers) (C - Side Access)



90° Elbows (for Screw Covers) (S - Top Access)



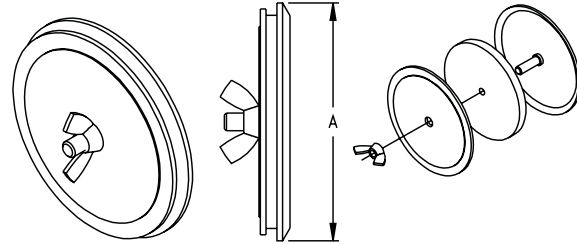
**Note**

Screws not included with fittings. Fitting attachment screws are included with straight sections of wireway.

Catalog Number	Product Family	UPC # (7-84572)	Weight (lbs)	Std. Pkg.	Size
<b>45° Elbows</b>					
22L45C	GFIT	26419	3.6	2	2.5 x 2.5
22L45C-NP	GFIT	26420	3.6	2	2.5 x 2.5
22L45S	GFIT	26432	3.6	2	2.5 x 2.5
22L45S-NP	GFIT	26433	3.6	2	2.5 x 2.5
44L45C	GFIT	10689	7.1	2	4 x 4
44L45S	GFIT	10690	7.1	2	4 x 4
66L45C	GFIT	10852	10.8	2	6 x 6
66L45C-NP	GFIT	15499	10.8	2	6 x 6
66L45S	GFIT	10853	10.8	2	6 x 6
66L45S-NP	GFIT	15500	10.8	2	6 x 6
88L45C	GFIT	10991	14.4	2	8 x 8
88L45C-NP	GFIT	15510	14.4	2	8 x 8
88L45S	GFIT	10992	14.4	2	8 x 8
1010L45C	GFIT	10054	16	2	10 x 10
1010L45C-NP	GFIT	15460	16	2	10 x 10
1010L45S	GFIT	10055	16	2	10 x 10
1010L45S-NP	GFIT	15461	16	2	10 x 10
1212L45C	GFIT	10167	23	2	12 x 12
1212L45C-NP	GFIT	15470	23	2	12 x 12
1212L45S	GFIT	10168	23	2	12 x 12
1212L45S-NP	GFIT	15471	23	2	12 x 12
<b>90° Elbows</b>					
22L90C	GFIT	26465	3.6	2	2.5 x 2.5
22L90C-NP	GFIT	26466	3.6	2	2.5 x 2.5
22L90S	GFIT	26467	3.6	2	2.5 x 2.5
22L90S-NP	GFIT	26468	3.6	2	2.5 x 2.5
44L90C	GFIT	10691	7	2	4 x 4
44L90C-NP	GFIT	15521	7	2	4 x 4
44L90S	GFIT	10692	7	2	4 x 4
44L90S-NP	GFIT	15522	7	2	4 x 4
66L90C	GFIT	10854	9	2	6 x 6
66L90C-NP	GFIT	15524	9	2	6 x 6
66L90S	GFIT	10855	9	2	6 x 6
66L90S-NP	GFIT	15525	9	2	6 x 6
88L90C	GFIT	10993	13	2	8 x 8
88L90C-NP	GFIT	15527	13	2	8 x 8
88L90S	GFIT	10994	13	2	8 x 8
88L90S-NP	GFIT	15528	13	2	8 x 8
1010L90C	GFIT	10056	15	2	10 x 10
1010L90C-NP	GFIT	15515	15	2	10 x 10
1010L90S	GFIT	10057	15	2	10 x 10
1010L90S-NP	GFIT	15516	15	2	10 x 10
1212L90C	GFIT	10169	22	2	12 x 12
1212L90C-NP	GFIT	15518	22	2	12 x 12
1212L90S	GFIT	10170	22	2	12 x 12
1212L90S-NP	GFIT	15519	22	2	12 x 12

Please consult serving utility for their requirements prior to ordering or installing, as specifications and approvals vary by utility, and may require local electrical inspector approval. All installations must be installed by a licensed electrician and must comply with all national and local codes, laws and regulations. Milbank reserves the right to make changes in specifications and features shown without notice or obligation.





### Application

- Designed to seal extra push-button holes, knockout openings and conduit openings from dust, dirt, water and oil.
- A hole seal has a cover with a stud welded in the center and a gasket placed over the stud.

### Construction

- **Steel:** Cover is painted ANSI 61 gray. Oil-resistant gasket. Back plate is unpainted galvanized steel.
- **Stainless Steel (-XS):** Cover is stainless steel with a #3 finish. Oil-resistant gasket. Back plate is stainless steel.

### Installation

- The cover and gasket are typically placed on the outside of the enclosure, with the backplate and wing nut fastened to the seal from the inside of the enclosure.
- As the wing nut is tightened, the cover compresses the gasket and seals the hole. Can be used on holes ranging in size from .19 through 4.00 with a wall thickness of up to .31.

Catalog Number	Product Family	UPC # (7-84572)	Weight (lbs)	Max Hole Dia.	Seal Dia.
A-HSPBM	IIAC	18781	0.1	0.88	1.22
A-HSPBMXS	IIAC	20435	0.1	0.88	1.22
A-HSPB	IIAC	18782	0.1	1.25	1.75
A-HSPBXS	IIAC	20436	0.1	1.25	1.75
A-HS050	IIAC	18783	0.1	0.88	1.38
A-HS050XS	IIAC	20439	0.1	0.88	1.38
A-HS075	IIAC	18784	0.1	1.06	1.56
A-HS075XS	IIAC	20438	0.1	1.06	1.56
A-HS100	IIAC	18785	0.1	1.38	1.88
A-HS100XS	IIAC	19738	0.1	1.38	1.88

Catalog Number	Product Family	UPC # (7-84572)	Weight (lbs)	Max Hole Dia.	Seal Dia.
A-HS125	IIAC	19858	0.1	1.69	2.19
A-HS125XS	IIAC	20437	0.1	1.69	2.19
A-HS150	IIAC	18786	0.2	2	2.5
A-HS150XS	IIAC	19737	0.2	2	2.5
A-HS200	IIAC	18787	0.2	2.5	3
A-HS200XS	IIAC	19736	0.2	2.5	3
A-HS250	IIAC	21753	0.3	3	3.5
A-HS300	IIAC	21387	0.6	3.62	4.12
A-HS350	IIAC	21754	0.7	4.12	4.62
A-HS400	IIAC	21755	0.9	4.62	5.12

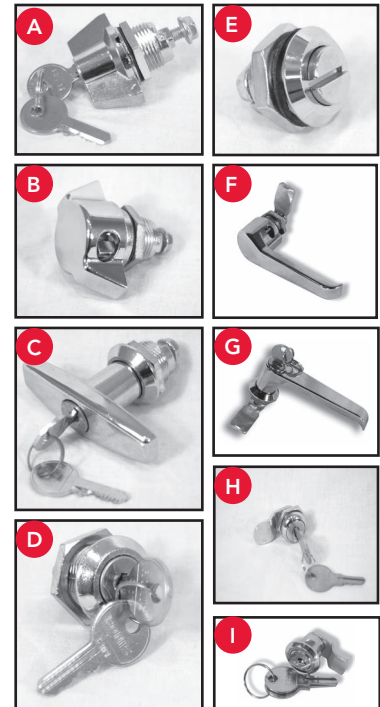


Please consult serving utility for their requirements prior to ordering or installing, as specifications and approvals vary by utility, and may require local electrical inspector approval. All installations must be installed by a licensed electrician and must comply with all national and local codes, laws and regulations. Milbank reserves the right to make changes in specifications and features shown without notice or obligation.



## Locks

Catalog Number	Description	Product Family	UPC # (7-84572)
<b>A. Wing Handle   Key Locking</b>			
A-LKWHK3R1	For TC3R enclosures 30x30 & under	IIAC	27210
A-LKWHK3R2	For TC3R enclosures 30x30 & over	IIAC	27211
<b>B. Wing Handle   Padlocking</b>			
A-LKWHP3R1	For TC3R enclosures 30x30 & under	IIAC	27214
A-LKWHP3R2	For TC3R enclosures 30x30 & over	IIAC	27215
<b>C. T-Handle Lock</b>			
A-LKT3R1	For TC3R enclosures 30x30 & under	IIAC	27218
A-LKT3R2	For TC3R enclosures 30x30 & over	IIAC	27219
A-LKT3R1-K	Keys only for T-handle lock	IIAC	28209
<b>D. Flush Mount Quarter Turn   Keylocking</b>			
A-LKFMKEY3R1	For TC3R enclosures 30x30 & under	IIAC	27222
A-LKFMKEY3R2	For TC3R enclosures 30x30 & over	IIAC	27223
A-LKFMKEYM-K	Keys only for flush mount quarter turn lock	IIAC	28271
<b>E. Flush Mount Quarter Turn   Screwdriver Operated</b>			
A-LKFM3R1	For TC3R enclosures 30x30 & under	IIAC	27225
A-LKFM3R2	For TC3R enclosures 30x30 & over	IIAC	27226
<b>F. Padlocking L-Handle</b>			
A-LKLPAD3R1	For TC3R enclosures 30x30 & under	IIAC	27229
A-LKLPAD3R2	For TC3R enclosures 30x30 & over	IIAC	27230
<b>G. Keylocking L-Handle</b>			
A-LKLKEY3R1	For TC3R enclosures 30x30 & under	IIAC	27233
A-LKLKEY3R2	For TC3R enclosures 30x30 & over	IIAC	27234
<b>H. Keylocking Cylinder Lock (Knockout is .75" x .671")</b>			
A-LK3R	For SC3R and GSC3R enclosures	IIAC	27237
<b>I. Small Flush Mount   Keylocking</b>			
A-LKSFMKEYL	For LC1 enclosures	IIAC	27236
<b>Replacement Locks</b>			
<b>1. Slam Latch Lock</b>			
A-LK3	Replacement lock for TSC and TFLC cabinet covers	IIAC	18800
<b>2. Padlocking L-Handle for CT3R</b>			
A-LKPH	Replacement padlock handle for CT3R enclosures	IIAC	25061
<b>3. Small Flush Mount   Screwdriver Operated</b>			
A-LK10	Replacement lock for LC1 enclosures	IIAC	28068



Please consult serving utility for their requirements prior to ordering or installing, as specifications and approvals vary by utility, and may require local electrical inspector approval. All installations must be installed by a licensed electrician and must comply with all national and local codes, laws and regulations. Milbank reserves the right to make changes in specifications and features shown without notice or obligation.





**External Mounting Foot Kits (TC3R Enclosures)**

**Application**

- For use with TC3R enclosures.

**Features**

- Easy installation, no drilling.
- Manufactured from G90 galvanized steel.
- Painted to match enclosure.

Catalog Number	Enclosure Width (B)	Product Family	UPC # (7-84572)
A-TC3RMFK6	6	CNAC	26714
A-TC3RMFK8	8	CNAC	26715
A-TC3RMFK10	10	CNAC	26716
A-TC3RMFK12	12	CNAC	26717
A-TC3RMFK16	16	CNAC	26718
A-TC3RMFK18	18	CNAC	26719
A-TC3RMFK24	24	CNAC	26720
A-TC3RMFKLG	30 & over	CNAC	26721

**Touch-Up Paint**

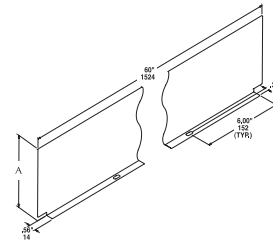
Catalog Number	Color	Description	Product Family	UPC # (7-84572)
A-GP	Light Gray	16 oz. spray	IIAC	18795
A-WP	White	16 oz. spray	IIAC	18796



**Barrier Kits**

For dividing wireway into two compartments. Barriers are easily secured to wireway with the use of screws (which are included).

Catalog Number	Wireway Size	Dim. A	Product Family	UPC # (7-84572)
A-BK460	4 x 4	3.53	CNAC	18503
A-BK660	6 x 6	5.53	CNAC	18409
A-BK860	8 x 8	7.53	CNAC	18511
A-BK1060	10 x 10	9.53	CNAC	18517
A-BK1260	12 x 12	11.53	CNAC	18523



**Self-Tapping Screws**

Catalog Number	Description	Product Family	UPC # (7-84572)
A-GSC	Self-tapping screw, 4 per bag	CNAC	18798

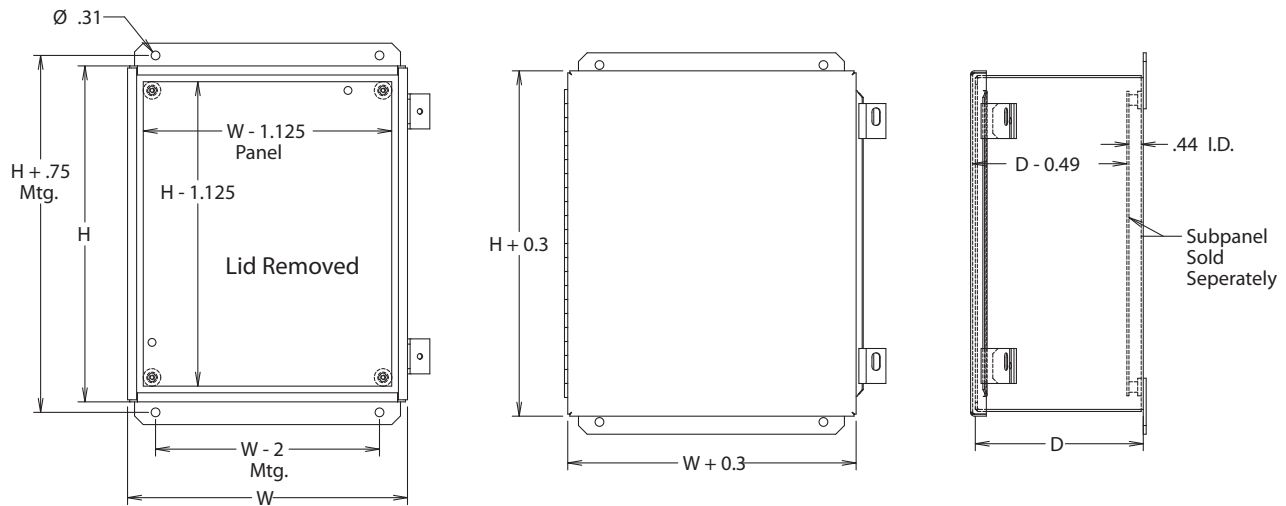


Please consult serving utility for their requirements prior to ordering or installing, as specifications and approvals vary by utility, and may require local electrical inspector approval. All installations must be installed by a licensed electrician and must comply with all national and local codes, laws and regulations. Milbank reserves the right to make changes in specifications and features shown without notice or obligation.

# Junction Enclosures

51

## Type 12 | Continuous Hinge Cover



### Applications

Designed to provide protection for electrical controls, instruments and terminals from oil, dirt and dust

### Construction

- Fabricated from 16- or 14-gauge carbon steel, 14-gauge type 304 or type 316 stainless steel with continuously welded seams.
- Door secured with a continuous hinge with removable pin and clamps.
- Oil resistant gasket applied to the doors.
- External mounting feet for wall or machinery mounting.
- Weld nuts for mounting optional subpanel.

### Finish

Standard ANSI 61 gray finish on interior and exterior of enclosures. Recoatable, smooth, white or RAL 7035 texture

polyester powder coat available at no charge. Standard RAL and custom match finishes available for an additional charge. Please contact Milbank for further assistance. All powder coat finishes applied over cleaned phosphatized surfaces. Carbon steel subpanels have a white polyester powder coat finish. Stainless steel enclosures have a polished #4 finish.

### Options

Milbank can modify standard enclosures or custom design enclosures according to your specifications. Holes, cutouts, sizes, materials and many more options are available. Quotations upon request.

### Industry Standards

- UL 50 listed
- CUL 50 listed
- Type 12

Please consult serving utility for their requirements prior to ordering or installing, as specifications and approvals vary by utility, and may require local electrical inspector approval. All installations must be installed by a licensed electrician and must comply with all national and local codes, laws and regulations. Milbank reserves the right to make changes in specifications and features shown without notice or obligation.



# Junction Enclosures

## Type 12 | Continuous Hinge Cover

Catalog Number			Product Size H x W x D	Ship. Wt. (lbs.)	Subpanel Part #	Subpanel Size H x W (in.)
Carbon Steel #	304 Stainless Steel #	316 Stainless Steel #				
HC443JIC12	HC443JIC12XS	HC443JIC12XZ	4 x 4 x 3	2	—	—
HC643JIC12	HC643JIC12XS	HC643JIC12XZ	6 x 4 x 3	3	A-64SBP	4.88 x 2.88
HC863JIC12	HC863JIC12XS	HC863JIC12XZ	8 x 6 x 3.5	5	A-86SBP	6.88 x 4.88
HC444JIC12	HC444JIC12XS	HC444JIC12XZ	4 x 4 x 4	2	—	—
HC644JIC12	HC644JIC12XS	HC644JIC12XZ	6 x 4 x 4	3	A-64SBP	4.88 x 2.88
HC664JIC12	HC664JIC12XS	HC664JIC12XZ	6 x 6 x 4	4	A-66SBP	4.88 x 4.88
HC884JIC12	HC884JIC12XS	HC884JIC12XZ	8 x 8 x 4	6	A-88SBP	6.88 x 6.88
HC1084JIC12	HC1084JIC12XS	HC1084JIC12XZ	10 x 8 x 4	8	A-108SBP	8.88 x 6.88
HC1264JIC12	HC1264JIC12XS	HC1264JIC12XZ	12 x 6 x 4	7	A-126SBP	10.88 x 4.88
HC12105JIC12	HC12105JIC12XS	HC12105JIC12XZ	12 x 10 x 5	12	A-1210SBP	10.88 x 8.88
HC666JIC12	HC666JIC12XS	HC666JIC12XZ	6 x 6 x 6	5	A-66SBP	4.88 x 4.88
HC866JIC12	HC866JIC12XS	HC866JIC12XZ	8 x 6 x 6	7	A-86SBP	6.88 x 4.88
HC1086JIC12	HC1086JIC12XS	HC1086JIC12XZ	10 x 8 x 6	9	A-108SBP	8.88 x 6.88
HC10106JIC12	HC10106JIC12XS	HC10106JIC12XZ	10 x 10 x 6	11	A-1010SBP	8.88 x 8.88
HC12126JIC12	HC12126JIC12XS	HC12126JIC12XZ	12 x 12 x 6	14	A-1212SBP	10.88 x 10.88
HC1486JIC12	HC1486JIC12XS	HC1486JIC12XZ	14 x 8 x 6	12	A-148SBP	12.88 x 6.88
HC14126JIC12	HC14126JIC12XS	HC14126JIC12XZ	14 x 12 x 6	16	A-1412SBP	12.88 x 10.88
HC16106JIC12	HC16106JIC12XS	HC16106JIC12XZ	16 x 10 x 6	16	A-1610SBP	14.88 x 8.88
HC16146JIC12	HC16146JIC12XS	HC16146JIC12XZ	16 x 14 x 6	20	A-1614SBP	14.88 x 12.88
HC12108JIC12	HC12108JIC12XS	HC12108JIC12XZ	12 x 10 x 8	15	A-1210SBP	10.88 x 8.88
HC14128JIC12	HC14128JIC12XS	HC14128JIC12XZ	14 x 12 x 8	19	A-1412SBP	12.88 x 10.88
HC16148JIC12	HC16148JIC12XS	HC16148JIC12XZ	16 x 14 x 8	23	A-1614SBP	14.88 x 12.88
HC161410JIC12	HC161410JIC12XS	HC161410JIC12XZ	16 x 14 x 10	26	A-1614SBP	14.88 x 12.88

**NOTE**

When width is equal to or less than 8 inches, there will be one set of clamps on that side.

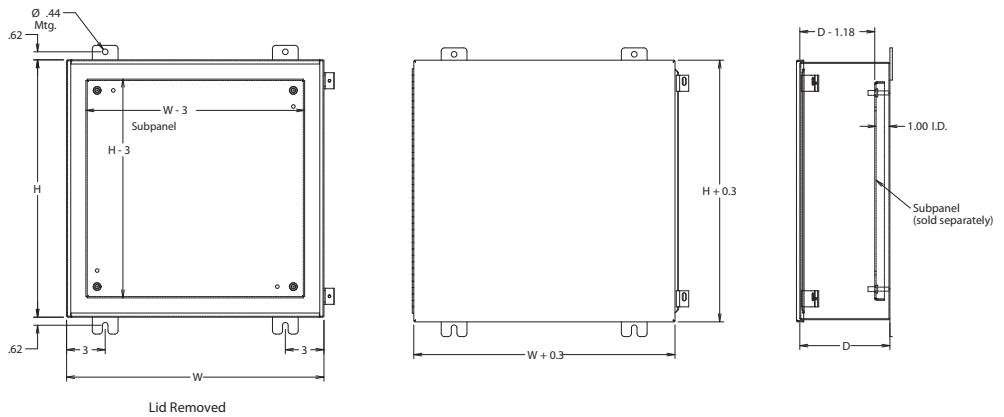
Subpanels must be ordered separately.



Please consult serving utility for their requirements prior to ordering or installing, as specifications and approvals vary by utility, and may require local electrical inspector approval. All installations must be installed by a licensed electrician and must comply with all national and local codes, laws and regulations. Milbank reserves the right to make changes in specifications and features shown without notice or obligation.

# Junction Enclosures

## Type 12 | Large Continuous Hinge Cover



### Applications

For housing electrical controls, terminals and instruments. Provides protection from dust, dirt, oil and water.

### Construction

- Fabricated from 14-gauge carbon steel.
- Door secured with continuous hinge and clamps.
- Oil resistant gasket applied to doors.
- External mounting feet for wall or machinery mounting.

- Collar studs for mounting optional subpanel.

### Finish

Standard ANSI 61 gray finish on interior and exterior of enclosures. Recoatable, smooth, white or RAL 7035 texture polyester powder coat available at no charge. Standard RAL and custom match finishes available for an additional charge. Please contact Milbank for further assistance. All powder coat finishes applied over cleaned phosphatized surfaces. Carbon

steel subpanels have a white polyester powder coat finish.

### Options

Milbank can modify standard enclosures or custom design enclosures according to your specifications. Holes, cutouts, sizes, materials and many more options are available. Quotations upon request.

### Industry Standards

- UL 50 Listed
- CUL 50 Listed
- Type 12

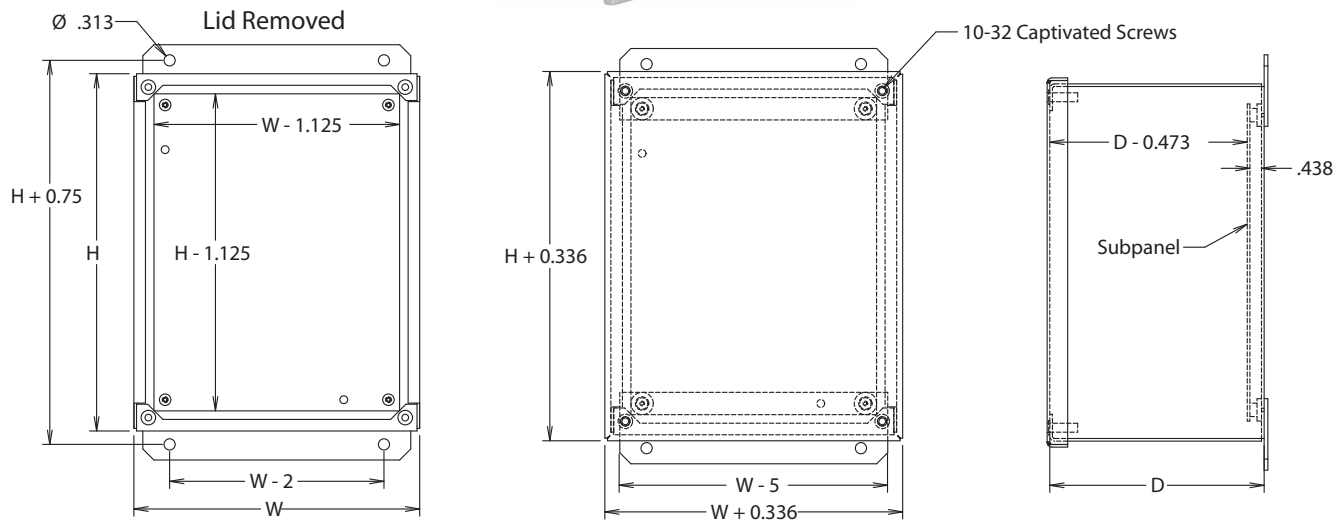
Catalog Number	Enclosure Size H x W x D (in.)	Ship. Wt. (lbs.)	Subpanel Catalog Number	Subpanel Size H x W (in.)
HC20167JIC12	20 x 16 x 7	31	A-20P16	17 x 13
HC20207JIC12	20 x 20 x 7	37	A-20P20	17 x 17
HC24207JIC12	24 x 20 x 7	43	A-24P20	21 x 17
HC24247JIC12	24 x 24 x 7	48	A-24P24	21 x 21
HC30207JIC12	30 x 20 x 7	50	A-30P20	27 x 17
HC30247JIC12	30 x 24 x 7	58	A-30P24	27 x 21
HC36247JIC12	36 x 24 x 7	69	A-36P24	33 x 21
HC20169JIC12	20 x 16 x 9	36	A-20P16	17 x 13
HC20209JIC12	20 x 20 x 9	41	A-20P20	17 x 17
HC24209JIC12	24 x 20 x 9	47	A-24P20	21 x 17
HC24249JIC12	24 x 24 x 9	54	A-24P24	21 x 21
HC30209JIC12	30 x 20 x 9	55	A-30P20	27 x 17
HC30249JIC12	30 x 24 x 9	62	A-30P24	27 x 21
HC36249JIC12	36 x 24 x 9	76	A-36P24	33 x 21
HC36309JIC12	36 x 30 x 9	90	A-36P30	33 x 27
HC42309JIC12	42 x 30 x 9	103	A-42P30	39 x 27
HC42369JIC12	42 x 36 x 9	115	A-42P36	39 x 33
HC242411JIC12	24 x 24 x 11	58	A-24P24	21 x 21
HC362411JIC12	36 x 24 x 11	77	A-36P24	33 x 21
HC483611JIC12	48 x 36 x 11	139	A-48P36	45 x 33
HC302413JIC12	30 x 24 x 13	70	A-30P24	27 x 21
HC363013JIC12	36 x 30 x 13	100	A-36P30	33 x 27

### Note

1. Print pocket: 6" x 6" when H and W are 24" or less. Print pocket: 9" x 9" when H and W are greater than 24".
2. Panels will have formed flanges when either height or width is greater than or equal to 18".
3. Subpanels must be ordered separately.

Please consult serving utility for their requirements prior to ordering or installing, as specifications and approvals vary by utility, and may require local electrical inspector approval. All installations must be installed by a licensed electrician and must comply with all national and local codes, laws and regulations. Milbank reserves the right to make changes in specifications and features shown without notice or obligation.





### Applications

For housing electrical controls, terminals and instruments and to provide protection from dust, dirt, oil and water

### Construction

- Fabricated from 16- or 14-gauge carbon steel, type 304 stainless steel and type 316 stainless steel.
- Lids secured with captivated cover screws threaded into sealed wells.
- Oil resistant gasket applied to the doors.
- External mounting feet for wall or machinery mounting.
- Weld nuts for mounting optional subpanel.
- Chain not included, order as extra.

### Finish

Standard ANSI 61 gray finish on interior and exterior of enclosures. Recoatable, smooth, white or RAL 7035 texture

polyester powder coat available at no charge. Standard RAL and custom match finishes available for an additional charge. Please contact Milbank for further assistance. All powder coat finishes applied over cleaned phosphatized surfaces. Carbon steel subpanels have a white polyester powder coat finish. Stainless Steel enclosures have a polished #4 finish.

### Options

Milbank can modify standard enclosures or custom design enclosures according to your specifications. Holes, cutouts, sizes, materials and many more options are available. Quotations upon request.

### Industry Standards

- UL 50 Listed
- CUL 50 Listed
- Type 4 & 4X



Please consult serving utility for their requirements prior to ordering or installing, as specifications and approvals vary by utility, and may require local electrical inspector approval. All installations must be installed by a licensed electrician and must comply with all national and local codes, laws and regulations. Milbank reserves the right to make changes in specifications and features shown without notice or obligation.

# Screw Cover Junction Enclosures

55

Type 4 | JIC

Catalog Number			Product Size H x W x D	Ship. Wt.	Subpanel Part #	Subpanel Size H x W (in.)
Carbon Steel #	304 Stainless Steel #	316 Stainless Steel #				
SC443JIC4	SC443JIC4XS	SC443JIC4XZ	4 x 4 x 3	2	—	—
SC643JIC4	SC643JIC4XS	SC643JIC4XZ	6 x 4 x 3	3	A-64SBP	4.88 x 2.88
SC863JIC4	SC863JIC4XS	SC863JIC4XZ	8 x 6 x 3.5	5	A-86SBP	6.88 x 4.88
SC444JIC4	SC444JIC4XS	SC444JIC4XZ	4 x 4 x 4	2	—	—
SC644JIC4	SC644JIC4XS	SC644JIC4XZ	6 x 4 x 4	3	A-64SBP	4.88 x 2.88
SC884JIC4	SC884JIC4XS	SC884JIC4XZ	8 x 8 x 4	6	A-88SBP	6.88 x 6.88
SC664JIC4	SC664JIC4XS	SC664JIC4XZ	6 x 6 x 4	4	A-66SBP	4.88 x 4.88
SC666JIC4	SC666JIC4XS	SC666JIC4XZ	6 x 6 x 6	5	A-66SBP	4.88 x 4.88
SC866JIC4	SC866JIC4XS	SC866JIC4XZ	8 x 6 x 6	7	A-86SBP	6.88 x 4.88
SC1084JIC4	SC1084JIC4XS	SC1084JIC4XZ	10 x 8 x 4	8	A-108SBP	8.88 x 6.88
SC1264JIC4	SC1264JIC4XS	SC1264JIC4XZ	12 x 6 x 4	7	A-126SBP	10.88 x 4.88
SC12105JIC4	SC12105JIC4XS	SC12105JIC4XZ	12 x 10 x 5	12	A-1210SBP	10.88 x 8.88
SC1086JIC4	SC1086JIC4XS	SC1086JIC4XZ	10 x 8 x 6	9	A-108SBP	8.88 x 6.88
SC10106JIC4	SC10106JIC4XS	SC10106JIC4XZ	10 x 10 x 6	11	A-1010SBP	8.88 x 8.88
SC12126JIC4	SC12126JIC4XS	SC12126JIC4XZ	12 x 12 x 6	14	A-1212SBP	10.88 x 10.88
SC1486JIC4	SC1486JIC4XS	SC1486JIC4XZ	14 x 8 x 6	12	A-148SBP	12.88 x 6.88
SC14126JIC4	SC14126JIC4XS	SC14126JIC4XZ	14 x 12 x 6	16	A-1412SBP	12.88 x 10.88
SC16106JIC4	SC16106JIC4XS	SC16106JIC4XZ	16 x 10 x 6	16	A-1610SBP	14.88 x 8.88
SC16146JIC4	SC16146JIC4XS	SC16146JIC4XZ	16 x 14 x 6	20	A-1614SBP	14.88 x 12.88
SC12108JIC4	SC12108JIC4XS	SC12108JIC4XZ	12 x 10 x 8	15	A-1210SBP	10.88 x 8.88
SC14128JIC4	SC14128JIC4XS	SC14128JIC4XZ	14 x 12 x 8	19	A-1412SBP	12.88 x 10.88
SC16148JIC4	SC16148JIC4XS	SC16148JIC4XZ	16 x 14 x 8	23	A-1614SBP	14.88 x 12.88
SC161410JIC4	SC161410JIC4XS	SC161410JIC4XZ	16 x 14 x 10	26	A-1614SBP	14.88 x 12.88

Please consult serving utility for their requirements prior to ordering or installing, as specifications and approvals vary by utility, and may require local electrical inspector approval. All installations must be installed by a licensed electrician and must comply with all national and local codes, laws and regulations. Milbank reserves the right to make changes in specifications and features shown without notice or obligation.



**Applications**

NEMA 4 JIC enclosures are designed for use in areas that may be regularly hosed down or are otherwise very wet.

**Construction**

- Fabricated from 16- or 14-gauge carbon steel, type 304 or type 316 stainless steel with continuously welded seams.
- Door secured with zinc clamps on four sides.
- Stainless steel doors are secured with type 316 stainless steel clamps.
- Oil resistant gasket applied to the doors.
- External mounting feet for wall or machinery mounting.
- Weld nuts for mounting optional subpanel.

**Finish**

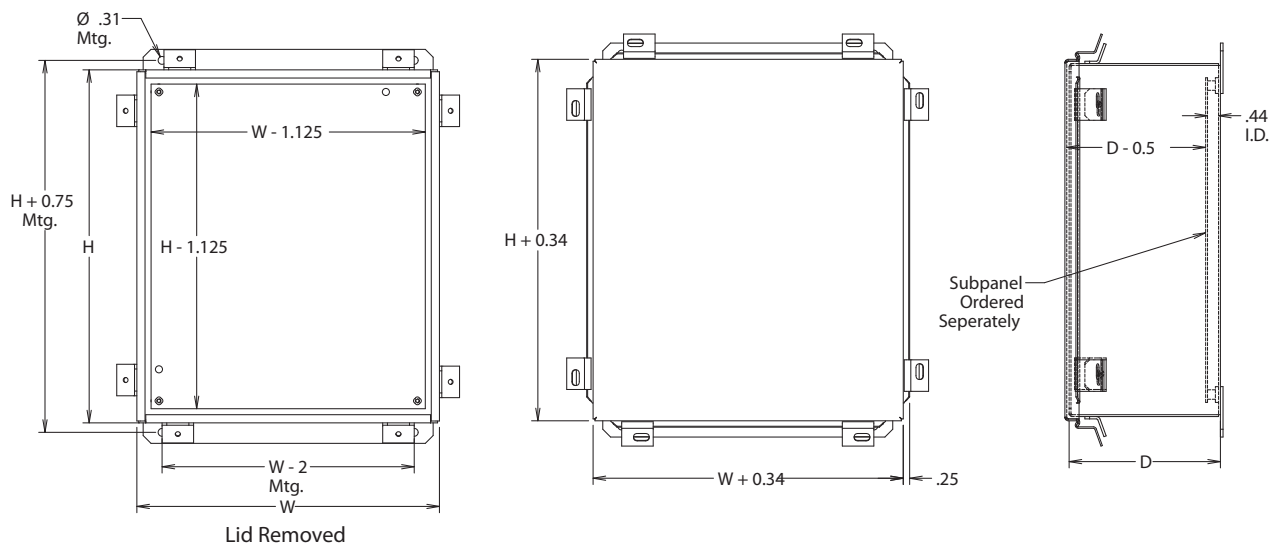
Standard ANSI 61 gray on interior and exterior of enclosures. Recoatable, smooth, white or RAL 7035 texture polyester powder coat finish available at no charge. Standard RAL and custom match finishes available for an additional charge. Please contact Milbank for further assistance. All powder coat finishes applied over cleaned phosphatized surfaces. Carbon steel subpanels have a white polyester powder coat finish. Stainless steel enclosures have a polished #4 finish.

**Options**

Milbank can modify standard enclosures or custom design enclosures according to your specifications. Holes, cutouts, sizes, materials and many more options are available. Quotations upon request.

**Industry Standards**

- UL 50 Listed
- CUL 50 Listed
- Type 4 & 4X



Please consult serving utility for their requirements prior to ordering or installing, as specifications and approvals vary by utility, and may require local electrical inspector approval. All installations must be installed by a licensed electrician and must comply with all national and local codes, laws and regulations. Milbank reserves the right to make changes in specifications and features shown without notice or obligation.



# Clamp Cover Junction Enclosures

57

Type 4 & 4X

Catalog Number			Product Size H x W x D	Ship. Weight (lbs)	Subpanel Part #	Subpanel Size H x W (in.)
Carbon Steel #	304 Stainless Steel #	316 Stainless Steel #				
CC443JIC4	CC443JIC4XS	CC443JIC4XZ	4 x 4 x 3	3	—	—
CC643JIC4	CC643JIC4XS	CC643JIC4XZ	6 x 4 x 3	4	A-64SBP	4.88 x 2.88
CC863JIC4	CC863JIC4XS	CC863JIC4XZ	8 x 6 x 3.5	7	A-86SBP	6.88 x 4.88
CC444JIC4	CC444JIC4XS	CC444JIC4XZ	4 x 4 x 4	4	—	—
CC644JIC4	CC644JIC4XS	CC644JIC4XZ	6 x 4 x 4	5	A-64SBP	4.88 x 2.88
CC664JIC4	CC664JIC4XS	CC664JIC4XZ	6 x 6 x 4	6	A-66SBP	4.88 x 4.88
CC884JIC4	CC884JIC4XS	CC884JIC4XZ	8 x 8 x 4	9	A-88SBP	6.88 x 6.88
CC1084JIC4	CC1084JIC4XS	CC1084JIC4XZ	10 x 8 x 4	11	A-108SBP	8.88 x 6.88
CC1264JIC4	CC1264JIC4XS	CC1264JIC4XZ	12 x 6 x 4	10	A-126SBP	10.88 x 4.88
CC12105JIC4	CC12105JIC4XS	CC12105JIC4XZ	12 x 10 x 5	17	A-1210SBP	10.88 x 8.88
CC666JIC4	CC666JIC4XS	CC666JIC4XZ	6 x 6 x 6	8	A-66SBP	4.88 x 4.88
CC866JIC4	CC866JIC4XS	CC866JIC4XZ	8 x 6 x 6	10	A-86SBP	6.88 x 4.88
CC1086JIC4	CC1086JIC4XS	CC1086JIC4XZ	10 x 8 x 6	14	A-108SBP	8.88 x 6.88
CC10106JIC4	CC10106JIC4XS	CC10106JIC4XZ	10 x 10 x 6	16	A-1010SBP	8.88 x 8.88
CC12126JIC4	CC12126JIC4XS	CC12126JIC4XZ	12 x 12 x 6	21	A-1212SBP	10.88 x 10.88
CC1486JIC4	CC1486JIC4XS	CC1486JIC4XZ	14 x 8 x 6	18	A-148SBP	12.88 x 6.88
CC14126JIC4	CC14126JIC4XS	CC14126JIC4XZ	14 x 12 x 6	24	A-1412SBP	12.88 x 10.88
CC16106JIC4	CC16106JIC4XS	CC16106JIC4XZ	16 x 10 x 6	23	A-1610SBP	14.88 x 8.88
CC16146JIC4	CC16146JIC4XS	CC16146JIC4XZ	16 x 14 x 6	30	A-1614SBP	14.88 x 12.88
CC12108JIC4	CC12108JIC4XS	CC12108JIC4XZ	12 x 10 x 8	22	A-1210SBP	10.88 x 8.88
CC14128JIC4	CC14128JIC4XS	CC14128JIC4XZ	14 x 12 x 8	28	A-1412SBP	12.88 x 10.88
CC16148JIC4	CC16148JIC4XS	CC16148JIC4XZ	16 x 14 x 8	34	A-1614SBP	14.88 x 12.88
CC161410JIC4	CC161410JIC4XS	CC161410JIC4XZ	16 x 14 x 10	39	A-1614SBP	14.88 x 12.88

**Note**

When height is equal to or less than 8 inches, there will be one set of clamps on that side.

Please consult serving utility for their requirements prior to ordering or installing, as specifications and approvals vary by utility, and may require local electrical inspector approval. All installations must be installed by a licensed electrician and must comply with all national and local codes, laws and regulations. Milbank reserves the right to make changes in specifications and features shown without notice or obligation.



**Applications**

NEMA 4 JIC enclosures are designed for use in areas that may be regularly hosed down or are otherwise very wet.

**Construction**

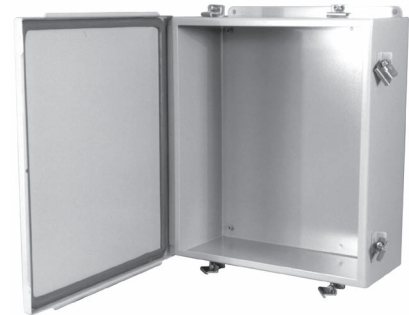
- Fabricated from 16- or 14-gauge carbon steel, 14-gauge type 304 or type 316 stainless steel with continuously welded seams.
- Continuous hinge with removable pin.
- Door secured with zinc clamps on three sides.
- Stainless steel doors are secured with type 316 stainless steel clamps.
- Oil resistant gasket applied to the doors.
- External mounting feet for wall or machinery mounting.
- Weld nuts for mounting subpanel.

**Finish**

Standard ANSI 61 gray on interior and exterior of enclosures. Recoatable, smooth, white or RAL 7035 texture polyester powder coat finish available at no charge. Standard RAL and custom match finishes available for an additional charge. Please contact Milbank for further assistance. All powder coat finishes applied over cleaned phosphatized surfaces. Carbon steel subpanels have a white polyester powder coat finish. Stainless steel enclosures have a polished #4 finish.

**Options**

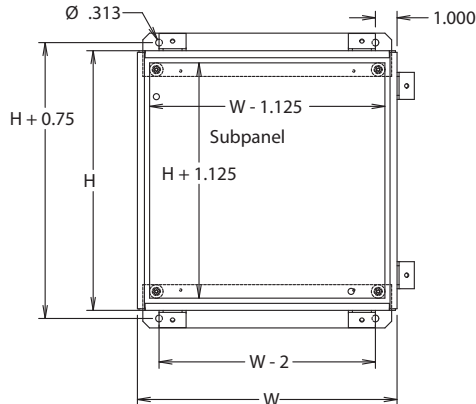
Milbank can modify standard enclosures or custom design enclosures according to your specifications. Holes, cutouts, sizes, materials and many more



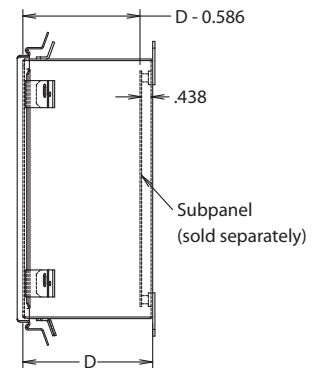
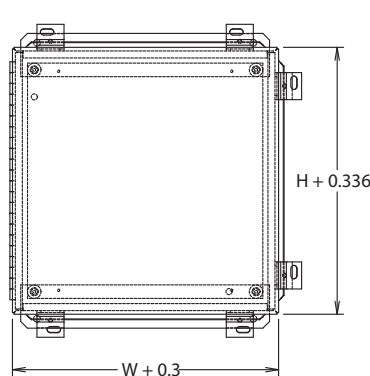
options are available. Quotations upon request.

**Industry Standards**

- UL 50 Listed
- CUL 50 Listed
- Type 4 & 4X



Lid Removed

**Note**

When height or width is equal to or less than 8 inches, there will be one set of clamps on that side.



Please consult serving utility for their requirements prior to ordering or installing, as specifications and approvals vary by utility, and may require local electrical inspector approval. All installations must be installed by a licensed electrician and must comply with all national and local codes, laws and regulations. Milbank reserves the right to make changes in specifications and features shown without notice or obligation.

# Continuous Hinge Cover Enclosures

## Type 4 & 4X

Catalog Number			Product Size H x W x D	Ship. Wt. (lbs)	Subpanel Part #	Subpanel Size H x W (in.)
Carbon Steel #	304 Stainless Steel #	316 Stainless Steel #				
HC443JIC4	HC443JIC4XS	HC443JIC4XZ	4 x 4 x 3	2	—	—
HC643JIC4	HC643 JIC4XS	HC643JIC4XZ	6 x 4 x 3	3	A-64SBP	4.88 x 2.88
HC863JIC4	HC863JIC4XS	HC863JIC4XZ	8 x 6 x 3.5	5	A-86SBP	6.88 x 4.88
HC444JIC4	HC444JIC4XS	HC444JIC4XZ	4 x 4 x 4	2	—	—
HC644JIC4	HC644JIC4XS	HC644JIC4XZ	6 x 4 x 4	3	A-64SBP	4.88 x 2.88
HC664JIC4	HC664JIC4XS	HC664JIC4XZ	6 x 6 x 4	4	A-66SBP	4.88 x 4.88
HC884JIC4	HC884JIC4XS	HC884JIC4XZ	8 x 8 x 4	6	A-88SBP	6.88 x 6.88
HC1084JIC4	HC1084JIC4XS	HC1084JIC4XZ	10 x 8 x 4	8	A-108SBP	8.88 x 6.88
HC1264JIC4	HC1264JIC4XS	HC1264JIC4XZ	12 x 6 x 4	7	A-126SBP	10.88 x 4.88
HC12105JIC4	HC12105JIC4XS	HC12105JIC4XZ	12 x 10 x 5	12	A-1210SBP	10.88 x 8.88
HC666JIC4	HC666JIC4XS	HC666JIC4XZ	6 x 6 x 6	5	A-66SBP	4.88 x 4.88
HC866JIC4	HC866JIC4XS	HC866JIC4XZ	8 x 6 x 6	7	A-86SBP	6.88 x 4.88
HC1086JIC4	HC1086JIC4XS	HC1086JIC4XZ	10 x 8 x 6	9	A-108SBP	8.88 x 6.88
HC10106JIC4	HC10106JIC4XS	HC10106JIC4XZ	10 x 10 x 6	11	A-1010SBP	8.88 x 8.88
HC12126JIC4	HC12126JIC4XS	HC12126JIC4XZ	12 x 12 x 6	14	A-1212SBP	10.88 x 10.88
HC1486JIC4	HC1486JIC4XS	HC1486JIC4XZ	14 x 8 x 6	12	A-148SBP	12.88 x 6.88
HC14126JIC4	HC14126JIC4XS	HC14126JIC4XZ	14 x 12 x 6	16	A-1412SBP	12.88 x 10.88
HC16146JIC4	HC16146JIC4XS	HC16146JIC4XZ	16 x 14 x 6	20	A-1614SBP	14.88 x 12.88
HC16106JIC4	HC16106JIC4XS	HC16106JIC4XZ	16 x 10 x 6	16	A-1610SBP	14.88 x 8.88
HC12108JIC4	HC12108JIC4XS	HC12108JIC4XZ	12 x 10 x 8	15	A-1210SBP	10.88 x 8.88
HC14128JIC4	HC14128JIC4XS	HC14128JIC4XZ	14 x 12 x 8	19	A-1412SBP	12.88 x 10.88
HC16148JIC4	HC16148JIC4XS	HC16148JIC4XZ	16 x 14 x 8	23	A-1614SBP	14.88 x 12.88

**Note**

When height is equal to or less than 8 inches, there will be one set of clamps on that side.

Please consult serving utility for their requirements prior to ordering or installing, as specifications and approvals vary by utility, and may require local electrical inspector approval. All installations must be installed by a licensed electrician and must comply with all national and local codes, laws and regulations. Milbank reserves the right to make changes in specifications and features shown without notice or obligation.



Attractive | Easy to Install | Secure | Cost-Effective

**Milbank Enclosed Controls** are pad-mounted, weather resistant electrical enclosures consisting of a utility pull section with optional meter socket, and a customer section containing distribution and control equipment. Commercial pedestals are an attractive, secure, easy to install and cost-effective solution when underground remote site power distribution and control equipment is required, replacing unsightly and inefficient strut and backboard structures.



Strut and backboard

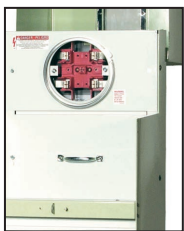


Commercial pedestal

## UL Listed as Industrial Control Equipment (File E113855)

### Standard Features

- Type 3R weather-resistant, vandal-resistant cabinet of polyurethane powder coated steel (aluminum or stainless steel also available)
- UL listed as enclosed industrial control equipment (UL508A)
- Isolated lockable and sealable utility metering and lug landing sections
- Lockable customer section for distribution and control equipment with internal deadfront
- Print pocket inside customer section door contains wiring schematics and installation instructions
- Load centers are UL listed for use with various manufacturers' circuit breakers
- All stainless steel external hardware (screws, bolts, hinges, handles, hasps and sealing screws)



Please consult serving utility for their requirements prior to ordering or installing, as specifications and approvals vary by utility, and may require local electrical inspector approval. All installations must be installed by a licensed electrician and must comply with all national and local codes, laws and regulations. Milbank reserves the right to make changes in specifications and features shown without notice or obligation.

# Enclosed Controls

Attractive | Easy to Install | Secure | Cost-Effective



## Applications

These units are ideal for metering, controlling or providing power distribution for the following:

- Traffic signals
- Street lighting
- Power distribution for electric vehicle charging stations
- Communication equipment such as cell towers and telephone vaults
- Event power for fairgrounds, swap meets, outdoor markets, portable offices, holiday lights, etc.
- Outdoor lighting for athletic fields, tennis and basketball courts, parking lots, landscaping and subdivision entrances, etc.

## Available Factory-Installed Options

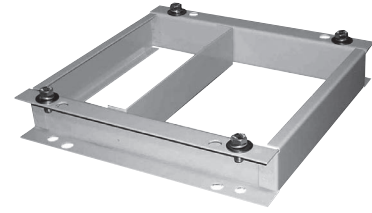
- Meter sockets: ring type or ringless, up to 400 Amps
- Main and branch breakers or T fuses
- Distribution: copper load centers and panel boards
- Clocks, timers and relays
- Photoelectric cells and controls
- Various power receptacles: pin and sleeve, twist lock or straight blade
- Contactors: lighting, definite purpose, motor starters
- Surge protection and lightning arrestors
- Generator inlets with interlocked breakers
- Push button controls
- Thermostat controls, fans and heating strips
- Power blocks and terminal blocks
- Steel, aluminum and plywood backboards
- Transformers
- Interlock devices for circuit breakers

## Options

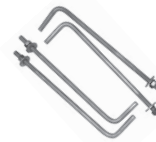
- Available in steel, aluminum (raw painted or anodized) or stainless steel construction with powder coated finish available in eight standard colors or special-ordered RAL colors
- Available for applications up to 400 Amps, 120V, 208V, 240V, 277V, 480V - 1Ø or 3Ø

Please consult serving utility for their requirements prior to ordering or installing, as specifications and approvals vary by utility, and may require local electrical inspector approval. All installations must be installed by a licensed electrician and must comply with all national and local codes, laws and regulations. Milbank reserves the right to make changes in specifications and features shown without notice or obligation.

## Accessories



Padmount bases available for all pedestal sizes, inquire with your representative for details



### CP-ABK5/8

Anchor bolt kit (includes four 5/8 - 13 x 18" anchor bolts)



### 105J

Fifth terminal kit for use with ring type meter sockets



### K3865

Fifth terminal kit for use with ringless meter sockets



### CP-TC7D

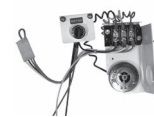
7-day time clock kit

### CP-TC24H

24-hour time clock kit

### CP-TCWIRE

Male 4-pin connector and wiring harness for use with time clocks other than above



### CP-PE-HOA-3POS

HOA switch for field installation



### Surface-Mount Commercial Pedestal

Originally developed for small cellular communications, the surface-mount enclosed control offers the flexibility of larger enclosed controls products with a smaller footprint and several mounting options.

#### Features

- Easy installation
- Overhead and underground entry and exit, all in one unit
- Meter and components in one enclosure
- UL508A & UL891
  - Custom component configurations
  - UL listing covers all internal components
- Can be mounted on multiple surfaces
  - Walls
  - Poles – narrow profile will have minimal extension past sides
  - H Frames (Strut)
- Multiple bypass options available
- Monitoring options available
- Can be powder coated in any Milbank standard EC color or custom color.



#### Benefits

- Does not take up sidewalk space
- Flood resistant
- Eliminates need for connecting components - Wire in - Wire Out

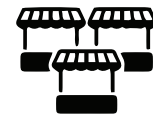
#### Applications



Communications  
Power  
Distribution



Lighting  
Control



Streetscape  
Power  
Distribution



Please consult serving utility for their requirements prior to ordering or installing, as specifications and approvals vary by utility, and may require local electrical inspector approval. All installations must be installed by a licensed electrician and must comply with all national and local codes, laws and regulations. Milbank reserves the right to make changes in specifications and features shown without notice or obligation.

## Main Load Center Commercial Pedestals

### Main Load Center Commercial Pedestal

1Ø3 wire 120/240V or 208Y/120V

*Application: remote site service for multiple loads*

**Milbank Main Load Center Commercial Pedestals** are designed to handle the vast majority of all requirements in a standard, stocked configuration.

- All units feature a load center with a plug-on, back-fed main breaker.
- Standard units are equipped with with a 16 circuit load center in the 100 Amps or 24 circuit load center in 200 Amps models
- Sub-feed lug to allow feeding an external panel.

If your application requires turning loads on based on “dusk-to-dawn” requirements, be sure to see the Milbank Switched Load Center Commercial Pedestal products on the following page.

### Features

These units include everything required for remote site service:

- Expandable: load centers allow for future expansion without costly modifications.
- All units feature a 200 Amps meter socket with optional field-installable fifth terminal kit available.
- 22K Amps interrupting capacity (AIC) standard.
- Optional mounting base can be embedded in concrete for fast, easy installation.
- Separate sealable and lockable utility termination section.
- Separate sealable and lockable metering section.
- Separate sealable and lockable customer section with a load center for “always on” loads that include a main circuit breaker, 20 (125 or 200 Amps model) or 14 (100 Amps model) blank breaker spaces and a circuit directory to document configuration.



Please consult serving utility for their requirements prior to ordering or installing, as specifications and approvals vary by utility, and may require local electrical inspector approval. All installations must be installed by a licensed electrician and must comply with all national and local codes, laws and regulations. Milbank reserves the right to make changes in specifications and features shown without notice or obligation.



## Switched Load Center Commercial Pedestals

1Ø3 wire 120/240V or 208Y/120V

Designed not only to provide power for various loads, but also to switch specific loads on and off under certain conditions. A photoelectric cell is used for these controlled loads, and an optional time clock is also available.

### Features

These units include everything required for remote site service:

- Expandable: load centers allow for future expansion without costly modifications.
- All units feature a 200 Amps meter socket with optional field-installable fifth terminal kit available.
- 22K Amps interrupting capacity (AIC) standard.
- Optional mounting base can be embedded in concrete for fast, easy installation.
- Separate sealable and lockable utility termination section.
- Separate sealable and lockable metering section.
- Separate sealable and lockable customer section with a control circuit including PE receptacle, Lexan® window, glare shield, Hand-Off-Auto (HOA) switch, contractor controlling a 16-circuit load center for controlled loads, a pre-mounted DIN rail and pre-wired connector to add an optional "plug-and-play" time clock kit for PE on and TC off operation and a circuit directory to document configuration.
- A load center for "always on" loads that includes a main circuit breaker, a control power circuit breaker, a switched load center main breaker, nine (125 or 200 Amps model) or 11 (100 Amps model) blank breaker spaces and a circuit directory to document configuration.



Ringless Lever Bypass shown

### Applications



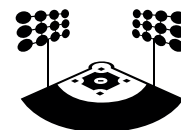
Traffic Signals



Parking Lots



Highways



Athletic Field Lighting



Please consult serving utility for their requirements prior to ordering or installing, as specifications and approvals vary by utility, and may require local electrical inspector approval. All installations must be installed by a licensed electrician and must comply with all national and local codes, laws and regulations. Milbank reserves the right to make changes in specifications and features shown without notice or obligation.



# Enclosed Controls

## 400 Amps Commercial Pedestals



Designed to provide a weather and vandal resistant metered enclosure for various loads and distribution. Each pedestal has been designed to handle a wide range of applications using standard, stocked configurations.

- Choice of a single main breaker or twin service disconnect breakers gives flexibility to the pedestal design.
- Optional distribution with feed-through lugs below the service disconnect breakers allows the pedestal to handle numerous applications.
- Typical applications include remote homes where the metering is best located at the curb side or other remote area. The pedestal can also provide power to secondary residence, on-site business, workshop, irrigation, lighting, security or other secondary load.
- Refer to page 18 for color options

### Features

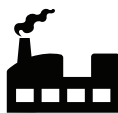
---

These units include everything required for remote service:

- Main circuit breaker or dual service disconnects
- Expandable: load center units allow for future expansion without costly modifications
- Optional mounting base can be embedded in concrete for fast, easy installation
- Separate sealable and lockable utility termination section with lug termination
- Separate sealable and lockable metering section
- A separate sealable and lockable customer section with a circuit directory and a print pocket to hold all documentation
- Meter socket options include ring type with bypass studs, ringless with heavy duty lever bypass, or K-Type bolt-on

### Applications

---



Commercial Job Sites



Remote Site for  
Residential &  
Commercial Job Sites

Please consult serving utility for their requirements prior to ordering or installing, as specifications and approvals vary by utility, and may require local electrical inspector approval. All installations must be installed by a licensed electrician and must comply with all national and local codes, laws and regulations. Milbank reserves the right to make changes in specifications and features shown without notice or obligation.



## Battery Backup Commercial Pedestals



Designed to provide battery backup power for various loads, and to switch specific loads on and off under certain conditions; a photoelectric cell or time clock to control lighting circuits, as an example. Metered and unmetered power distribution options are available. The back-up power pedestal is designed to handle the vast majority of today's back-up power requirements. By using a 19" rack design, shelves can be adjusted to accommodate the required batteries and manufactures DC to AC inverters, transfer switches and other related equipment. This design gives the user a wide range of design and configuration options. Complete turnkey, ready to power-up pedestals are offered along with basic units ready to accept batteries and inverters supplied by others.

### Features

- 100 through 320 Amps meter socket with the option of either a ring type socket (conforms to EUSERC 308) with or without test/bypass blocks or a heavy duty ringless socket with lever bypass
- Separate sealable utility termination compartment
- An isolated separate customer section with service disconnects, power distribution options and power control
- 19" wide rack in customer compartment for easy layout of equipment
- Battery trays
- Thermostat with cooling fan
- Filtered louvers for heat rise flow through ventilation
- Three point door latch (key or pad lockable)

### Note

- May require customization based on regional requirements

### Applications



Traffic Signals

Communications  
Power Distribution

Parking Lots

Camera & Security  
Locations

### Options

- Manual bypass switch
- Transfer switch for generator power back-up
- Generator inlet receptacles 30 Amps through 200 Amps
- Pad lockable provision for receptacles
- Police access door
- Metered load center distribution
- Unmetered load center distribution
- Photo electric controls (for street lighting)
- Time clocks
- HOA switches
- Contactors
- GFCI duplex receptacles
- Thermostat for heating control
- Heating pads or elements
- Roll out shelves for batteries
- Surge arrestors and lighting arrestors



Please consult serving utility for their requirements prior to ordering or installing, as specifications and approvals vary by utility, and may require local electrical inspector approval. All installations must be installed by a licensed electrician and must comply with all national and local codes, laws and regulations. Milbank reserves the right to make changes in specifications and features shown without notice or obligation.

# Enclosed Controls

## Power Transfer Commercial Pedestals

67



Providing metered or unmetered AC power, distribution, surge suppression, mechanical interlock and stand-by generator receptacle — all in a neat, compact pedestal.

### Features

- 120/240V 1Ø3W through 277/480V 3Ø4W ratings
- Metered or unmetered units
- Choice of EUSERC ring type or ringless meter sockets
- 60 Amps through 400 Amps ratings
- Pad lockable, isolated utility compartments
- 20 Amps GFI convenience receptacle
- Lockable recessed generator receptacle door
- Utility and generator indicator light options
- All stainless steel hardware
- Galvanized steel, aluminum or stainless steel cabinet options
- Custom designs available

### Note

- May require customization based on regional requirements



### Applications



Traffic Signals



Pump & Lift Stations



Communications  
Power Distribution

Please consult serving utility for their requirements prior to ordering or installing, as specifications and approvals vary by utility, and may require local electrical inspector approval. All installations must be installed by a licensed electrician and must comply with all national and local codes, laws and regulations. Milbank reserves the right to make changes in specifications and features shown without notice or obligation.





Designed to be used where a smaller service package would be a better choice over larger switchgear equipment, these pedestals have amperage ratings of 400 to 800 Amps at voltages up through 480 VAC three phase.

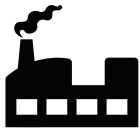
### Features

- Up to 800 Amps
- A low profile CT pedestal
- All utility equipment is isolated in separated pad lockable and sealable compartments
- Separate customer compartment designed to hold distribution and control equipment
- Deadfront customer construction
- Optional mounting base
- Optional construction in steel, aluminum and stainless steel
- Wide choice of powder paint colors

### Note

- May require customization based on regional requirements

### Applications



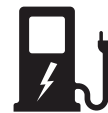
Commercial &  
Industrial Control  
Systems



Pump & Lift  
Stations



Water Treatment  
Plants



Electric Vehicle  
Charging Stations



Please consult serving utility for their requirements prior to ordering or installing, as specifications and approvals vary by utility, and may require local electrical inspector approval. All installations must be installed by a licensed electrician and must comply with all national and local codes, laws and regulations. Milbank reserves the right to make changes in specifications and features shown without notice or obligation.

# Enclosed Controls

## Slimline Commercial Pedestals



Provides a sleeker, smaller footprint, with wireway access on the side of the unit rather than the back, allowing maximum flexibility to place the pedestal anywhere physical space is at premium.

Providing unmetered AC power, distribution, surge suppression, mechanical interlock and stand-by generator receptacle — all in a neat, compact pedestal.

### Features

- 100 or 200 Amps
  - Vandal-resistant, secure and attractive design
  - Customer compartment with distribution and control equipment with swing Deadfront door, secured with both a hasp/latch and draw latch outer door
  - Utility metering compartment protected with a hinged hood, increasing resistance to meter vandalism
  - Small footprint
  - Wireway located on left side of pedestal for utility incoming wire, allowing pedestal to be mounted with back as close as 14" to walls or structures
  - Available in 12" and 20" widths and 50" and 63" (metered) and 43" (unmetered) heights
  - Includes a print pocket for plans and drawings
  - Voltage range: 120V–480V
  - Compatible with both ringless and ring type meter sockets, 4–7 terminals
  - Available in a wide array of colors, including but not limited to all ANSI powder coated paint colors upon request
- Pedestal mounting base option saves time and labor to install on a cement pad—no anchor bolts required
  - Powder coated G90 galvanized steel or Aluminum; raw, anodized or powder coated, as well as stainless steel exterior options

### Note

- May require customization based on regional requirements

**Direct bury pedestals** offer many advantages. With no need to coordinate, buy or wait for concrete, installation time can be cut down to less than an hour. Traditional direct bury pedestals are awkward to transport and handle and can only be used in a direct bury application. Milbank's modular design offers flexibility and convenience for distributors and contractors alike.

It's constructed with 14 gauge steel and only available for 12" pedestals.



Water Treatment  
Plants



Highways



Parks &  
Landscaping



Please consult serving utility for their requirements prior to ordering or installing, as specifications and approvals vary by utility, and may require local electrical inspector approval. All installations must be installed by a licensed electrician and must comply with all national and local codes, laws and regulations. Milbank reserves the right to make changes in specifications and features shown without notice or obligation.



1010120-GHC1-NK..... 37	10106-SC1-NK..... 9	10124-SC3R..... 18	121248-GSC3R..... 41	121296-GSC1-NK..... 34
1010120-GSC1..... 33	10106-SC1-NK-NP..... 10	10126-LC1..... 16	121248-GSC3R-NK..... 41	121296-GSC1-NK-NP..... 34
1010120-GSC1-NK..... 34	10106-SC1-NP..... 10	10126-SC1..... 10	121248-GSC3R-NK-NP..... 41	121296-GSC3R..... 41
1010120-GSC1-NK-NP..... 34	10106-SC3R..... 18	10126-SC1-NK..... 10	12124-HC1..... 14	121296-GSC3R-NK..... 41
1010120-GSC3R..... 41	10106-SC3R-NK..... 18	10126-SC1-NP..... 10	12124-HC1-NK..... 14	121296-GSC3R-NK-NP..... 41
1010120-GSC3R-NK..... 41	10106-SC3R-NK-NP..... 18	10126-SC3R..... 18	12124-HC1-NK-NP..... 14	1212FLC..... 28
1010120-GSC3R-NK-NP... 41	10106-WSC2..... 25	10126-SC3R-NK..... 18	12124-HC3R..... 21	1212GC..... 44
1010120-GSC3R-NK-NP... 41	101072-GHC1..... 37	10126-SC3R-NK-NP..... 18	12124-LC1..... 16	1212GCU..... 44
10101212GR..... 44	101072-GSC1..... 33	10126-TC3R..... 23	12124-SC1..... 10	1212GE..... 43
101012-GHC1-NK..... 37	101072-GSC1-NK..... 33	1012FLC..... 28	12124-SC1-NK..... 10	1212GE-NK..... 43
101012-GSC1..... 33	101072-GSC1-NK-NP..... 33	1012TFLC..... 26	12124-SC1-NK-NP..... 10	1212GE-NK-NP..... 43
101012-GSC1-NK..... 33	101072-GSC3R..... 40	1012TSC..... 27	12124-SC1-NP..... 10	1212GE-NP..... 43
101012-GSC1-NK-NP..... 33	101072-GSC3R-NK..... 40	1012WB..... 30	12124-SC3R..... 18	1212GEU..... 43
101024-GHC1-NK..... 37	101072-GSC3R-NK-NP.... 40	1012XSC1..... 12	12124-SC3R-NK..... 18	1212GEU-NK..... 43
101024-GSC1..... 33	101096-GHC1-NK..... 37	1012XSC3R..... 20	12124-SC3R-NK-NP..... 18	1212GEU-NK-NP..... 43
101024-GSC1-NK..... 33	101096-GSC1..... 33	10X12GSC1..... 34	12124-SC3R-NP..... 18	1212GF..... 45
101024-GSC1-NK-NP..... 33	101096-GSC1-NK..... 33	10X24GSC1..... 34	12124-WSC2..... 25	1212GFL90IS..... 46
101024-GSC3R..... 40	101096-GSC1-NK-NP..... 33	10X36GSC1..... 34	121260-GHC1..... 37	1212GFL90S..... 46
101024-GSC3R-NK..... 40	101096-GSC3R..... 40	10X48GSC1..... 34	121260-GHC1-NK..... 37	1212GF-NP..... 45
101024-GSC3R-NK-NP.... 40	101096-GSC3R-NK..... 41	10X60GSC1..... 34	121260-GHC1-NK-NP..... 37	1212GFT..... 45
101036-GHC1-NK..... 37	101096-GSC3R-NK-NP.... 41	12106-WSC2..... 25	121260-GSC1..... 34	1212GH..... 44
101036-GSC1..... 33	1010FLC..... 28	1212120-GHC1..... 37	121260-GSC1-NK..... 34	1212GT..... 45
101036-GSC1-NK..... 33	1010GC..... 44	1212120-GHC1-NK..... 37	121260-GSC1-NK-NP..... 34	1212GTF..... 45
101036-GSC1-NK-NP..... 33	1010GCU..... 44	1212120-GSC1..... 34	121260-GSC3R..... 41	1212GT-NP..... 45
101036-GSC3R..... 40	1010GE..... 43	1212120-GSC1-NK..... 34	121260-GSC3R-NK..... 41	1212GX..... 42
101036-GSC3R-NK..... 40	1010GE-NK..... 43	1212120-GSC1-NK-NP.... 34	121260-GSC3R-NK-NP.... 41	1212L45C..... 47
101036-GSC3R-NK-NP.... 40	1010GE-NK-NP..... 43	1212120-GSC1-NP..... 34	12126-HC1..... 14	1212L45C-NP..... 47
101048-GHC1-NK..... 37	1010GEU..... 43	1212120-GSC3R..... 41	12126-HC1-NK..... 14	1212L45S..... 47
101048-GSC1..... 33	1010GEU-NK..... 43	1212120-GSC3R-NK..... 41	12126-HC1-NK-NP..... 14	1212L45S-NP..... 47
101048-GSC1-NK..... 33	1010GEU-NK-NP..... 43	1212120-GSC3R-NK-NP... 41	12126-HC3R..... 21	1212L90C..... 47
101048-GSC1-NK-NP..... 33	1010GF..... 45	121212-GSC1..... 34	12126-HC3R-NK..... 21	1212L90C-NP..... 47
101048-GSC3R..... 40	1010GFL90IS..... 46	121212-GSC1-NK..... 34	12126-LC1..... 16	1212L90S..... 47
101048-GSC3R-NK..... 40	1010GFL90OS..... 46	121212-GSC1-NK-NP..... 34	12126-SC1..... 10	1212L90S-NP..... 47
101048-GSC3R-NK-NP.... 40	1010GFL90S..... 46	121212-SC1-NK..... 10	12126-SC1-NK..... 10	1212TFLC..... 26
10104-HC1..... 14	1010GF-NP..... 45	121212-SC3R-NK..... 18	12126-SC1-NK-NP..... 10	1212TSC..... 27
10104-HC1-NK..... 14	1010GH..... 44	121212-SC3R-NK-NP..... 19	12126-SC1-NP..... 10	1212WB..... 30
10104-HC3R..... 21	1010GT..... 45	1212144-GSC3R..... 41	12126-SC3R..... 18	1212XSC1..... 12
10104-LC1..... 16	1010GTF..... 45	1212144-GSC3R-NK..... 41	12126-SC3R-NK..... 18	1212XSC3R..... 20
10104-SC1..... 9	1010GT-NP..... 45	1212144-GSC3R-NK-NP... 41	12126-SC3R-NK-NP..... 18	12164-SC1..... 10
10104-SC1-NK..... 9	1010GX..... 42	121224-GHC1..... 37	12126-SC3R-NP..... 18	12164-SC1-NK..... 10
10104-SC1-NK-NP..... 9	1010L45C..... 47	121224-GHC1-NK..... 37	12126-TC3R..... 23	12164-SC1-NK-NP..... 10
10104-SC1-NP..... 9	1010L45C-NP..... 47	121224-GSC1..... 34	12126-WSC2..... 25	12164-SC1-NP..... 10
10104-SC3R..... 18	1010L45S..... 47	121224-GSC1-NK..... 34	121272-GSC1..... 34	12164-SC3R..... 19
10104-SC3R-NK..... 18	1010L45S-NP..... 47	121224-GSC1-NK-NP.... 34	121272-GSC1-NK..... 34	12164-SC3R-NK..... 19
10104-SC3R-NK-NP..... 18	1010L90C..... 47	121224-GSC3R..... 41	121272-GSC1-NK-NP.... 34	12166-LC1..... 16
10104-SC3R-NP..... 18	1010L90C-NP..... 47	121224-GSC3R-NK..... 41	121272-GSC3R..... 41	12166-SC1..... 10
10104-WSC2..... 25	1010L90S..... 47	121224-GSC3R-NK-NP.... 41	121272-GSC3R-NK..... 41	12166-SC1-NK..... 10
101060-GHC1..... 37	1010L90S-NP..... 47	121236-GHC1-NK..... 37	121272-GSC3R-NK-NP.... 41	12166-SC1-NK-NP..... 10
101060-GHC1-NK..... 37	1010TFLC..... 26	121236-GHC1-NK-NP..... 37	12128-SC1..... 10	12166-SC1-NP..... 10
101060-GSC1..... 33	1010TSC..... 27	121236-GSC1..... 34	12128-SC1-NK..... 10	12166-SC3R..... 19
101060-GSC1-NK..... 33	1010WB..... 30	121236-GSC1-NK..... 34	12128-SC1-NK-NP..... 10	12166-SC3R-NK..... 19
101060-GSC1-NK-NP..... 33	1010XSC1..... 12	121236-GSC1-NK-NP.... 34	12128-SC1-NP..... 10	12166-TC3R..... 23
101060-GSC3R..... 40	1010XSC3R..... 20	121236-GSC3R..... 41	12128-SC3R..... 18	1216FLC..... 28
101060-GSC3R-NK..... 40	10124-HC1..... 14	121236-GSC3R-NK..... 41	12128-SC3R-NK..... 18	1216XSC1..... 12
101060-GSC3R-NK-NP.... 40	10124-LC1..... 16	121236-GSC3R-NK-NP.... 41	12128-SC3R-NK-NP..... 18	121810-SC1..... 10
10106-HC1..... 14	10124-SC1..... 10	121248-GHC1-NK..... 37	12128-SC3R-NK-NP..... 18	121810-SC3R..... 19
10106-HC1-NK..... 14	10124-SC1-NK..... 10	121248-GSC1..... 34	12128-WSC2..... 25	121812-SC3R-NK..... 19
10106-LC1..... 16	10124-SC1-NK-NP..... 10	121248-GSC1-NK..... 34	121296-GHC1..... 37	12184-HC1..... 14
10106-SC1..... 9	10124-SC1-NP..... 10	121248-GSC1-NK-NP.... 34	121296-GHC1-NK..... 37	12184-SC1..... 10
			121296-GSC1..... 34	



Please consult serving utility for their requirements prior to ordering or installing, as specifications and approvals vary by utility, and may require local electrical inspector approval. All installations must be installed by a licensed electrician and must comply with all national and local codes, laws and regulations. Milbank reserves the right to make changes in specifications and features shown without notice or obligation.

12184-SC1-NK.....	10	16206-TC3R.....	23	18246-SC1-NK-NP.....	11	2272-GHC1-NK.....	36	24246-SC1-NK-NP.....	11
12184-SC1-NK-NP.....	10	181810-SC1.....	11	18246-SC1-NP.....	11	2272-GSC1.....	32	24246-SC1-NP.....	11
12184-SC3R.....	19	181810-SC1-NK.....	11	18246-SC3R.....	19	2272-GSC1-NK.....	32	24246-SC3R.....	19
12184-SC3R-NK.....	19	181810-SC1-NK-NP.....	11	18246-SC3R-NK.....	19	2272-GSC1-NK-NP.....	32	24246-SC3R-NK.....	19
12186-HC3R.....	21	181810-SC3R.....	19	18246-SC3R-NK-NP.....	19	2296-GHC1-NK.....	36	24246-SC3R-NK-NP.....	19
12186-SC1.....	10	181810-SC3R-NK.....	19	18246-TC3R.....	23	2296-GSC1-NK.....	32	24246-WSC2.....	25
12186-SC1-NK.....	10	181812-SC1.....	11	18248-SC1.....	11	22GC.....	44	24248-LC1.....	16
12186-SC1-NK-NP.....	10	181812-SC1-NK.....	11	18248-SC1-NK.....	11	22GCU.....	44	24248-SC1.....	11
12186-SC3R.....	19	181812-SC1-NK-NP.....	11	18248-SC1-NK-NP.....	11	22GE.....	43	24248-SC1-NK.....	11
12186-SC3R-NK.....	19	181812-SC3R.....	19	18248-SC3R.....	19	22GE-NK.....	43	24248-SC1-NK-NP.....	11
12186-SC3R-NK-NP.....	19	181812-SC3R-NK.....	19	18248-SC3R-NK.....	19	22GE-NK-NP.....	43	24248-SC3R.....	19
12186-TC3R.....	23	18184-SC1.....	10	18248-SC3R-NK-NP.....	19	22GE-NP.....	43	24248-SC3R-NK.....	19
12188-SC1.....	10	18184-SC1-NK.....	10	1824FLC.....	28	22GEU.....	43	24248-SC3R-NK-NP.....	19
12188-SC1-NK.....	10	18184-SC1-NK-NP.....	10	1824TFLC.....	26	22GF.....	45	24248-TC3R.....	23
12188-SC1-NK-NP.....	10	18184-SC1-NP.....	10	1824TSC.....	27	22GFE.....	43	24248-WSC2.....	25
12188-SC3R.....	19	18184-SC3R.....	19	1824WB.....	30	22GFE-NK.....	43	2424FLC.....	28
12188-SC3R-NK.....	19	18184-SC3R-NK.....	19	1824XSC1.....	12	22GFL90IS.....	46	2424TFLC.....	26
12188-SC3R-NK-NP.....	19	18184-SC3R-NK-NP.....	19	1824XSC3R.....	20	22GFL90OS.....	46	2424TSC.....	27
1218FLC.....	28	18184-WSC2.....	25	20206-LC1.....	16	22GFL90OS-NP.....	46	2424WB.....	30
1218TFLC.....	26	18186-HC1.....	14	20208-TC3R.....	23	22GFL90S.....	46	2424XSC1.....	12
1218TSC.....	27	18186-HC1-NK.....	14	20208-WSC2.....	25	22GFT.....	45	2424XSC3R.....	20
1218WB.....	30	18186-HC1-NK-NP.....	14	20246-LC1.....	16	22GFT-NP.....	45	243010-SC1.....	11
1218XSC1.....	12	18186-LC1.....	16	20248-LC1.....	16	22GH.....	44	243010-SC1-NK.....	11
12206-LC1.....	16	18186-SC1.....	10	20248-TC3R.....	23	22GT.....	45	243010-SC1-NK-NP.....	11
12244-SC1.....	10	18186-SC1-NK.....	10	22120-GHC1.....	36	22GTF.....	45	243010-SC3R.....	19
12244-SC1-NK.....	10	18186-SC1-NK-NP.....	11	22120-GHC1-NK.....	36	22GT-NP.....	45	243010-SC3R-NK.....	19
12246-SC1.....	10	18186-SC1-NP.....	11	22120-GSC1.....	32	22GX.....	42	243012-SC1.....	11
12246-SC1-NK.....	10	18186-SC3R.....	19	22120-GSC1-NK.....	32	22GX-NP.....	42	243012-SC1-NK-NP.....	11
12246-SC1-NK-NP.....	10	18186-SC3R-NK.....	19	22120-GSC1-NK-NP.....	32	22L45C.....	47	243012-SC3R.....	16
12246-SC3R.....	19	18186-SC3R-NK-NP.....	19	2212-GHC1.....	35	22L45C-NP.....	47	24306-LC1.....	16
1224FLC.....	28	18186-TC3R.....	23	2212-GHC1-NK.....	35	22L45S.....	47	24306-TC3R.....	23
1224TFLC.....	26	18186-WSC2.....	25	2212-GHC1-NK-NP.....	35	22L45S-NP.....	47	24308-SC1.....	11
1224TSC.....	27	18188-HC3R.....	21	2212-GSC1.....	31	22L90C.....	47	24308-SC1-NK.....	11
1224WB.....	30	18188-SC1.....	11	2212-GSC1-NK.....	31	22L90C-NP.....	47	24308-SC1-NK-NP.....	11
1224XSC1.....	12	18188-SC1-NK.....	11	2212-GSC1-NK-NP.....	31	22L90S.....	47	2430FLC.....	28
1284-HC1.....	14	18188-SC1-NK-NP.....	11	2218-GHC1.....	35	22L90S-NP.....	47	2430TFLC.....	26
12X24GSC1.....	34	18188-SC1-NP.....	11	2218-GHC1-NK-NP.....	35	242410-HC3R.....	21	2430TSC.....	27
12X36GSC1.....	34	18188-SC3R.....	19	2218-GSC1.....	31	242410-SC1.....	11	2430WB.....	30
12X48GSC1.....	34	18188-SC3R-NK.....	19	2218-GSC1-NK.....	31	242410-SC1-NK.....	11	2430XSC1.....	12
12X60GSC1.....	34	18188-SC3R-NK-NP.....	19	2218-GSC1-NK-NP.....	31	242410-SC1-NK-NP.....	11	243610-SC1.....	11
12X72GSC1.....	34	18188-SC3R-NP.....	19	2218-GSC1-NP.....	31	242410-SC3R.....	19	243610-SC1-NK.....	12
15186-SC1.....	10	1818FLC.....	28	2224-GHC1.....	35	242410-SC3R-NK.....	19	243612-SC1.....	12
15186-SC1-NK.....	10	1818TFLC.....	26	2224-GHC1-NK.....	35	242410-SC3R-NK-NP.....	19	243612-SC1-NK.....	12
15186-SC1-NK-NP.....	10	1818TSC.....	27	2224-GSC1.....	31	242410-TC3R.....	23	243612-SC1-NK-NP.....	12
1518XSC1.....	12	1818WB.....	30	2224-GSC1-NK.....	32	242412-LC1.....	16	243612-SC3R.....	19
16164-SC1.....	10	1818XSC1.....	12	2224-GSC1-NK-NP.....	32	242412-SC1.....	11	243612-SC3R-NK.....	19
16164-SC1-NK.....	10	1818XSC3R.....	20	2236-GHC1.....	35	242412-SC1-NK.....	11	24366-LC1.....	16
16164-SC1-NK-NP.....	10	182410-SC1.....	11	2236-GHC1-NK.....	35	242412-SC1-NK-NP.....	11	24366-SC1.....	11
16164-SC3R.....	19	182410-SC1-NK.....	11	2236-GHC1-NK-NP.....	36	242412-SC3R.....	19	24366-SC1-NK.....	11
16166-LC1.....	16	182410-SC1-NK-NP.....	11	2236-GSC1.....	32	242412-SC3R-NK.....	19	24366-SC1-NK-NP.....	11
16166-SC1.....	10	182410-SC3R.....	19	2236-GSC1-NK.....	32	242412-SC3R-NK-NP.....	19	24366-SC1-NP.....	11
16166-SC1-NK.....	10	182412-SC1.....	11	2244GR.....	44	242412-WSC2.....	25	24366-TC3R.....	23
16166-SC1-NK-NP.....	10	182412-SC1-NK.....	11	2248-GHC1.....	36	24244-SC1.....	11	24368-LC1.....	16
16166-SC1-NP.....	10	182412-SC1-NK-NP.....	11	2248-GHC1-NK.....	36	24244-SC1-NK.....	11	24368-SC1.....	11
16166-SC3R.....	19	18244-SC1.....	11	2248-GSC1.....	32	24244-SC1-NK-NP.....	11	24368-SC1-NK.....	11
16166-SC3R-NK.....	19	18244-SC1-NK.....	11	2248-GSC1-NK.....	32	24244-SC1-NP.....	11	24368-SC1-NK-NP.....	11
16166-TC3R.....	23	18244-SC1-NK-NP.....	11	2260-GHC1.....	36	24244-SC3R.....	19	2436FLC.....	28
16166-WSC2.....	25	18246-HC1.....	14	2260-GHC1-NK.....	36	24244-SC3R-NP.....	19	2436TFLC.....	26
1616FLC.....	28	18246-HC1-NK.....	14	2260-GSC1.....	32	24246-LC1.....	16	2436TSC.....	27
1616XSC1.....	12	18246-SC1.....	11	2260-GSC1-NK.....	32	24246-SC1.....	11	2436WB.....	30
16206-LC1.....	16	18246-SC1-NK.....	11	2272-GHC1.....	36	24246-SC1-NK.....	11	2436XSC1.....	12

Please consult serving utility for their requirements prior to ordering or installing, as specifications and approvals vary by utility, and may require local electrical inspector approval. All installations must be installed by a licensed electrician and must comply with all national and local codes, laws and regulations. Milbank reserves the right to make changes in specifications and features shown without notice or obligation.



2448TFLC.....	26	36366-SC1-NK.....	12	4448-GSC3R.....	39	464-SC1-NK.....	9
2448TSC.....	27	36366-SC1-NK-NP.....	12	4448-GSC3R-NK.....	39	464-SC1-NK-NP.....	9
2448WB.....	30	36366-TC3R.....	23	4448-GSC3R-NK-NP.....	39	464-SC1-NP.....	9
303010-SC1-NK.....	12	36368-SC1.....	12	444-SC1.....	9	464-SC3R.....	18
303010-SC1-NK-NP.....	12	36368-SC1-NK.....	12	444-SC1-NK.....	9	464-SC3R-NK.....	18
303010-SC3R.....	20	36368-SC1-NK-NP.....	12	444-SC1-NK-NP.....	9	46XSC1.....	12
303010-SC3R-NK.....	20	36368-SC3R.....	20	444-SC3R.....	18	46XSC3R.....	20
303010-SC3R-NK-NP.....	20	3636FLC.....	28	444-SC3R-NK.....	18	483616-CT3R.....	24
303012-SC1-NK.....	12	3636TFLC.....	26	444-SC3R-NK-NP.....	18	484812-CT3R.....	24
303012-SC1-NK-NP.....	12	3636TSC.....	27	4460-GHC1.....	36	484812-SC1-NK.....	12
303012-SC3R.....	20	3636WB.....	30	4460-GHC1-NK.....	36	48486-SC1-NK.....	12
303012-SC3R-NK-NP.....	20	3636XSC1.....	12	4460-GSC1.....	32	4848TFLC.....	26
303012-TC3R.....	23	364812-TC3R.....	23	4460-GSC1-NK.....	32	4848TSC.....	27
303012-WSC2.....	25	364816-SC3R-NK.....	20	4460-GSC1-NK-NP.....	32	4848WB.....	30
30306-SC1-NK.....	12	364816-TC3R.....	23	4460-GSC3R.....	39	4848XSC1.....	12
30306-SC1-NK-NP.....	12	36486-SC1-NK.....	12	4460-GSC3R-NK.....	39	4X12GSC1.....	34
30306-SC3R.....	19	3648FLC.....	28	4460-GSC3R-NK-NP.....	39	4X18GSC1.....	34
30306-SC3R-NK.....	20	3648TFLC.....	26	4466GR.....	44	4X24GSC1.....	34
30308-LC1.....	16	3648TSC.....	27	4472-GHC1-NK.....	36	4X36GSC1.....	34
30308-SC1-NK.....	12	3648WB.....	30	4472-GSC1.....	32	4X48GSC1.....	34
30308-SC1-NK-NP.....	12	3648XSC1.....	12	4472-GSC1-NK.....	32	4X60GSC1.....	34
30308-SC3R.....	20	44120-GHC1.....	36	4472-GSC1-NK-NP.....	32	4X72GSC1.....	34
30308-SC3R-NK.....	20	44120-GHC1-NK.....	36	4472-GSC3R.....	39	606013-CT3R.....	24
3030FLC.....	28	44120-GSC1.....	32	4472-GSC3R-NK.....	39	6124-SC1.....	9
3030TFLC.....	26	44120-GSC1-NK.....	32	4472-GSC3R-NK-NP.....	39	6124-SC1-NK.....	9
3030TSC.....	27	44120-GSC1-NK-NP.....	32	4496-GHC1-NK.....	36	6124-SC3R.....	18
3030XSC1.....	12	44120-GSC3R.....	39	4496-GSC1.....	32	6126-SC1.....	9
303610-SC1-NK-NP.....	12	4412-GHC1.....	36	4496-GSC1-NK.....	32	6126-SC1-NK.....	9
303612-SC1-NK.....	12	4412-GHC1-NK.....	36	4496-GSC3R.....	39	612FLC.....	28
303612-SC1-NK-NP.....	12	4412-GSC1.....	32	44FLC.....	28	612XSC1.....	12
303612-SC3R-NK.....	20	4412-GSC1-NK.....	32	44GC.....	44	66120-GHC1.....	36
303612-TC3R.....	23	4412-GSC1-NK-NP.....	32	44GCU.....	44	66120-GHC1-NK.....	36
30366-LC1.....	16	4412-GSC3R.....	38	44GE.....	43	66120-GHC1-NK-NP.....	36
30366-SC1-NK.....	12	4412-GSC3R-NK.....	38	44GE-NK.....	43	66120-GHC1-NP.....	36
30366-SC1-NK-NP.....	12	4412-GSC3R-NK-NP.....	38	44GE-NK-NP.....	43	66120-GSC1.....	33
30368-SC1-NK.....	12	4418-GSC1.....	32	44GE-NP.....	43	66120-GSC1-NK.....	33
30368-SC1-NK-NP.....	12	4418-GSC1-NK.....	32	44GEU.....	43	66120-GSC1-NK-NP.....	33
3036FLC.....	28	4418-GSC1-NK-NP.....	32	44GEU-NK-NP.....	43	66120-GSC1-NP.....	33
3036TFLC.....	26	4418-GSC3R.....	38	44GF.....	45	66120-GSC3R.....	39
3036TSC.....	27	4418-GSC3R-NK.....	38	44GFE.....	43	66120-GSC3R-NK.....	39
3036WB.....	30	4424-GHC1.....	36	44GFE-NK.....	43	6612-GHC1.....	36
3036XSC1.....	12	4424-GHC1-NK.....	36	44GFL90IS.....	46	6612-GHC1-NK.....	36
363010-CT3R.....	24	4424-GSC1.....	32	44GFL90OS.....	46	6612-GHC1-NP.....	36
363010-TC3R.....	23	4424-GSC1-NK.....	32	44GFL90S.....	46	6612-GSC1.....	32
363016-CT3R.....	24	4424-GSC1-NK-NP.....	32	44GF-NP.....	45	6612-GSC1-NK.....	32
363610-CT3R.....	24	4424-GSC3R.....	38	44GFT.....	45	6612-GSC1-NK-NP.....	32
363610-SC1-NK.....	12	4424-GSC3R-NK.....	38	44GH.....	44	6612-GSC3R.....	39
363610-SC1-NK-NP.....	12	4424-GSC3R-NK-NP.....	39	44GH-NP.....	44	6612-GSC3R-NK.....	39
363612-CT3R.....	24	4436-GHC1.....	36	44GT.....	45	6612-GSC3R-NK-NP.....	39
363612-SC1-NK.....	12	4436-GHC1-NK.....	36	44GTF.....	45	6618-GSC1.....	32
363612-SC1-NK-NP.....	12	4436-GSC1.....	32	44GT-NP.....	45	6618-GSC1-NK.....	32
363612-SC3R.....	20	4436-GSC1-NK.....	32	44GX.....	42	6618-GSC1-NK-NP.....	32
363612-SC3R-NK.....	20	4436-GSC1-NK-NP.....	32	44L45C.....	47	6618-GSC3R.....	39
363612-SC3R-NK-NP.....	20	4436-GSC3R.....	39	44L45S.....	47	6618-GSC3R-NK.....	39
363612-TC3R.....	23	4436-GSC3R-NK.....	39	44L90C.....	47	6618-GSC3R-NK-NP.....	39
363612-WSC2.....	25	4436-GSC3R-NK-NP.....	39	44L90C-NP.....	47	6624-GHC1.....	36
363616-CT3R.....	24	4448-GHC1.....	36	44L90S.....	47	6624-GHC1-NK.....	36
363616-TC3R.....	23	4448-GHC1-NK.....	36	44L90S-NP.....	47	6624-GSC1.....	32
363618-SC1-NK.....	12	4448-GSC1.....	32	44XSC1.....	12	6624-GSC1-NK.....	32
363618-SC3R-NK.....	20	4448-GSC1-NK.....	32	44XSC3R.....	20	6624-GSC1-NK-NP.....	32
36364-SC1-NK.....	12	4448-GSC1-NK-NP.....	32	464-SC1.....	9	6624-GSC3R.....	39



Please consult serving utility for their requirements prior to ordering or installing, as specifications and approvals vary by utility, and may require local electrical inspector approval. All installations must be installed by a licensed electrician and must comply with all national and local codes, laws and regulations. Milbank reserves the right to make changes in specifications and features shown without notice or obligation.



6624-GSC3R-NK.....	39	6672-GSC3R.....	39	686-SC1-NP.....	9	8812-GSC1-NK-NP.....	33
6624-GSC3R-NK-NP.....	39	6672-GSC3R-NK.....	39	686-SC3R.....	18	8812-GSC3R.....	39
6636-GHC1.....	36	6672-GSC3R-NK-NP.....	39	686-SC3R-NK.....	18	8812-GSC3R-NK.....	40
6636-GHC1-NK.....	36	6688GR.....	44	68XSC1.....	12	8812-GSC3R-NK-NP.....	40
6636-GSC1.....	32	6696-GSC1.....	33	68XSC3R.....	20	8818-GHC1-NK.....	36
6636-GSC1-NK.....	32	6696-GSC1-NK.....	33	6X12GSC1.....	34	8818-GSC1.....	33
6636-GSC1-NK-NP.....	32	6696-GSC1-NK-NP.....	33	6X18GSC1.....	34	8818-GSC1-NK.....	33
6636-GSC3R.....	39	6696-GSC1-NP.....	33	6X24GSC1.....	34	8818-GSC3R.....	40
6636-GSC3R-NK.....	39	6696-GSC3R.....	39	6X36GSC1.....	34	8818-GSC3R-NK.....	40
6636-GSC3R-NK-NP.....	39	6696-GSC3R-NK.....	39	6X48GSC1.....	34	8818-GSC3R-NK-NP.....	40
663-SC1.....	9	6696-GSC3R-NK-NP.....	39	6X60GSC1.....	34	8824-GHC1.....	36
663-SC1-NK.....	9	66FLC.....	28	6X72GSC1.....	34	8824-GHC1-NK.....	36
663-SC1-NK-NP.....	9	66GC.....	44	8104-LC1.....	16	8824-GSC1.....	33
6648-GHC1.....	36	66GCU.....	44	8104-SC1.....	9	8824-GSC1-NK.....	33
6648-GHC1-NK.....	36	66GE.....	43	8104-SC1-NK.....	9	8824-GSC1-NK-NP.....	33
6648-GHC1-NP.....	36	66GE-NK.....	43	8104-SC1-NK-NP.....	9	8824-GSC3R.....	40
6648-GSC1.....	32	66GE-NK-NP.....	43	8104-SC1-NP.....	9	8824-GSC3R-NK.....	40
6648-GSC1-NK.....	32	66GE-NP.....	43	8104-SC3R.....	18	8824-GSC3R-NK-NP.....	40
6648-GSC1-NK-NP.....	32	66GEU.....	43	8104-SC3R-NK.....	18	8836-GHC1.....	36
6648-GSC3R.....	39	66GEU-NK.....	43	8104-WSC2.....	25	8836-GHC1-NK.....	37
6648-GSC3R-NK.....	39	66GEU-NK-NP.....	43	8106-LC1.....	16	8836-GSC1.....	33
6648-GSC3R-NK-NP.....	39	66GF.....	45	8106-SC1.....	9	8836-GSC1-NK.....	33
664-HC1.....	14	66GFE.....	43	8106-SC1-NK.....	9	8836-GSC1-NK-NP.....	33
664-HC1-NK.....	14	66GFL90IS.....	46	8106-SC1-NK-NP.....	9	8836-GSC3R.....	40
664-HC1-NK-NP.....	14	66GFL90OS.....	46	8106-SC1-NP.....	9	8836-GSC3R-NK.....	40
664-HC3R.....	21	66GFL90OS-NP.....	46	8106-SC3R.....	18	8836-GSC3R-NK-NP.....	40
664-LC1.....	16	66GFL90S.....	46	8106-SC3R-NK.....	18	8848-GHC1.....	37
664-SC1.....	9	66GF-NP.....	45	8106-SC3R-NK-NP.....	18	8848-GHC1-NK.....	37
664-SC1-NK.....	9	66GFT.....	45	8106-TC3R.....	23	8848-GSC1.....	33
664-SC1-NK-NP.....	9	66GFT-NP.....	45	810FLC.....	28	8848-GSC1-NK.....	33
664-SC1-NP.....	9	66GH.....	44	810XSC1.....	12	8848-GSC1-NK-NP.....	33
664-SC3R.....	18	66GH-NP.....	44	810XSC3R.....	20	8848-GSC3R.....	40
664-SC3R-NK.....	18	66GT.....	45	8124-HC1-NK.....	14	8848-GSC3R-NK.....	40
664-SC3R-NK-NP.....	18	66GTF.....	45	8124-SC1.....	9	8848-GSC3R-NK-NP.....	40
664-SC3R-NP.....	18	66GT-NP.....	45	8124-SC1-NK.....	9	884-HC1.....	14
664-TC3R.....	23	66GX.....	42	8124-SC1-NK-NP.....	9	884-HC1-NK.....	14
664-WSC2.....	25	66L45C.....	47	8124-SC3R.....	18	884-HC1-NP.....	14
6660-GHC1.....	36	66L45C-NP.....	47	8124-SC3R-NK.....	18	884-HC3R.....	21
6660-GHC1-NK.....	36	66L45S.....	47	8126-SC1.....	9	884-LC1.....	16
6660-GHC1-NP.....	36	66L45S-NP.....	47	8126-SC1-NK.....	9	884-SC1.....	9
6660-GSC1.....	32	66L90C.....	47	8126-SC1-NK-NP.....	9	884-SC1-NK.....	9
6660-GSC1-NK.....	32	66L90C-NP.....	47	8126-SC3R.....	18	884-SC1-NK-NP.....	9
6660-GSC1-NK-NP.....	32	66L90S.....	47	8126-SC3R-NK.....	18	884-SC3R.....	18
6660-GSC3R.....	39	66L90S-NP.....	47	812TFLC.....	26	884-SC3R-NK.....	18
6660-GSC3R-NK.....	39	66XSC1.....	12	812TSC.....	27	884-SC3R-NK-NP.....	18
6660-GSC3R-NK-NP.....	39	66XSC3R.....	20	812WB.....	30	884-SC3R-NP.....	18
666-HC1.....	14	684-HC1.....	14	812XSC1.....	12	884-WSC2.....	25
666-HC1-NK.....	14	684-HC1-NK.....	14	881010GR.....	44	8860-GHC1.....	37
666-SC1.....	9	684-LC1.....	16	88120-GHC1.....	37	8860-GHC1-NK.....	37
666-SC1-NK.....	9	684-SC1.....	9	88120-GHC1-NK.....	37	8860-GSC1.....	33
666-SC1-NK-NP.....	9	684-SC1-NK.....	9	88120-GSC1.....	33	8860-GSC1-NK.....	33
666-SC1-NP.....	9	684-SC1-NK-NP.....	9	88120-GSC1-NK.....	33	8860-GSC1-NK-NP.....	33
666-SC3R.....	18	684-SC1-NP.....	9	88120-GSC1-NK-NP.....	33	8860-GSC3R.....	40
666-SC3R-NK.....	18	684-SC3R.....	18	88120-GSC3R.....	40	8860-GSC3R-NK.....	40
666-SC3R-NK-NP.....	18	684-SC3R-NK.....	18	88120-GSC3R-NK.....	40	8860-GSC3R-NK-NP.....	40
666-WSC2.....	25	684-SC3R-NK-NP.....	18	88120-GSC3R-NK-NP.....	40	886-HC1.....	14
6672-GHC1.....	36	684-TC3R.....	23	881212GR.....	44	886-HC1-NK.....	14
6672-GHC1-NK.....	36	684-WSC2.....	25	8812-GHC1.....	36	886-HC1-NP.....	14
6672-GSC1.....	33	686-SC1.....	9	8812-GHC1-NK.....	36	886-SC1.....	9
6672-GSC1-NK.....	33	686-SC1-NK.....	9	8812-GSC1.....	33	886-SC1-NK.....	9
6672-GSC1-NK-NP.....	33	686-SC1-NK-NP.....	9	8812-GSC1-NK.....	33	886-SC1-NK-NP.....	9

Please consult serving utility for their requirements prior to ordering or installing, as specifications and approvals vary by utility, and may require local electrical inspector approval. All installations must be installed by a licensed electrician and must comply with all national and local codes, laws and regulations. Milbank reserves the right to make changes in specifications and features shown without notice or obligation.



886-SC1-NP.....	9	88XSC3R.....	20	A-86SBP.....	30	CC14126JIC4XS .....	57
886-SC3R.....	18	8X12GSC1.....	34	A-88SBP.....	30	CC14126JIC4XZ .....	57
886-SC3R-NK .....	18	8X18GSC1 .....	34	A-8P6R.....	29	CC14128JIC4 .....	57
886-SC3R-NK-NP .....	18	8X24GSC1 .....	34	A-8P8R.....	29	CC14128JIC4XS .....	57
886-SC3R-NP.....	18	8X36GSC1.....	34	A-BK1060 .....	50	CC14128JIC4XZ .....	57
886-TC3R.....	23	8X48GSC1.....	34	A-BK1260 .....	50	CC1486JIC4 .....	57
886-WSC2 .....	25	8X60GSC1.....	34	A-BK460 .....	50	CC1486JIC4XS .....	57
8872-GHC1 .....	37	8X72GSC1.....	34	A-BK660 .....	50	CC1486JIC4XZ .....	57
8872-GHC1-NK .....	37	A-1010SBP.....	30	A-BK860 .....	50	CC16106JIC4 .....	57
8872-GSC1 .....	33	A-108SBP.....	30	A-GP .....	50	CC16106JIC4XS .....	57
8872-GSC1-NK .....	33	A-10P8R.....	29	A-HS050 .....	48	CC16106JIC4XZ .....	57
8872-GSC1-NK-NP.....	33	A-1210SBP.....	30	A-HS050XS .....	48	CC161410JIC4 .....	57
8872-GSC3R.....	40	A-1212SBP.....	30	A-HS075 .....	48	CC161410JIC4XS .....	57
8872-GSC3R-NK.....	40	A-12P10R.....	29	A-HS075XS .....	48	CC161410JIC4XZ .....	57
8872-GSC3R-NK-NP.....	40	A-12P12R.....	29	A-HS100 .....	48	CC16146JIC4 .....	57
888-SC1.....	9	A-12P12W .....	29	A-HS100XS .....	48	CC16146JIC4XS .....	57
888-SC1-NK.....	9	A-1612SBP.....	30	A-HS125 .....	48	CC16146JIC4XZ .....	57
888-SC1-NK-NP .....	9	A-1616SBP.....	30	A-HS125XS .....	48	CC16148JIC4 .....	57
888-SC1-NP.....	9	A-16P12 .....	29	A-HS150 .....	48	CC16148JIC4XS .....	57
888-SC3R.....	18	A-16P12W .....	29	A-HS150XS .....	48	CC16148JIC4XZ .....	57
888-SC3R-NK .....	18	A-16P16.....	29	A-HS200 .....	48	CC443JIC4 .....	57
888-WSC2 .....	25	A-16P16W .....	29	A-HS200XS .....	48	CC443JIC4XS .....	57
8896-GSC1 .....	33	A-1818SBP.....	30	A-HS250 .....	48	CC443JIC4XZ .....	57
8896-GSC1-NK.....	33	A-18P12 .....	29	A-HS300 .....	48	CC444JIC4 .....	57
8896-GSC1-NK-NP.....	33	A-18P18 .....	29	A-HS350 .....	48	CC444JIC4XS .....	57
8896-GSC3R.....	40	A-18P18W .....	29	A-HS400 .....	48	CC444JIC4XZ .....	57
8896-GSC3R-NK.....	40	A-18P24W .....	29	A-HSPB .....	48	CC643JIC4 .....	57
8896-GSC3R-NK-NP.....	40	A-2012SBP.....	30	A-HSPBM .....	48	CC643JIC4XS .....	57
88FLC .....	28	A-2016SBP.....	30	A-HSPBMXS .....	48	CC643JIC4XZ .....	57
88GC .....	44	A-2020SBP.....	30	A-HSPBXS .....	48	CC644JIC4 .....	57
88GCU.....	44	A-20P16.....	29	A-TC3RMFK10.....	50	CC644JIC4XS .....	57
88GE.....	43	A-20P20 .....	29	A-TC3RMFK12.....	50	CC644JIC4XZ .....	57
88GE-NK .....	43	A-20P20W .....	29	A-TC3RMFK16.....	50	CC664JIC4 .....	57
88GE-NK-NP .....	43	A-20P24W .....	29	A-TC3RMFK18.....	50	CC664JIC4XS .....	57
88GE-NP.....	43	A-2420SBP.....	30	A-TC3RMFK24.....	50	CC664JIC4XZ .....	57
88GEU .....	43	A-2424SBP.....	30	A-TC3RMFK6.....	50	CC666JIC4 .....	57
88GEU-NK-NP.....	43	A-24P18 .....	29	A-TC3RMFK8.....	50	CC666JIC4XS .....	57
88GF.....	45	A-24P20 .....	29	A-TC3RMFKLG .....	50	CC666JIC4XZ .....	57
88GFE.....	43	A-24P24 .....	29	A-WP .....	50	CC863JIC4 .....	57
88GFE-NK .....	43	A-24P24W .....	29	CC10106JIC4 .....	57	CC863JIC4XS .....	57
88GFL90IS .....	46	A-3024SBP.....	30	CC10106JIC4XS .....	57	CC863JIC4XZ .....	57
88GFL90OS .....	46	A-3030SBP.....	30	CC10106JIC4XZ .....	57	CC866JIC4 .....	57
88GFL90S.....	46	A-30P24.....	29	CC1084JIC4 .....	57	CC866JIC4XS .....	57
88GFL90S-NP.....	46	A-30P24W .....	29	CC1084JIC4XS .....	57	CC866JIC4XZ .....	57
88GF-NP.....	45	A-30P30 .....	29	CC1084JIC4XZ .....	57	CC884JIC4 .....	57
88GFT.....	45	A-30P30W .....	29	CC1086JIC4 .....	57	CC884JIC4XS .....	57
88GH .....	44	A-3624SBP.....	30	CC1086JIC4XS .....	57	CC884JIC4XZ .....	57
88GT.....	45	A-3630SBP.....	30	CC1086JIC4XZ .....	57	Covers .....	12
88GTF.....	45	A-36P24 .....	29	CC12105JIC4 .....	57	HC10106JIC12 .....	52
88GT-NP.....	45	A-36P24W .....	29	CC12105JIC4XS .....	57	HC10106JIC12XS .....	52
88GX .....	42	A-36P30.....	29	CC12105JIC4XZ .....	57	HC10106JIC12XZ .....	52
88L45C .....	47	A-36P30W .....	29	CC12108JIC4 .....	57	HC10106JIC4 .....	59
88L45C-NP.....	47	A-36P36 .....	29	CC12108JIC4XS .....	57	HC10106JIC4XS .....	59
88L45S.....	47	A-36P36W .....	29	CC12108JIC4XZ .....	57	HC10106JIC4XZ .....	59
88L90C .....	47	A-48P36W .....	29	CC12126JIC4 .....	57	HC1084JIC12 .....	52
88L90C-NP .....	47	A-48P48.....	29	CC12126JIC4XS .....	57	HC1084JIC12XS .....	52
88L90S.....	47	A-48P48W .....	29	CC12126JIC4XZ .....	57	HC1084JIC12XZ .....	52
88L90S-NP.....	47	A-60P60.....	29	CC1264JIC4 .....	57	HC1084JIC4 .....	59
88TSC.....	27	A-60P60W .....	29	CC1264JIC4XS .....	57	HC1084JIC4XS .....	59
88WB.....	30	A-66SBP.....	30	CC1264JIC4XZ .....	57	HC1084JIC4XZ .....	59
88XSC1.....	12	A-6P6R.....	29	CC14126JIC4 .....	57	HC1086JIC12 .....	52

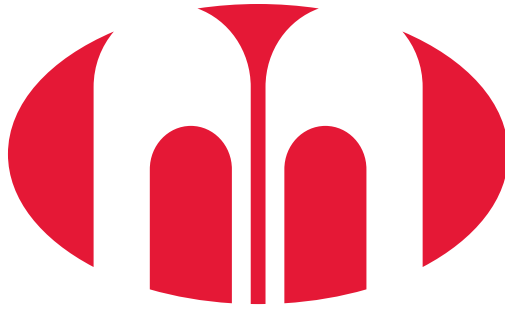


Please consult serving utility for their requirements prior to ordering or installing, as specifications and approvals vary by utility, and may require local electrical inspector approval. All installations must be installed by a licensed electrician and must comply with all national and local codes, laws and regulations. Milbank reserves the right to make changes in specifications and features shown without notice or obligation.

HC1086JIC12XS ..... 52	HC16146JIC4XZ ..... 59	HC666JIC12XZ ..... 52	SC16148JIC4 ..... 55
HC1086JIC12XZ ..... 52	HC16148JIC12 ..... 59	HC666JIC4 ..... 59	SC16148JIC4XS ..... 55
HC1086JIC4 ..... 59	HC16148JIC12XS ..... 52	HC666JIC4XS ..... 59	SC16148JIC4XZ ..... 55
HC1086JIC4XS ..... 59	HC16148JIC12XZ ..... 52	HC666JIC4XZ ..... 59	SC443JIC4 ..... 55
HC1086JIC4XZ ..... 59	HC16148JIC4 ..... 59	HC863JIC12 ..... 52	SC443JIC4XS ..... 55
HC12105JIC12 ..... 52	HC16148JIC4XS ..... 59	HC863JIC12XS ..... 52	SC443JIC4XZ ..... 55
HC12105JIC12XS ..... 52	HC16148JIC4XZ ..... 59	HC863JIC12XZ ..... 52	SC444JIC4 ..... 55
HC12105JIC12XZ ..... 52	HC20167JIC12 ..... 53	HC863JIC4 ..... 59	SC444JIC4XS ..... 55
HC12105JIC4 ..... 59	HC20169JIC12 ..... 53	HC863JIC4XS ..... 59	SC444JIC4XZ ..... 55
HC12105JIC4XS ..... 59	HC20207JIC12 ..... 53	HC863JIC4XZ ..... 59	SC643JIC4 ..... 55
HC12105JIC4XZ ..... 59	HC20209JIC12 ..... 53	HC866JIC12 ..... 52	SC643JIC4XS ..... 55
HC12108JIC12 ..... 52	HC24207JIC12 ..... 53	HC866JIC12XS ..... 52	SC643JIC4XZ ..... 55
HC12108JIC12XS ..... 52	HC24209JIC12 ..... 53	HC866JIC12XZ ..... 52	SC644JIC4 ..... 55
HC12108JIC12XZ ..... 52	HC242411JIC12 ..... 53	HC866JIC4 ..... 59	SC644JIC4XS ..... 55
HC12108JIC4 ..... 59	HC24247JIC12 ..... 53	HC866JIC4XS ..... 59	SC644JIC4XZ ..... 55
HC12108JIC4XS ..... 59	HC24249JIC12 ..... 53	HC866JIC4XZ ..... 59	SC664JIC4 ..... 55
HC12108JIC4XZ ..... 59	HC30207JIC12 ..... 53	HC884JIC12 ..... 52	SC664JIC4XS ..... 55
HC12126JIC12 ..... 52	HC30209JIC12 ..... 53	HC884JIC12XS ..... 52	SC664JIC4XZ ..... 55
HC12126JIC12XS ..... 52	HC302413JIC12 ..... 53	HC884JIC12XZ ..... 52	SC666JIC4 ..... 55
HC12126JIC12XZ ..... 52	HC30247JIC12 ..... 53	HC884JIC4 ..... 59	SC666JIC4XS ..... 55
HC12126JIC4 ..... 59	HC30249JIC12 ..... 53	HC884JIC4XS ..... 59	SC666JIC4XZ ..... 55
HC12126JIC4XS ..... 59	HC362411JIC12 ..... 53	HC884JIC4XZ ..... 59	SC863JIC4 ..... 55
HC12126JIC4XZ ..... 59	HC36247JIC12 ..... 53	SC10106JIC4 ..... 55	SC863JIC4XS ..... 55
HC1264JIC12 ..... 52	HC36249JIC12 ..... 53	SC10106JIC4XS ..... 55	SC863JIC4XZ ..... 55
HC1264JIC12XS ..... 52	HC363013JIC12 ..... 53	SC10106JIC4XZ ..... 55	SC866JIC4 ..... 55
HC1264JIC12XZ ..... 52	HC36309JIC12 ..... 53	SC1084JIC4 ..... 55	SC866JIC4XS ..... 55
HC1264JIC4 ..... 59	HC42309JIC12 ..... 53	SC1084JIC4XS ..... 55	SC866JIC4XZ ..... 55
HC1264JIC4XS ..... 59	HC42369JIC12 ..... 53	SC1084JIC4XZ ..... 55	SC884JIC4 ..... 55
HC1264JIC4XZ ..... 59	HC443JIC12 ..... 52	SC1086JIC4 ..... 55	SC884JIC4XS ..... 55
HC14126JIC12 ..... 52	HC443JIC12XS ..... 52	SC1086JIC4XS ..... 55	SC884JIC4XZ ..... 55
HC14126JIC12XS ..... 52	HC443JIC12XZ ..... 52	SC1086JIC4XZ ..... 55	
HC14126JIC12XZ ..... 52	HC443JIC4 ..... 59	SC12105JIC4 ..... 55	
HC14126JIC4 ..... 59	HC443JIC4XS ..... 59	SC12105JIC4XS ..... 55	
HC14126JIC4XS ..... 59	HC443JIC4XZ ..... 59	SC12105JIC4XZ ..... 55	
HC14126JIC4XZ ..... 59	HC444JIC12 ..... 52	SC12108JIC4 ..... 55	
HC14128JIC12 ..... 52	HC444JIC12XS ..... 52	SC12108JIC4XS ..... 55	
HC14128JIC12XS ..... 52	HC444JIC12XZ ..... 52	SC12108JIC4XZ ..... 55	
HC14128JIC12XZ ..... 52	HC444JIC4 ..... 59	SC12126JIC4 ..... 55	
HC14128JIC4 ..... 59	HC444JIC4XS ..... 59	SC12126JIC4XS ..... 55	
HC14128JIC4XS ..... 59	HC444JIC4XZ ..... 59	SC12126JIC4XZ ..... 55	
HC14128JIC4XZ ..... 59	HC483611JIC12 ..... 53	SC1264JIC4 ..... 55	
HC1486JIC12 ..... 52	HC643 JIC4XS ..... 59	SC1264JIC4XS ..... 55	
HC1486JIC12XS ..... 52	HC643JIC12 ..... 52	SC1264JIC4XZ ..... 55	
HC1486JIC12XZ ..... 52	HC643JIC12XS ..... 52	SC14126JIC4 ..... 55	
HC1486JIC4 ..... 59	HC643JIC12XZ ..... 52	SC14126JIC4XS ..... 55	
HC1486JIC4XS ..... 59	HC643JIC4 ..... 59	SC14126JIC4XZ ..... 55	
HC1486JIC4XZ ..... 59	HC643JIC4XZ ..... 59	SC14128JIC4 ..... 55	
HC16106JIC12 ..... 52	HC644JIC12 ..... 52	SC14128JIC4XS ..... 55	
HC16106JIC12XS ..... 52	HC644JIC12XS ..... 52	SC14128JIC4XZ ..... 55	
HC16106JIC12XZ ..... 52	HC644JIC12XZ ..... 52	SC1486JIC4 ..... 55	
HC16106JIC4 ..... 59	HC644JIC4 ..... 59	SC1486JIC4XS ..... 55	
HC16106JIC4XS ..... 59	HC644JIC4XS ..... 59	SC1486JIC4XZ ..... 55	
HC16106JIC4XZ ..... 59	HC644JIC4XZ ..... 59	SC16106JIC4 ..... 55	
HC161410JIC12 ..... 52	HC664JIC12 ..... 52	SC16106JIC4XS ..... 55	
HC161410JIC12XS ..... 52	HC664JIC12XS ..... 52	SC16106JIC4XZ ..... 55	
HC161410JIC12XZ ..... 52	HC664JIC12XZ ..... 52	SC161410JIC4 ..... 55	
HC16146JIC12 ..... 52	HC664JIC4 ..... 59	SC161410JIC4XS ..... 55	
HC16146JIC12XS ..... 52	HC664JIC4XS ..... 59	SC161410JIC4XZ ..... 55	
HC16146JIC12XZ ..... 52	HC664JIC4XZ ..... 59	SC16146JIC4 ..... 55	
HC16146JIC4 ..... 59	HC666JIC12 ..... 52	SC16146JIC4XS ..... 55	
HC16146JIC4XS ..... 59	HC666JIC12XS ..... 52	SC16146JIC4XZ ..... 55	

Please consult serving utility for their requirements prior to ordering or installing, as specifications and approvals vary by utility, and may require local electrical inspector approval. All installations must be installed by a licensed electrician and must comply with all national and local codes, laws and regulations. Milbank reserves the right to make changes in specifications and features shown without notice or obligation.





# MILBANK<sup>®</sup>

ENERGY AT WORK

