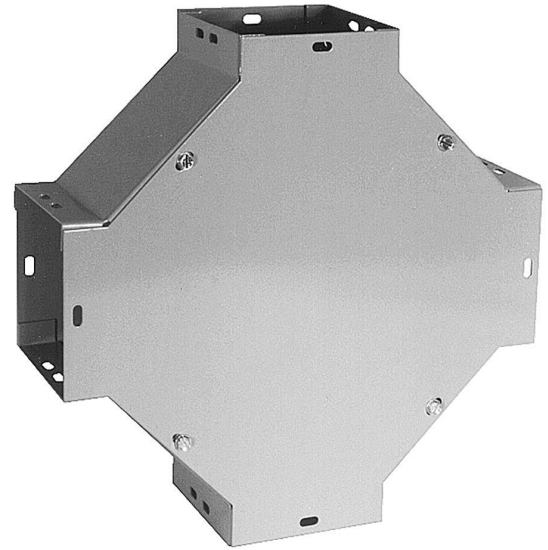




MILBANK[®]
ENERGY AT WORK



66GX

Catalog Number	66GX
Marketing Product Description	Wireway Cross Type 1 6x6 Screw Cover ANSI 61 Gray Steel
UPC	784572108516
Length (IN)	6.16
Width (IN)	14.25
Height (IN)	14.25
Weight (LB)	8.3
Brand Name	Milbank
Type	Wireway Cross
Application	Wireway Accessory
Standard	UL Listed
Cover Type	Screw Cover
Enclosure	Indoor Enclosure
Nominal Cross Section	6x6
Material	Steel
Finish	ANSI 61 Gray Powder Coat Finish
Consist Of	Fitting
Knockouts	False
NEMA Rating	Type 1

Please consult serving utility for their requirements prior to ordering or installing, as specifications and approvals vary by utility and may require local electrical inspector approval. All installations must be installed by a licensed electrician and must comply with all national and local codes, laws and regulations. Milbank reserves the right to make changes in specifications and features shown without notice or obligation.